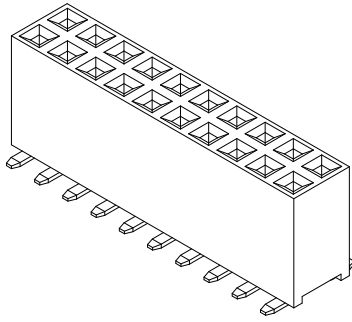
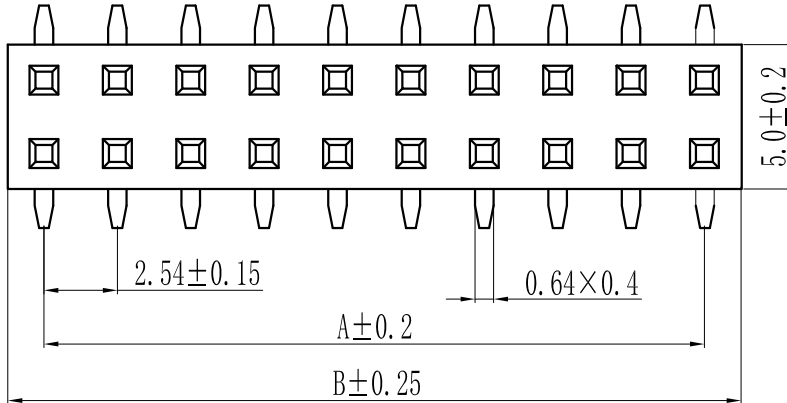


仅供参考

| | | |
|------|-----------------|--------------|
| REV. | REVISION RECORD | DATE |
| A0 | 新图面发行 | 2017. 06. 16 |

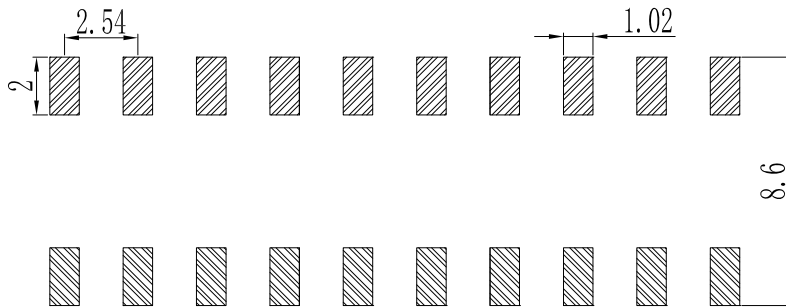
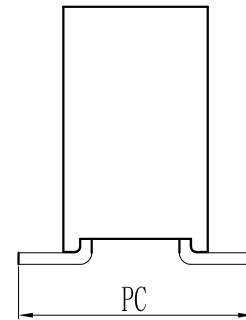
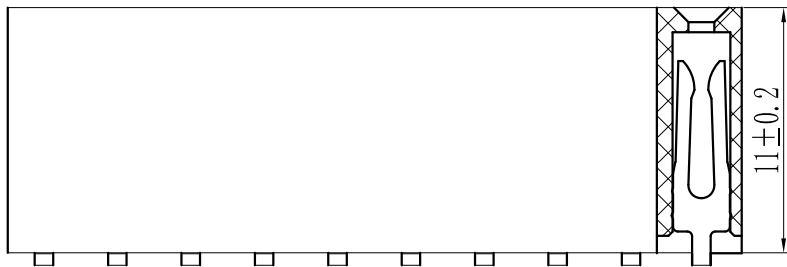


Specification:
 Current Rating : 3AMP
 Temperature Range : -40°Cto+105°C
 Contact Resistance : 20mΩ Max
 Insulation Resistance : 1000MΩ Min
 Withstanding Voltage : AC 1000V
 Material:
 Insulator : Polyester (UL94V-0)
 Standard:PBT/PA6T/LCP
 Contact: Bronze
 Plating : Au or Sn Over 50u" Ni



| |
|-----|
| PC |
| 7.1 |
| 8.0 |

| Pin数 | 尺寸A | 尺寸B |
|------|-------|--------|
| 2×2 | 2.54 | 5.58 |
| 2×3 | 5.08 | 8.12 |
| 2×4 | 7.62 | 10.66 |
| 2×5 | 10.16 | 13.20 |
| 2×6 | 12.70 | 15.74 |
| 2×7 | 15.24 | 18.28 |
| 2×8 | 17.78 | 20.82 |
| 2×9 | 20.32 | 23.36 |
| 2×10 | 22.86 | 25.90 |
| 2×11 | 25.40 | 28.44 |
| 2×12 | 27.94 | 30.98 |
| 2×13 | 30.48 | 33.52 |
| 2×14 | 33.02 | 36.06 |
| 2×15 | 35.56 | 38.60 |
| 2×16 | 38.10 | 41.14 |
| 2×17 | 40.64 | 43.68 |
| 2×18 | 43.18 | 46.22 |
| 2×19 | 45.72 | 48.76 |
| 2×20 | 48.26 | 51.30 |
| 2×21 | 50.80 | 53.84 |
| 2×22 | 53.34 | 56.38 |
| 2×23 | 55.88 | 58.92 |
| 2×24 | 58.42 | 61.46 |
| 2×25 | 60.96 | 64.00 |
| 2×26 | 63.50 | 66.54 |
| 2×27 | 66.04 | 69.08 |
| 2×28 | 68.58 | 71.62 |
| 2×29 | 71.12 | 74.16 |
| 2×30 | 73.66 | 76.70 |
| 2×31 | 76.20 | 79.24 |
| 2×32 | 78.74 | 81.78 |
| 2×33 | 81.28 | 84.32 |
| 2×34 | 83.82 | 86.86 |
| 2×35 | 86.36 | 89.40 |
| 2×36 | 88.90 | 91.94 |
| 2×37 | 91.44 | 94.48 |
| 2×38 | 93.98 | 97.02 |
| 2×39 | 96.52 | 99.56 |
| 2×40 | 99.06 | 102.10 |



PCB LAYOUT

| | | | | | | | | |
|----------|--------------------|-----------|---------------|-------|------|--|---|--------------------|
| | GENERAL TOLERANCES | | SCALE: 1:1 | NAME | DATE | 深圳市思拓展电子有限公司 SHENZHEN SINOTOP ELECTRONICS CO.,LTD 公司地址: www.szsituo.cn 公司电话: 0755-23765350 邮 箱: 2850175982@qq.com 公司传真: 0755-23765341 | PART. NO: ST-FH-254-0198 | |
| | LINEAR | ANGLES | APPROVED | | | | DWG. NO: | |
| | 0.0±0.30 | X° REF±6° | DESIGNER | | | | TITLE: Pitch2.54mm Female Header, Dual Row, Plastic Height 11.0mm, SMT Type (Y) | REV: A0 SHEET: 1/1 |
| | UNIT: MM | 0.00±0.20 | X° ±3° | DRAWN | 肖坤权 | | 2017.06.16 | |
| SIZE: A4 | 0.000±0.10 | X° X'±2° | | | | | | |