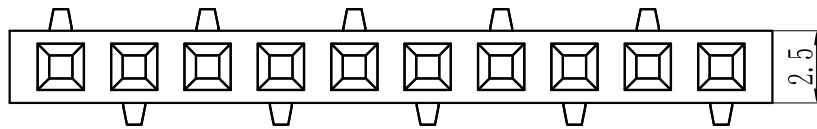
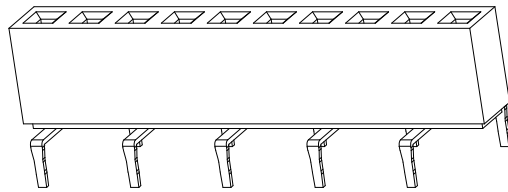


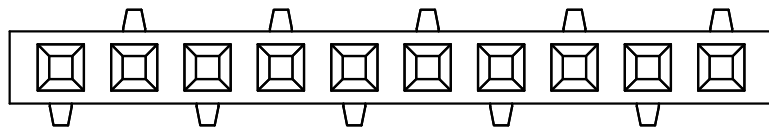
仅供参考

REV.	REVISION RECORD	DATE
A0	新图面发行	2017.06.16

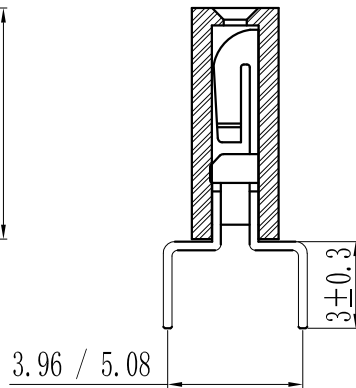
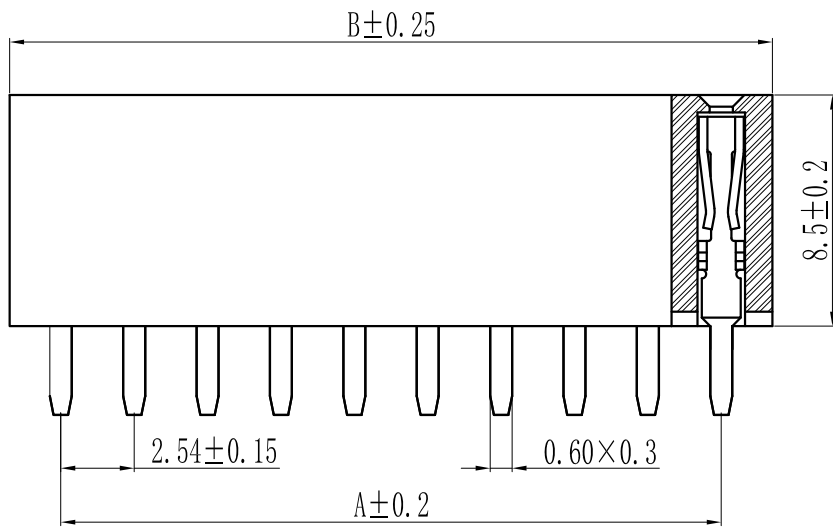
Specification:
 Current Rating : 3AMP
 Temperature Range : -40°Cto+105°C
 Contact Resistance : 20mΩ Max
 Insulation Resistance : 1000MΩ Min
 Withstanding Voltage : AC 1000V
 Material:
 Insulator : Polyester (UL94V-0)
 Standard:PBT/PA6T/LCP
 Contact: Bronze
 Plating : Au or Sn Over 50u" Ni



B Type

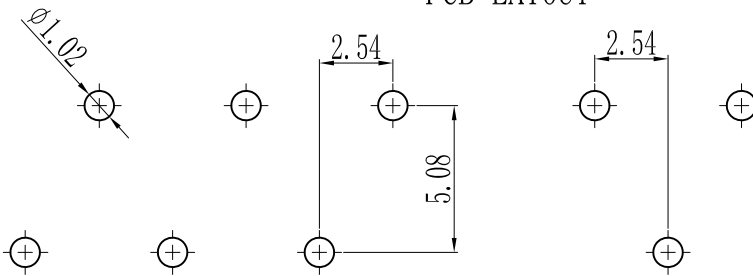


A Type



Pin数	尺寸A	尺寸B
1×2	2.54	5.58
1×3	5.08	8.12
1×4	7.62	10.66
1×5	10.16	13.20
1×6	12.70	15.74
1×7	15.24	18.28
1×8	17.78	20.82
1×9	20.32	23.36
1×10	22.86	25.90
1×11	25.40	28.44
1×12	27.94	30.98
1×13	30.48	33.52
1×14	33.02	36.06
1×15	35.56	38.60
1×16	38.10	41.14
1×17	40.64	43.68
1×18	43.18	46.22
1×19	45.72	48.76
1×20	48.26	51.30
1×21	50.80	53.84
1×22	53.34	56.38
1×23	55.88	58.92
1×24	58.42	61.46
1×25	60.96	64.00
1×26	63.50	66.54
1×27	66.04	69.08
1×28	68.58	71.62
1×29	71.12	74.16
1×30	73.66	76.70
1×31	76.20	79.24
1×32	78.74	81.78
1×33	81.28	84.32
1×34	83.82	86.86
1×35	86.36	89.40
1×36	88.90	91.94
1×37	91.44	94.48
1×38	93.98	97.02
1×39	96.52	99.56
1×40	99.06	102.10

PCB LAYOUT



A Type

B Type

	GENERAL TOLERANCES		SCALE: 1:1	NAME	DATE	深圳市思拓展电子有限公司 SHENZHEN SINOTOP ELECTRONICS CO.,LTD 公司网址: www.szsituo.cn 公司电话: 0755-23765350 邮 箱: 2850175982@qq.com 公司传真: 0755-23765341	PART. NO: ST-FH-254-0187
	LINEAR	ANGLES					APPROVED
UNIT: MM	0.00±0.20	X° ±3°	DESIGNER	TITLE: Pitch2.54mm Female Header, Single Row, Plastic Height 8.5mm, Bottom Entry Type(O)	REV: A0	SHEET: 1/1	
SIZE: A4	0.000±0.10	X° X' ±2°	DRAWN 肖坤权	2017.06.16			