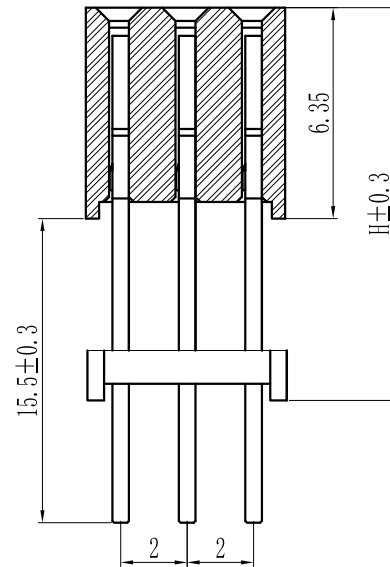
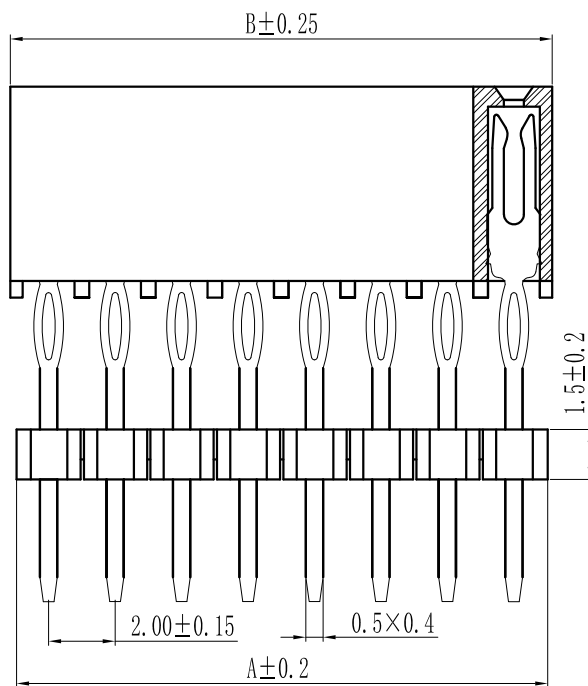
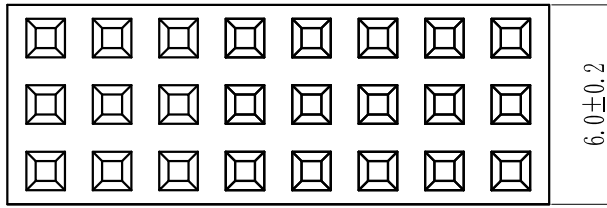


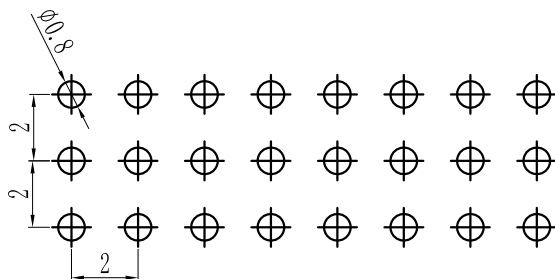
仅供参考

REV.	REVISION RECORD	DATE
A0	新图面发行	2017. 06. 16

Specification:
 Current Rating : 2AMP
 Temperature Range : -40°Cto+105°C
 Contact Resistance : 20mΩ Max
 Insulation Resistance : 1000MΩ Min
 Withstanding Voltage : AC 500V
 Material:
 Insulator : Polyester (UL94V-0)
 Standard:PA6T/LCP
 Contact: Bronze
 Plating : Au or Sn Over 50u" Ni



Pin数	尺寸A	尺寸B
3×3	4.0	6.3
3×4	6.0	8.3
3×5	8.0	10.3
3×6	10.0	12.3
3×7	12.0	14.3
3×8	14.0	16.3
3×9	16.0	18.3
3×10	18.0	20.3
3×11	20.0	22.3
3×12	22.0	24.3
3×13	24.0	26.3
3×14	26.0	28.3
3×15	28.0	30.3
3×16	30.0	32.3
3×17	32.0	34.3
3×18	34.0	36.3
3×19	36.0	38.3
3×20	38.0	40.3
3×21	40.0	42.3
3×22	42.0	44.3
3×23	44.0	46.3
3×24	46.0	48.3
3×25	48.0	50.3
3×26	50.0	52.3
3×27	52.0	54.3
3×28	54.0	56.3
3×29	56.0	58.3
3×30	58.0	60.3
3×31	60.0	62.3
3×32	62.0	64.3
3×33	64.0	66.3
3×34	66.0	68.3
3×35	68.0	70.3
3×36	70.0	72.3
3×37	72.0	74.3
3×38	74.0	76.3
3×39	76.0	78.3
3×40	78.0	80.3



PCB LAYOUT

	GENERAL TOLERANCES		SCALE: 1:1	NAME	DATE	深圳市思拓展电子有限公司 SHENZHEN SINOTOP ELECTRONICS CO.,LTD 公司网址: www.szsituo.cn 公司电话: 0755-23765350 邮 箱: 2850175982@qq.com 公司传真: 0755-23765341	PART. NO: ST-FH-200-0101
	LINEAR	ANGLES	APPROVED				DWG. NO:
UNIT: MM	0.0 ± 0.30	X° REF ± 6°	DESIGNER			TITLE: Pitch2.0mm Female Header, Triple Row, Plastic Height 6.35mm, Elevated DIP Type(Y)	REV: A0
SIZE: A4	0.000 ± 0.10	X° X' ± 2°	DRAWN	肖坤权	2017. 06. 16		SHEET: 1/1