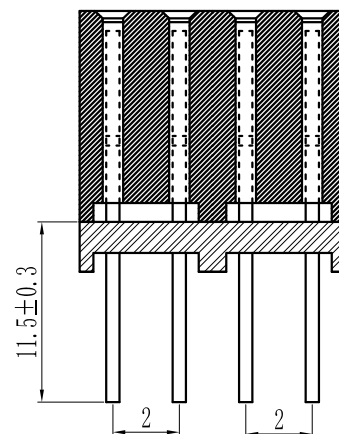
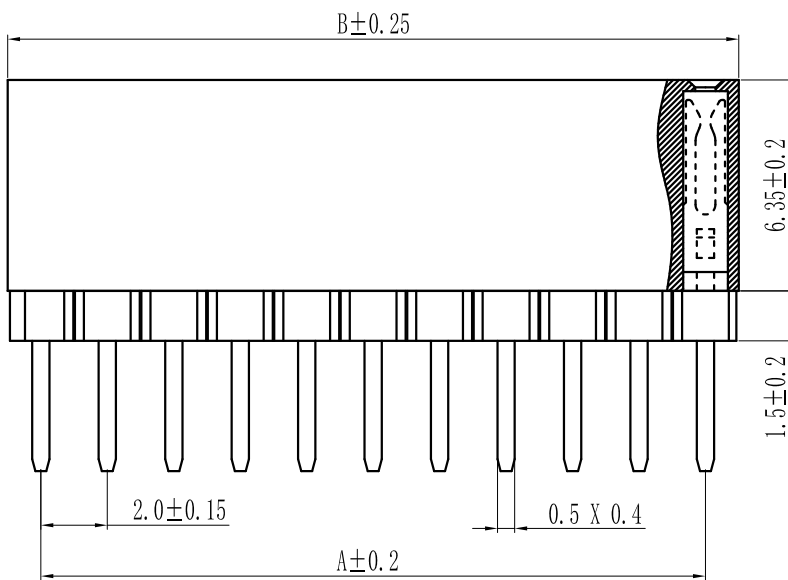
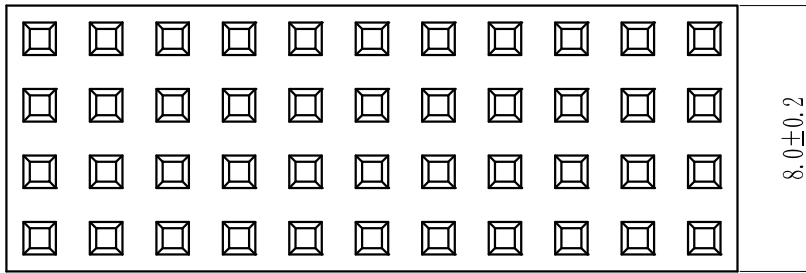


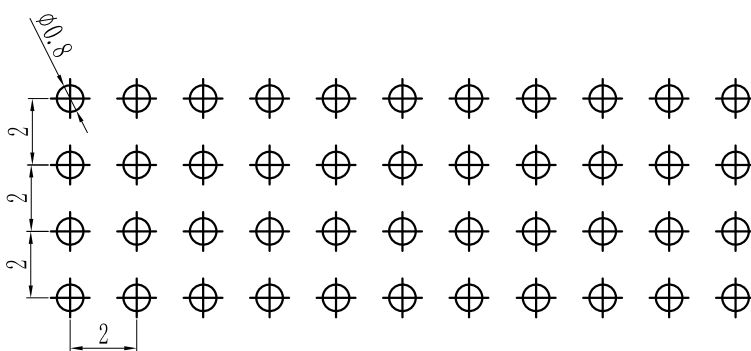
仅供参考

REV.	REVISION RECORD	DATE
A0	新图面发行	2017.06.16

Specification:  
 Current Rating : 2AMP  
 Temperature Range : -40°Cto+105°C  
 Contact Resistance : 20mΩ Max  
 Insulation Resistance : 1000MΩ Min  
 Withstanding Voltage : AC 500V  
 Material:  
 Insulator : Polyester (UL94V-0)  
 Standard:PA6T/LCP  
 Contact: Bronze  
 Plating : Au or Sn Over 50u" Ni



Pin数	尺寸A	尺寸B
4x2	2.0	4.5
4x3	4.0	6.5
4x4	6.0	8.5
4x5	8.0	10.5
4x6	10.0	12.5
4x7	12.0	14.5
4x8	14.0	16.5
4x9	16.0	18.5
4x10	18.0	20.5
4x11	20.0	22.5
4x12	22.0	24.5
4x13	24.0	26.5
4x14	26.0	28.5
4x15	28.0	30.5
4x16	30.0	32.5
4x17	32.0	34.5
4x18	34.0	36.5
4x19	36.0	38.5
4x20	38.0	40.5
4x21	40.0	42.5
4x22	42.0	44.5
4x23	44.0	46.5
4x24	46.0	48.5
4x25	48.0	50.5
4x26	50.0	52.5
4x27	52.0	54.5
4x28	54.0	56.5
4x29	56.0	58.5
4x30	58.0	60.5
4x31	60.0	62.5
4x32	62.0	64.5
4x33	64.0	66.5
4x34	66.0	68.5
4x35	68.0	70.5
4x36	70.0	72.5
4x37	72.0	74.5
4x38	74.0	76.5
4x39	76.0	78.5
4x40	78.0	80.5



PCB LAYOUT

	GENERAL TOLERANCES		SCALE: 1:1	NAME	DATE	深圳市思拓展电子有限公司 SHENZHEN SINOTOP ELECTRONICS CO.,LTD 公司地址: www.szsituo.cn      公司电话: 0755-23765350 邮 箱: 2850175982@qq.com      公司传真: 0755-23765341	PART. NO: ST-FH-200-0100	
	LINEAR	ANGLES					APPROVED	DWG. NO:
UNIT: MM	0.00±0.20	X° REF±6°	DESIGNER	TITLE: Pitch2.0mm Female Header, Quad Row, Plastic Height (6.35+1.5)mm, DIP Type (Y)		REV: A0	SHEET: 1/1	
SIZE: A4	0.000±0.10	X° X'±2°	DRAWN	肖坤权	2017.06.16			