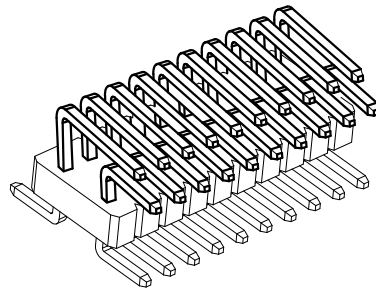
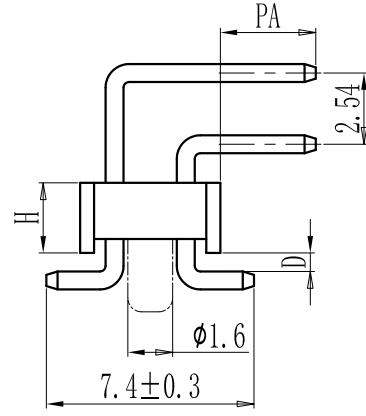
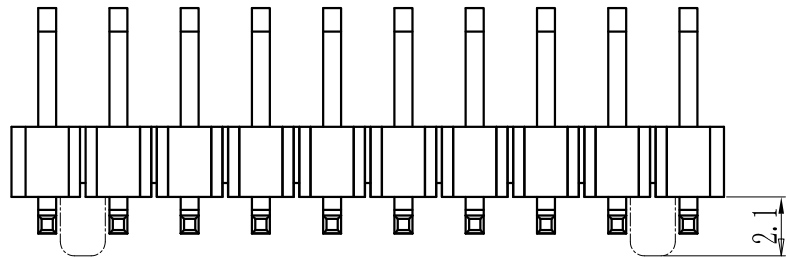
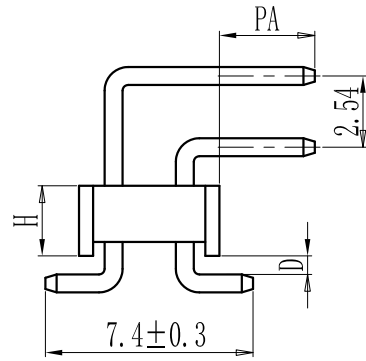
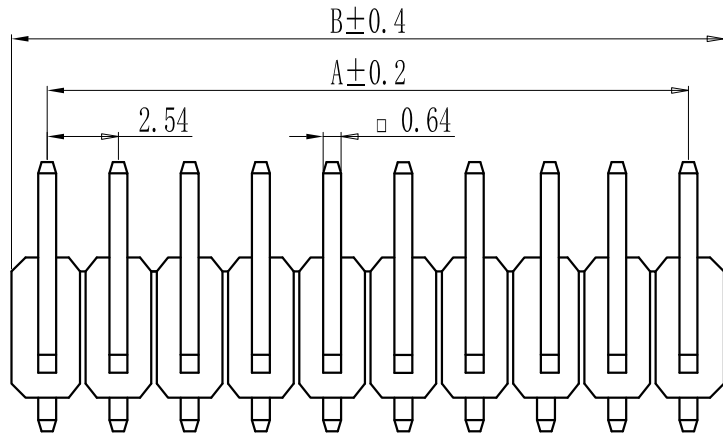


仅供参考

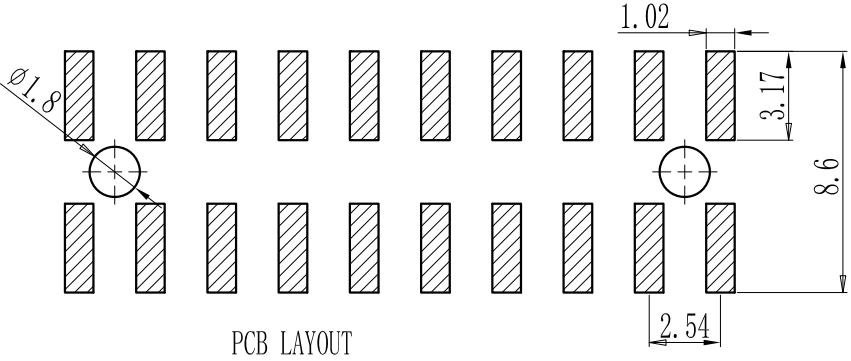
REV.	REVISION RECORD	DATE
A0	新图面发行	2017.06.16



Specification:
 Current Rating : 3.0AMP
 Temperature Range : -40°C to +105°C
 Contact Resistance : 20mΩ Max
 Insulation Resistance : 1000MΩ Min
 Withstanding Voltage : AC 1000V
 Material:
 Insulator : Polyester (UL94V-0)
 Standard: PBT/PA6T/LCP
 Contact: Brass
 Plating : Au or Sn Over 50u" Ni



Pin数	尺寸A	尺寸B
2×1	-	2.54
2×2	2.54	5.08
2×3	5.08	7.62
2×4	7.62	10.16
2×5	10.16	12.70
2×6	12.70	15.24
2×7	15.24	17.78
2×8	17.78	20.32
2×9	20.32	22.86
2×10	22.86	25.40
2×11	25.40	27.94
2×12	27.94	30.48
2×13	30.48	33.02
2×14	33.02	35.56
2×15	35.56	38.10
2×16	38.10	40.64
2×17	40.64	43.18
2×18	43.18	45.72
2×19	45.72	48.26
2×20	48.26	50.80
2×21	50.80	53.34
2×22	53.34	55.88
2×23	55.88	58.42
2×24	58.42	60.96
2×25	60.96	63.50
2×26	63.50	66.04
2×27	66.04	68.58
2×28	68.58	71.12
2×29	71.12	73.66
2×30	73.66	76.20
2×31	76.20	78.74
2×32	78.74	81.28
2×33	81.28	83.82
2×34	83.82	86.36
2×35	86.36	88.90
2×36	88.90	91.44
2×37	91.44	93.98
2×38	93.98	96.52
2×39	96.52	99.06
2×40	99.06	101.60



Height
H=1.0mm, 1.5mm, 1.7mm, 2.0mm, 2.5mm, 3.3mm

	GENERAL TOLERANCES		SCALE: 1:1	NAME	DATE	深圳市思拓展电子有限公司 SHENZHEN SINOTOP ELECTRONICS CO.,LTD 公司网址: www.szstuo.cn 公司电话: 0755-23765350 销售热线: 2850175982@qq.com 公司传真: 0755-23765341	PART. NO: ST-PH-254-0104
	LINEAR	ANGLES					
UNIT: MM	0.00±0.20	X° REF±6°	DESIGNER			TITLE: Pitch2.54mm Pin Header, Single Plastic, Dual Row, Right Angle & SMT Type	DWG. NO:
SIZE: A4	0.000±0.10	X° X'±2°	DRAWN	肖坤权	2017.06.16		REV: A0 SHEET: 1/1