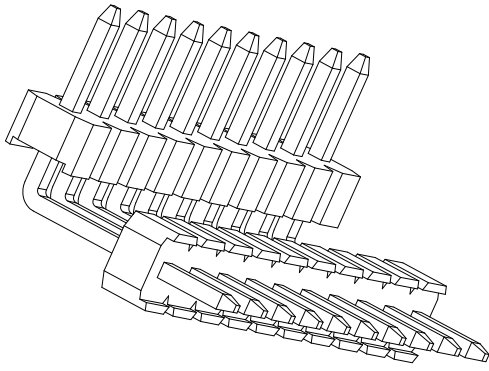


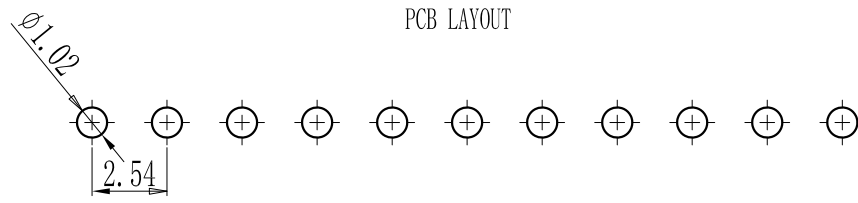
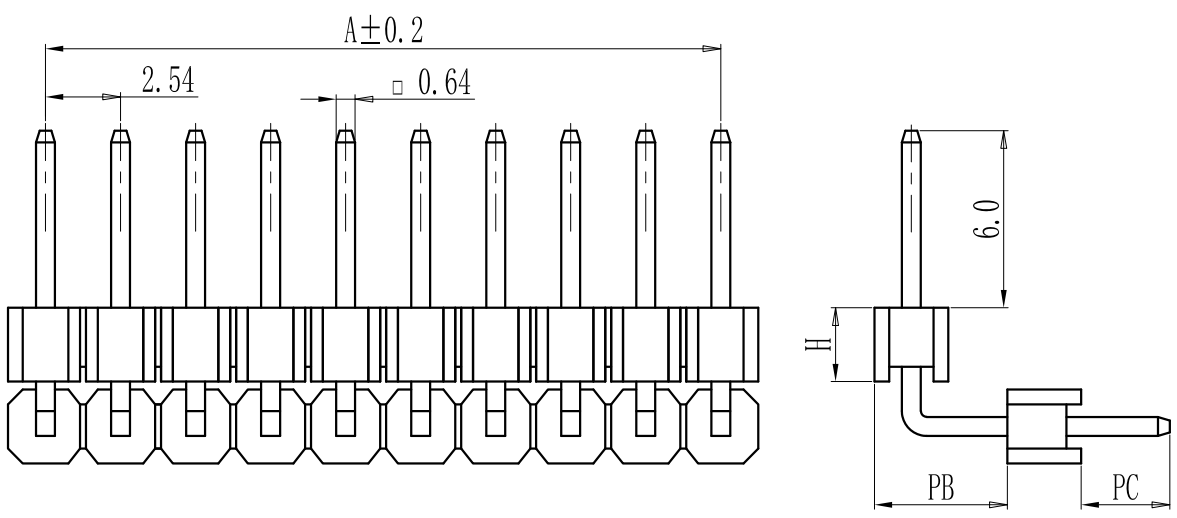
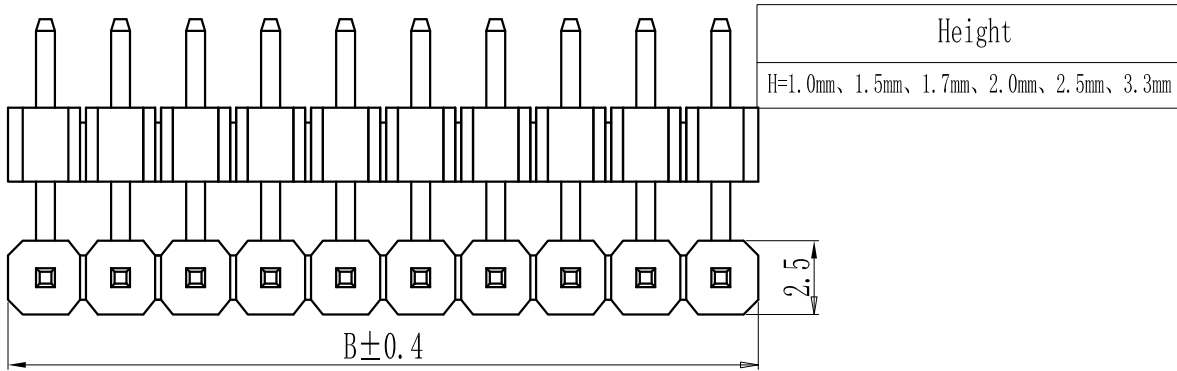
仅供参考

REV.	REVISION RECORD	DATE
A0	新图面发行	2017.06.16

Specification:  
 Current Rating : 3.0AMP  
 Temperature Range : -40°Cto+105°C  
 Contact Resistance : 20mΩ Max  
 Insulation Resistance : 1000MΩ Min  
 Withstanding Voltage : AC 1000V  
 Material:  
 Insulator : Polyester (UL94V-0)  
 Standard:PA6T/LCP  
 Contact: Brass  
 Plating : Au or Sn Over 50u" Ni



Pin数	尺寸A	尺寸B
1×1	-	2.54
1×2	2.54	5.08
1×3	5.08	7.62
1×4	7.62	10.16
1×5	10.16	12.70
1×6	12.70	15.24
1×7	15.24	17.78
1×8	17.78	20.32
1×9	20.32	22.86
1×10	22.86	25.40
1×11	25.40	27.94
1×12	27.94	30.48
1×13	30.48	33.02
1×14	33.02	35.56
1×15	35.56	38.10
1×16	38.10	40.64
1×17	40.64	43.18
1×18	43.18	45.72
1×19	45.72	48.26
1×20	48.26	50.80
1×21	50.80	53.34
1×22	53.34	55.88
1×23	55.88	58.42
1×24	58.42	60.96
1×25	60.96	63.50
1×26	63.50	66.04
1×27	66.04	68.58
1×28	68.58	71.12
1×29	71.12	73.66
1×30	73.66	76.20
1×31	76.20	78.74
1×32	78.74	81.28
1×33	81.28	83.82
1×34	83.82	86.36
1×35	86.36	88.90
1×36	88.90	91.44
1×37	91.44	93.98
1×38	93.98	96.52
1×39	96.52	99.06
1×40	99.06	101.60



	GENERAL TOLERANCES		SCALE: 1:1	NAME	DATE	深圳市思拓展电子有限公司 SHENZHEN SINOTOP ELECTRONICS CO.,LTD 公司网址: www.szsituo.cn      公司电话: 0755-23765350 邮 箱: 2850175982@qq.com      公司传真: 0755-23765341	PART. NO: ST-PH-254-0093	
	LINEAR	ANGLES					APPROVED	DWG. NO:
UNIT: MM	0.00±0.20	X° REF±6°	DESIGNER	TITLE: Pitch2.54mm Pin Header, Dual Plastic, Single Row, Right Angle Type			REV: A0	SHEET: 1/1
SIZE: A4	0.000±0.10	X° X'±2°	DRAWN	肖坤权	2017.06.16			