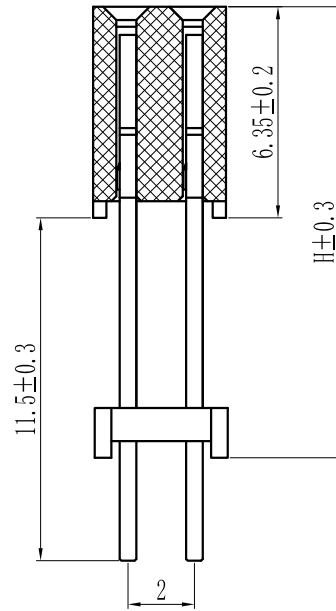
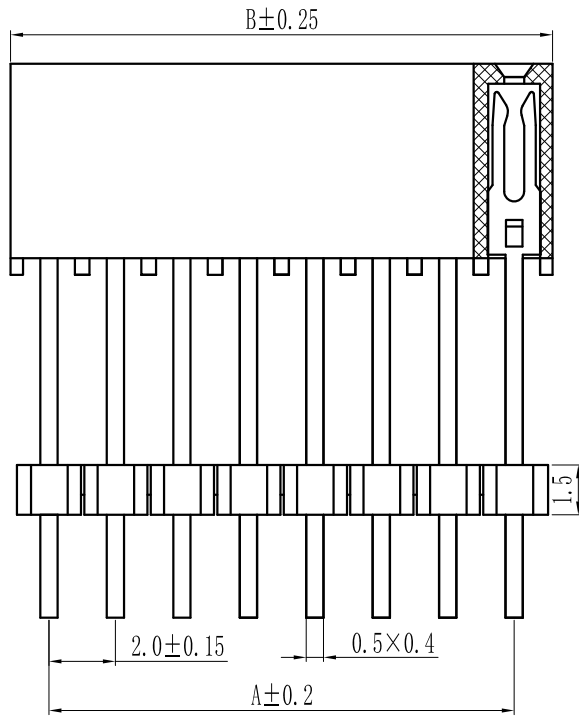
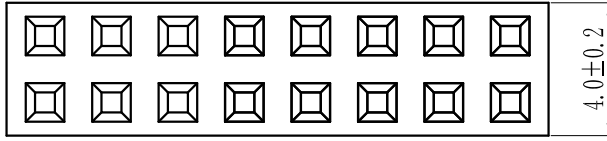


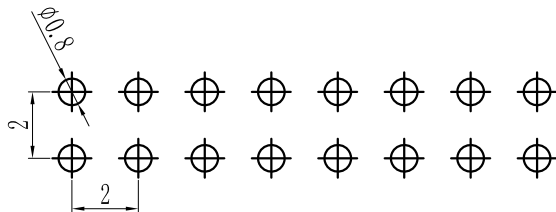
仅供参考

REV.	REVISION RECORD	DATE
A0	新图面发行	2017. 06. 16

Specification:
 Current Rating : 2AMP
 Temperature Range : -40°Cto+105°C
 Contact Resistance : 20mΩ Max
 Insulation Resistance : 1000MΩ Min
 Withstanding Voltage : AC 500V
 Material:
 Insulator : Polyester (UL94V-0)
 Standard:PA6T/LCP
 Contact: Bronze
 Plating : Au or Sn Over 50u" Ni



Pin数	尺寸A	尺寸B
2×2	2.0	4.5
2×3	4.0	6.5
2×4	6.0	8.5
2×5	8.0	10.5
2×6	10.0	12.5
2×7	12.0	14.5
2×8	14.0	16.5
2×9	16.0	18.5
2×10	18.0	20.5
2×11	20.0	22.5
2×12	22.0	24.5
2×13	24.0	26.5
2×14	26.0	28.5
2×15	28.0	30.5
2×16	30.0	32.5
2×17	32.0	34.5
2×18	34.0	36.5
2×19	36.0	38.5
2×20	38.0	40.5
2×21	40.0	42.5
2×22	42.0	44.5
2×23	44.0	46.5
2×24	46.0	48.5
2×25	48.0	50.5
2×26	50.0	52.5
2×27	52.0	54.5
2×28	54.0	56.5
2×29	56.0	58.5
2×30	58.0	60.5
2×31	60.0	62.5
2×32	62.0	64.5
2×33	64.0	66.5
2×34	66.0	68.5
2×35	68.0	70.5
2×36	70.0	72.5
2×37	72.0	74.5
2×38	74.0	76.5
2×39	76.0	78.5
2×40	78.0	80.5



PCB LAYOUT

	GENERAL TOLERANCES		SCALE: 1:1	NAME	DATE	深圳市思拓展电子有限公司 SHENZHEN SINOTOP ELECTRONICS CO.,LTD 公司地址: www.szsituo.cn 公司电话: 0755-23765350 邮 箱: 2850175982@qq.com 公司传真: 0755-23765341	PART. NO: ST-FH-200-0099
	LINEAR	ANGLES					APPROVED
UNIT: MM	0.0±0.30	X° REF±6°	DESIGNER	TITLE: Pitch2.0mm Female Header, Dual Row, Plastic Height 6.35mm, Elevated DIP Type(Y)	REV: A0	SHEET: 1/1	
SIZE: A4	0.000±0.10	X° X'±2°	DRAWN 肖坤权	2017.06.16			