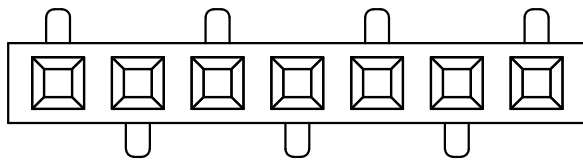
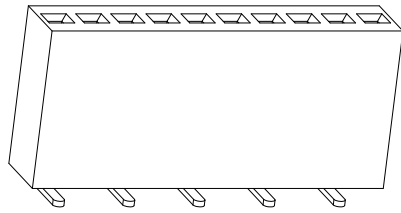


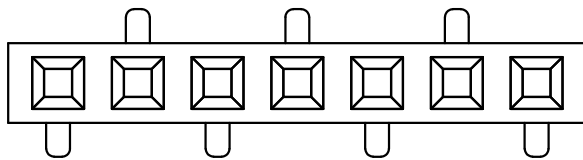
仅供参考

REV.	REVISION RECORD	DATE
A0	新图面发行	2017.06.16

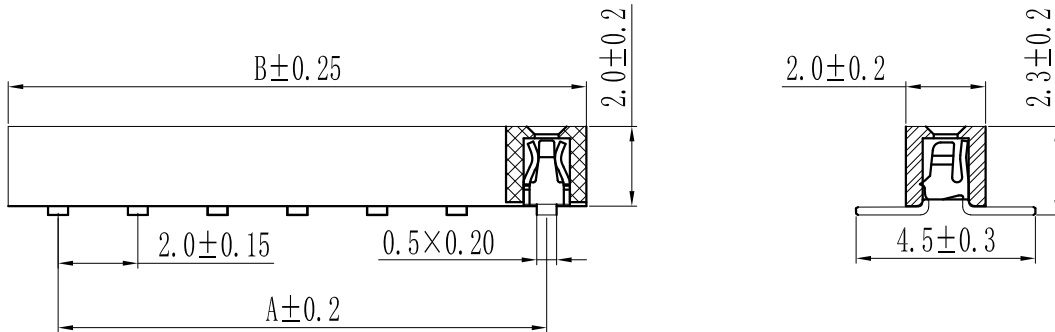
Specification:  
 Current Rating : 2AMP  
 Temperature Range : -40°C to +105°C  
 Contact Resistance : 20mΩ Max  
 Insulation Resistance : 1000MΩ Min  
 Withstanding Voltage : AC 500V  
 Material:  
 Insulator : Polyester (UL94V-0)  
 Standard: PA6T/LCP  
 Contact: Bronze  
 Plating : Au or Sn Over 50u" Ni



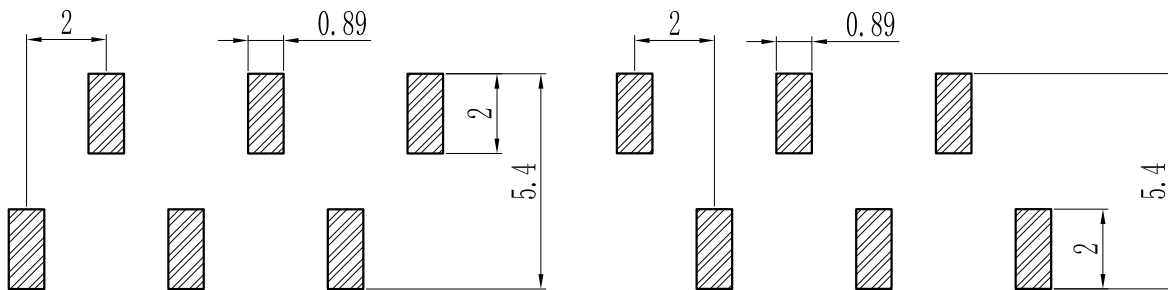
Type 1



Type 2



PCB LAYOUT



Type 1

Type 2

Pin数	尺寸A	尺寸B
1×2	2.0	4.5
1×3	4.0	6.5
1×4	6.0	8.5
1×5	8.0	10.5
1×6	10.0	12.5
1×7	12.0	14.5
1×8	14.0	16.5
1×9	16.0	18.5
1×10	18.0	20.5
1×11	20.0	22.5
1×12	22.0	24.5
1×13	24.0	26.5
1×14	26.0	28.5
1×15	28.0	30.5
1×16	30.0	32.5
1×17	32.0	34.5
1×18	34.0	36.5
1×19	36.0	38.5
1×20	38.0	40.5
1×21	40.0	42.5
1×22	42.0	44.5
1×23	44.0	46.5
1×24	46.0	48.5
1×25	48.0	50.5
1×26	50.0	52.5
1×27	52.0	54.5
1×28	54.0	56.5
1×29	56.0	58.5
1×30	58.0	60.5
1×31	60.0	62.5
1×32	62.0	64.5
1×33	64.0	66.5
1×34	66.0	68.5
1×35	68.0	70.5
1×36	70.0	72.5
1×37	72.0	74.5
1×38	74.0	76.5
1×39	76.0	78.5
1×40	78.0	80.5

	GENERAL TOLERANCES		SCALE: 1:1	NAME	DATE	深圳市思拓展电子有限公司 SHENZHEN SINOTOP ELECTRONICS CO., LTD 公司网址: www.szsituo.cn      公司电话: 0755-23765350 邮 箱: 2850175982@qq.com      公司传真: 0755-23765341	PART. NO:
	LINEAR	ANGLES	APPROVED				ST-FH-200-0067
	0.0 ± 0.30	X° REF ± 6°	DESIGNER				DWG. NO:
	UNIT: MM	0.00 ± 0.20	X° ± 3°	DRAWN	肖坤权		2017.06.16
SIZE: A4	0.000 ± 0.10	X° X' ± 2°	TITLE: Pitch 2.0mm Female Header, Single Row, Plastic Height 2.0mm, SMT Type (U)			SHEET: 1/1	