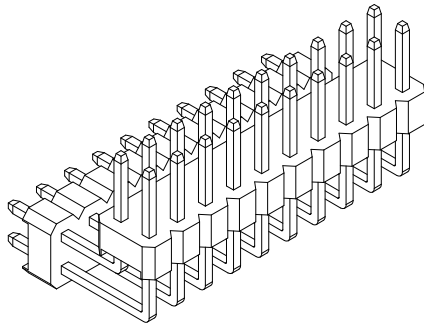
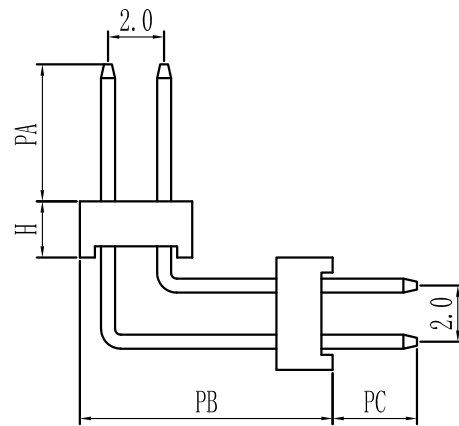
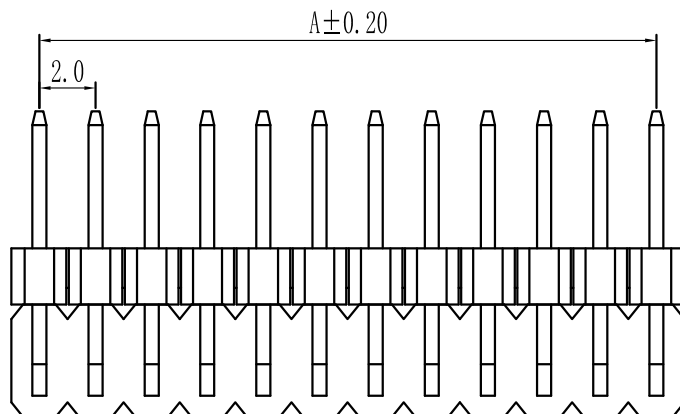
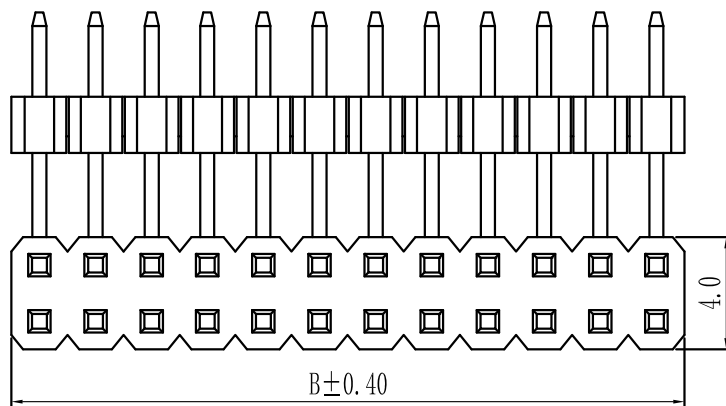


仅供参考

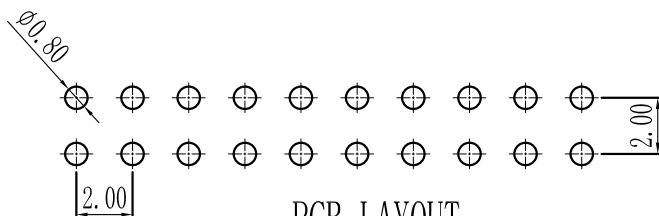
REV.	REVISION RECORD	DATE
A0	新图面发行	2017.06.16



Specification:  
 Current Rating : 2AMP  
 Temperature Range : -40°C to +105°C  
 Contact Resistance : 20mΩ Max  
 Insulation Resistance : 1000MΩ Min  
 Withstanding Voltage : AC 500V  
 Material:  
 Insulator : Polyester (UL94V-0)  
 Standard: PBT/PA6T/LCP  
 Contact: Brass  
 Plating : Au or Sn Over 50u" Ni



Pin数	尺寸A	尺寸B
2x1	-	2.0
2x2	2.0	4.0
2x3	4.0	6.0
2x4	6.0	8.0
2x5	8.0	10.0
2x6	10.0	12.0
2x7	12.0	14.0
2x8	14.0	16.0
2x9	16.0	18.0
2x10	18.0	20.0
2x11	20.0	22.0
2x12	22.0	24.0
2x13	24.0	26.0
2x14	26.0	28.0
2x15	28.0	30.0
2x16	30.0	32.0
2x17	32.0	34.0
2x18	34.0	36.0
2x19	36.0	38.0
2x20	38.0	40.0
2x21	40.0	42.0
2x22	42.0	44.0
2x23	44.0	46.0
2x24	46.0	48.0
2x25	48.0	50.0
2x26	50.0	52.0
2x27	52.0	54.0
2x28	54.0	56.0
2x29	56.0	58.0
2x30	58.0	60.0
2x31	60.0	62.0
2x32	62.0	64.0
2x33	64.0	66.0
2x34	66.0	68.0
2x35	68.0	70.0
2x36	70.0	72.0
2x37	72.0	74.0
2x38	74.0	76.0
2x39	76.0	78.0
2x40	78.0	80.0
2x41	80.0	82.0
2x42	82.0	84.0
2x43	84.0	86.0
2x44	86.0	88.0
2x45	88.0	90.0
2x46	90.0	92.0
2x47	92.0	94.0
2x48	94.0	96.0
2x49	96.0	98.0
2x50	98.0	100.0
2x51	100.0	102.0
2x52	102.0	104.0



PCB LAYOUT

	GENERAL TOLERANCES		SCALE: 1:1	NAME	DATE	深圳市思拓展电子有限公司 SHENZHEN SINOTOP ELECTRONICS CO.,LTD 公司网址: www.szsituo.cn      公司电话: 0755-23765350 邮 箱: 2850175982@qq.com      公司传真: 0755-23765341	PART. NO:
	LINEAR	ANGLES					APPROVED
UNIT: MM	0.00±0.20	X° REF±6°	DESIGNER			TITLE:	DWG. NO:
SIZE: A4	0.000±0.10	X° X'±2°	DRAWN	肖坤权	2017.06.16	Pitch2.00mm Pin Header, Dual Plastic, Dual Row, Right Angle Type	REV: A0      SHEET: 1/1