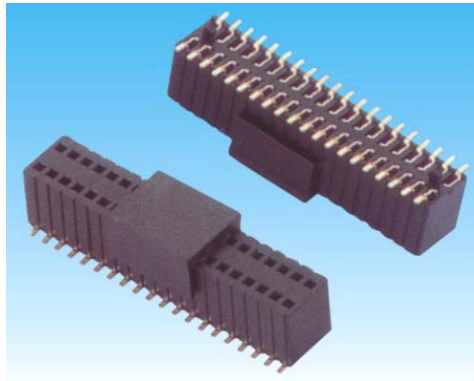
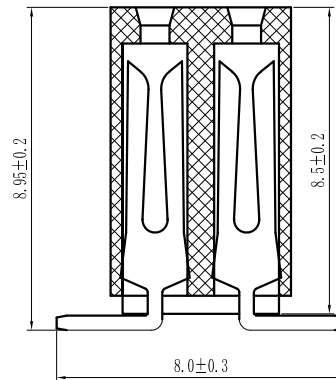
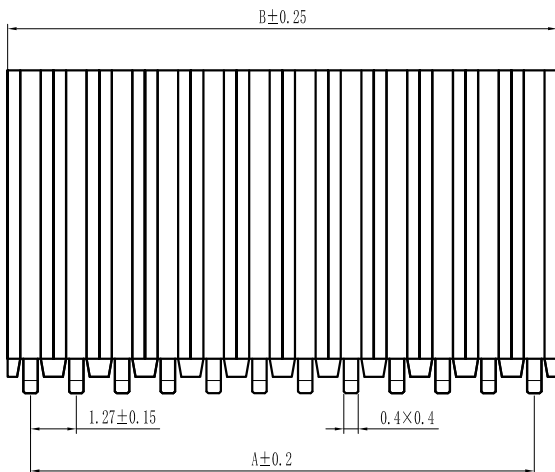
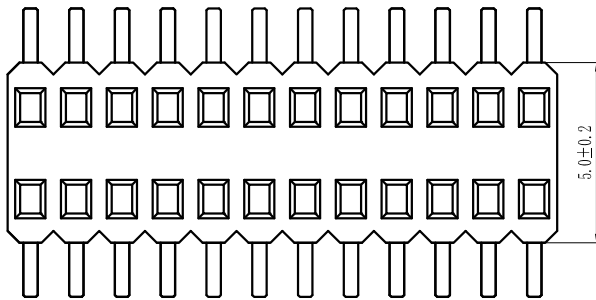


仅供参考



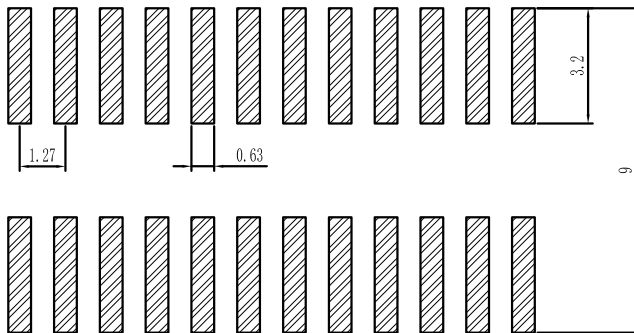
|      |                 |            |
|------|-----------------|------------|
| REV. | REVISION RECORD | DATE       |
| A0   | 新图面发行           | 2017.06.16 |

Specification:  
 Current Rating : 1AMP  
 Temperature Range : -40°Cto+105°C  
 Contact Resistance : 20mΩ Max  
 Insulation Resistance : 1000MΩ Min  
 Withstanding Voltage : AC 500V  
 Material:  
 Insulator : Polyester (UL94V-0)  
 Standard:PBT/PA6T/LCP  
 Contact: Bronze  
 Plating : Au or Sn Over 50u" Ni



| Pin数 | 尺寸A   | 尺寸B   |
|------|-------|-------|
| 2x2  | 1.27  | 2.94  |
| 2x3  | 2.54  | 4.21  |
| 2x4  | 3.81  | 5.48  |
| 2x5  | 5.08  | 6.75  |
| 2x6  | 6.35  | 8.02  |
| 2x7  | 7.62  | 9.29  |
| 2x8  | 8.89  | 10.56 |
| 2x9  | 10.16 | 11.83 |
| 2x10 | 11.43 | 13.10 |
| 2x11 | 12.70 | 14.37 |
| 2x12 | 13.97 | 15.64 |
| 2x13 | 15.24 | 16.91 |
| 2x14 | 16.51 | 18.18 |
| 2x15 | 17.78 | 19.45 |
| 2x16 | 19.05 | 20.72 |
| 2x17 | 20.32 | 21.99 |
| 2x18 | 21.59 | 23.26 |
| 2x19 | 22.86 | 24.53 |
| 2x20 | 24.13 | 25.80 |
| 2x21 | 25.40 | 27.07 |
| 2x22 | 26.67 | 28.34 |
| 2x23 | 27.94 | 29.61 |
| 2x24 | 29.21 | 30.88 |
| 2x25 | 30.48 | 32.15 |
| 2x26 | 31.75 | 33.42 |
| 2x27 | 33.02 | 34.69 |
| 2x28 | 34.29 | 35.96 |
| 2x29 | 35.56 | 37.23 |
| 2x30 | 36.83 | 38.50 |
| 2x31 | 38.10 | 39.77 |
| 2x32 | 39.37 | 41.04 |
| 2x33 | 40.64 | 42.31 |
| 2x34 | 41.91 | 43.58 |
| 2x35 | 43.18 | 44.85 |
| 2x36 | 44.45 | 46.12 |
| 2x37 | 45.72 | 47.39 |
| 2x38 | 46.99 | 48.66 |
| 2x39 | 48.26 | 49.93 |
| 2x40 | 49.53 | 51.20 |
| 2x41 | 50.80 | 52.47 |
| 2x42 | 52.07 | 53.74 |
| 2x43 | 53.34 | 55.01 |
| 2x44 | 54.61 | 56.28 |
| 2x45 | 55.88 | 57.55 |
| 2x46 | 57.15 | 58.82 |
| 2x47 | 58.42 | 60.09 |
| 2x48 | 59.69 | 61.36 |
| 2x49 | 60.96 | 62.63 |
| 2x50 | 62.23 | 63.90 |

PCB LAYOUT



|          |                    |           |               |      |            |  |                |
|----------|--------------------|-----------|---------------|------|------------|--|----------------|
|          | GENERAL TOLERANCES |           | SCALE:<br>1:1 | NAME | DATE       | 深圳市思拓展电子有限公司<br>SHENZHEN SINOTOP ELECTRONICS CO.,LTD<br>公司网址: www.szsituo.cn      公司电话: 0755-23765350<br>邮 箱: 2850175982@qq.com      公司传真: 0755-23765341 | PART. NO:      |
|          | LINEAR             | ANGLES    |               |      |            |  | ST-FH-127-0063 |
| UNIT: MM | 0.00±0.20          | X° REF±6° | APPROVED      |      |            |  | DWG. NO:       |
| SIZE: A4 | 0.000±0.10         | X° X'±2°  | DESIGNER      |      |            |  | REV: A0        |
|          |                    |           | DRAWN         | 肖坤权  | 2017.06.16 |  | SHEET: 1/1     |

TITLE:  
 1.27\*2.54mm Female Header, Dual Row,  
 Plastic Height 8.5mm, SMT Type (Y)