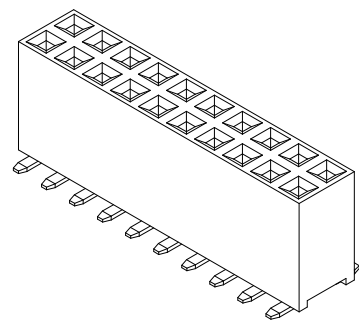
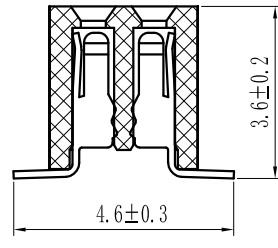
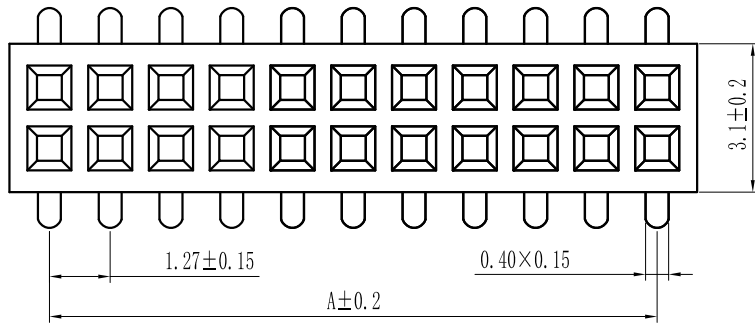


仅供参考

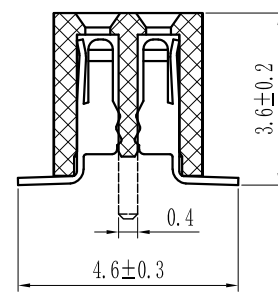
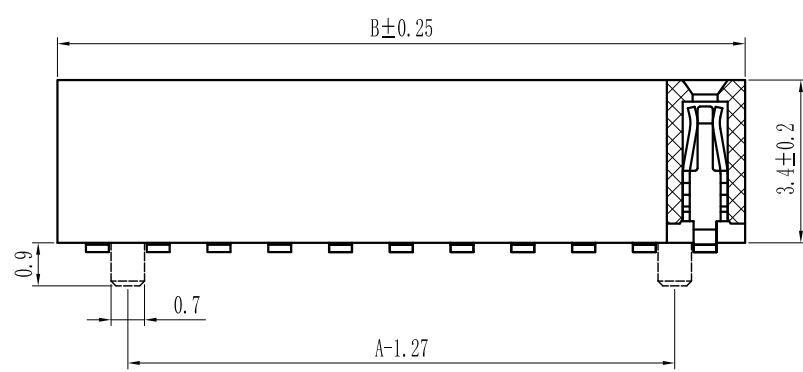
REV.	REVISION RECORD	DATE
A0	新图面发行	2017.06.16



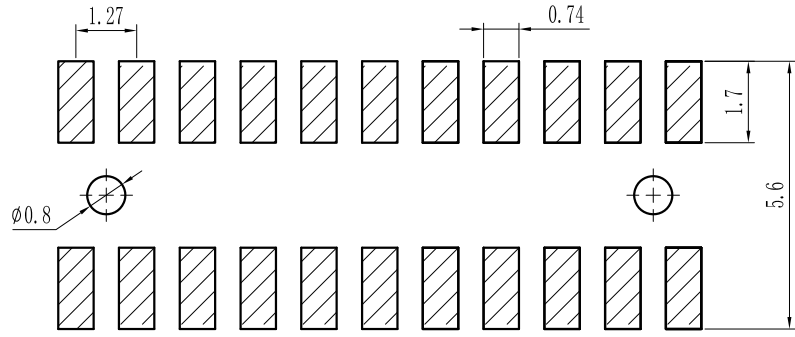
Specification:
 Current Rating : 1AMP
 Temperature Range : -40°C to +105°C
 Contact Resistance : 20mΩ Max
 Insulation Resistance : 1000MΩ Min
 Withstanding Voltage : AC 500V
 Material:
 Insulator : Polyester (UL94V-0)
 Standard: PBT/PA6T/LCP
 Contact: Bronze
 Plating : Au or Sn Over 50u" Ni



Pin数	尺寸A	尺寸B
2×2	1.27	2.94
2×3	2.54	4.21
2×4	3.81	5.48
2×5	5.08	6.75
2×6	6.35	8.02
2×7	7.62	9.29
2×8	8.89	10.56
2×9	10.16	11.83
2×10	11.43	13.10
2×11	12.70	14.37
2×12	13.97	15.64
2×13	15.24	16.91
2×14	16.51	18.18
2×15	17.78	19.45
2×16	19.05	20.72
2×17	20.32	21.99
2×18	21.59	23.26
2×19	22.86	24.53
2×20	24.13	25.80
2×21	25.40	27.07
2×22	26.67	28.34
2×23	27.94	29.61
2×24	29.21	30.88
2×25	30.48	32.15
2×26	31.75	33.42
2×27	33.02	34.69
2×28	34.29	35.96
2×29	35.56	37.23
2×30	36.83	38.50
2×31	38.10	39.77
2×32	39.37	41.04
2×33	40.64	42.31
2×34	41.91	43.58
2×35	43.18	44.85
2×36	44.45	46.12
2×37	45.72	47.39
2×38	46.99	48.66
2×39	48.26	49.93
2×40	49.53	51.20
2×41	50.80	52.47
2×42	52.07	53.74
2×43	53.34	55.01
2×44	54.61	56.28
2×45	55.88	57.55
2×46	57.15	58.82
2×47	58.42	60.09
2×48	59.69	61.36
2×49	60.96	62.63
2×50	62.23	63.90



PCB LAYOUT



	GENERAL TOLERANCES		SCALE: 1:1	NAME	DATE	深圳市思拓展电子有限公司 SHENZHEN SINOTOP ELECTRONICS CO., LTD 公司地址: www.szsituo.cn 公司电话: 0755-23765350 邮 箱: 2850175982@qq.com 公司传真: 0755-23765341	PART. NO: ST-FH-127-0032	
	LINEAR	ANGLES					APPROVED	DWG. NO:
UNIT: MM	0.00±0.20	X° REF±6°	DESIGNER			TITLE:	REV: A0	SHEET: 1/1
SIZE: A4	0.000±0.10	X° X'±2°	DRAWN	肖坤权	2017.06.16	Pitch1.27mm Female Header, Dual Row, Plastic Height 3.4mm, SMT (with Local Peg) Type (U)		