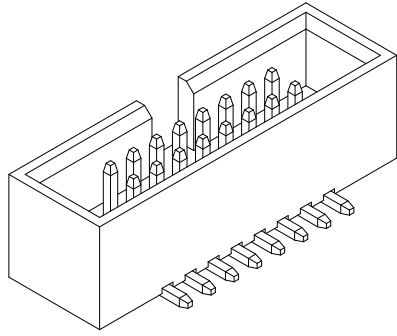
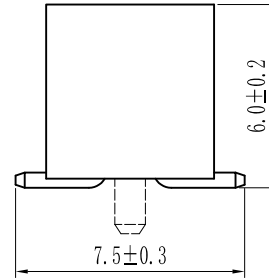
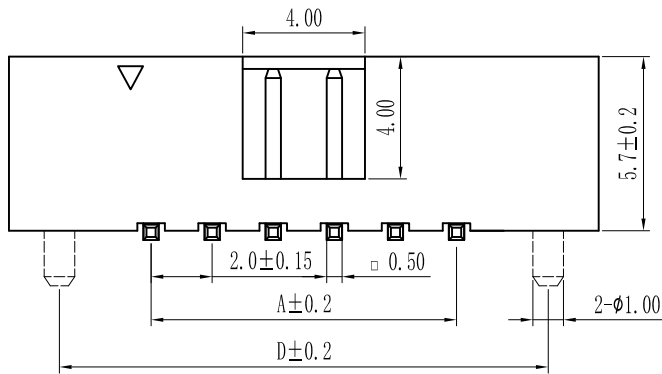
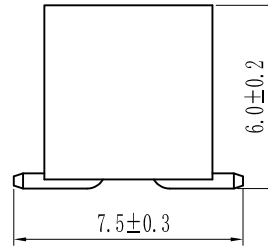
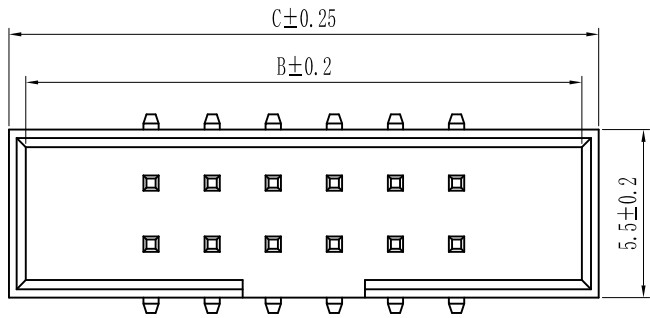


仅供参考

REV.	REVISION RECORD	DATE
A0	新图面发行	2017.06.16

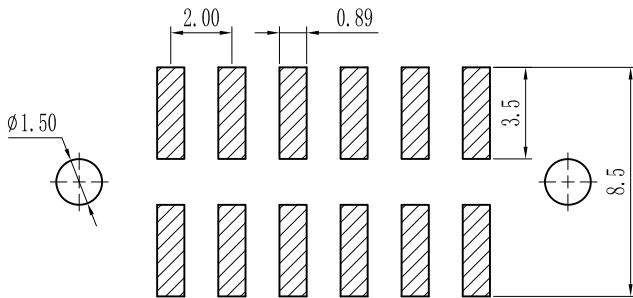


Specification:  
 Current Rating : 2AMP  
 Temperature Range : -40°C to +105°C  
 Contact Resistance : 20mΩ Max  
 Insulation Resistance : 1000MΩ Min  
 Withstanding Voltage : AC 500V  
 Material:  
 Insulator : PBT/PA6T/LCP  
 Contact: Brass  
 Plating : Au or Sn Over 50u" Ni



Pin数	尺寸A	尺寸B	尺寸C	尺寸D
2×3	4.00	12.20	13.50	10.00
2×4	6.00	14.20	15.50	12.00
2×5	8.00	16.20	17.50	14.00
2×6	10.00	18.20	19.50	16.00
2×7	12.00	20.20	21.50	18.00
2×8	14.00	22.20	23.50	20.00
2×9	16.00	24.20	25.50	22.00
2×10	18.00	26.20	27.50	24.00
2×11	20.00	28.20	29.50	26.00
2×12	22.00	30.20	31.50	28.00
2×13	24.00	32.20	33.50	30.00
2×14	26.00	34.20	35.50	32.00
2×15	28.00	36.20	37.50	34.00
2×16	30.00	38.20	39.50	36.00
2×17	32.00	40.20	41.50	38.00
2×18	34.00	42.20	43.50	40.00
2×19	36.00	44.20	45.50	42.00
2×20	38.00	46.20	47.50	44.00
2×21	40.00	48.20	49.50	46.00
2×22	42.00	50.20	51.50	48.00
2×23	44.00	52.20	53.50	50.00
2×24	46.00	54.20	55.50	52.00
2×25	48.00	56.20	57.50	54.00
2×26	50.00	58.20	59.50	56.00
2×27	52.00	60.20	61.50	58.00
2×28	54.00	62.20	63.50	60.00
2×29	56.00	64.20	65.50	62.00
2×30	58.00	66.20	67.50	64.00
2×31	60.00	68.20	69.50	66.00
2×32	62.00	70.20	71.50	68.00
2×33	64.00	72.20	73.50	70.00
2×34	66.00	74.20	75.50	72.00

PCB LAYOUT



	GENERAL TOLERANCES		SCALE: 1:1	NAME	DATE	深圳市思拓展电子有限公司 SHENZHEN SINTOP ELECTRONICS CO.,LTD 公司网址: www.szsituo.cn      公司电话: 0755-23765350 邮 箱: 2850175982@qq.com      公司传真: 0755-23765341	PART. NO: ST-BF-200-019	
	LINEAR	ANGLES					APPROVED	DWG. NO:
UNIT: MM	0.00±0.20	X° REF±6°	DESIGNER	TITLE:	Pitch2.00mm Box Header, Dual Row, Plastic Height 5.7mm, SMT (with Local Peg) Type		REV: A0	SHEET: 1/1
SIZE: A4	0.000±0.10	X° X'±2°	DRAWN	肖坤权	2017.06.16			