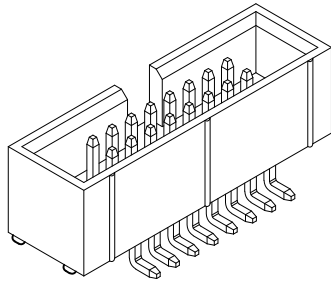
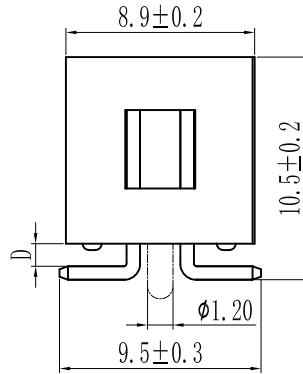
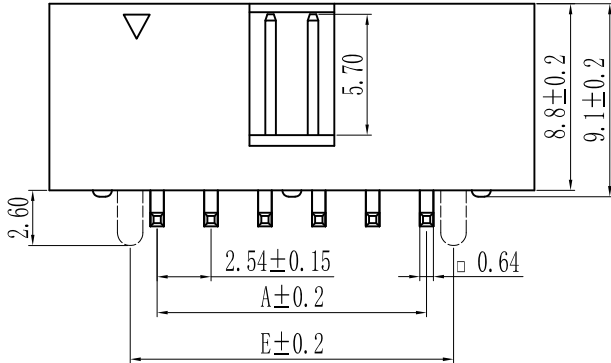
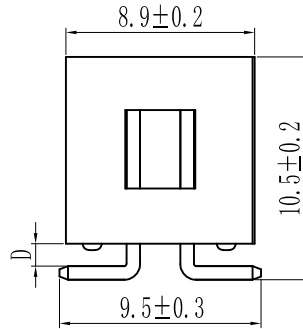
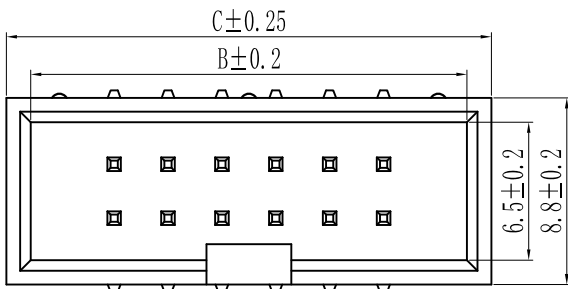


仅供参考

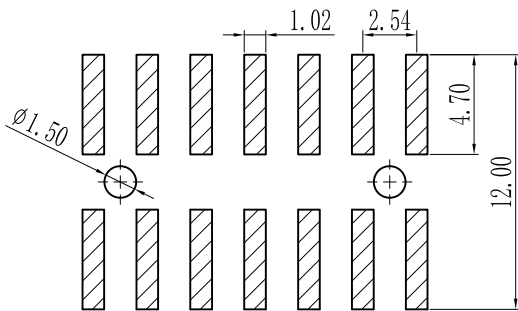
REV.	REVISION RECORD	DATE
A0	新图面发行	2017.06.16



Specification:
 Current Rating : 3AMP
 Temperature Range : -40°C to +105°C
 Contact Resistance : 20mΩ Max
 Insulation Resistance : 1000MΩ Min
 Withstanding Voltage : AC 1000V
 Material:
 Insulator : PBT/PA6T/LCP
 Contact: Brass
 Plating : Au or Sn Over 50u" Ni



PCB LAYOUT



Pin数	尺寸A	尺寸B	尺寸C	尺寸E
2×3	5.08	12.94	15.24	7.62
2×4	7.62	15.48	17.78	10.16
2×5	10.16	18.02	20.32	12.70
2×6	12.70	20.56	22.86	15.24
2×7	15.24	23.10	25.40	17.78
2×8	17.78	25.64	27.94	20.32
2×9	20.32	28.18	30.48	22.86
2×10	22.86	30.72	33.02	25.40
2×11	25.40	33.26	35.56	27.94
2×12	27.94	35.80	38.10	30.48
2×13	30.48	38.34	40.64	33.02
2×14	33.02	40.88	43.18	35.56
2×15	35.56	43.42	45.72	38.10
2×16	38.10	45.96	48.26	40.64
2×17	40.64	48.50	50.80	43.18
2×18	43.18	51.04	53.34	45.72
2×19	45.72	53.58	55.88	48.26
2×20	48.26	56.12	58.42	50.80
2×21	50.80	58.66	60.96	53.34
2×22	53.34	61.20	63.50	55.88
2×23	55.88	63.74	66.04	58.42
2×24	58.42	66.28	68.58	60.96
2×25	60.96	68.82	71.12	63.50
2×26	63.50	71.36	73.66	66.04
2×27	66.04	73.90	76.20	68.58
2×28	68.58	76.44	78.74	71.12
2×29	71.12	78.98	81.28	73.66
2×30	73.66	81.52	83.82	76.20
2×31	76.20	84.06	86.36	78.74
2×32	78.74	86.60	88.90	81.28

	GENERAL TOLERANCES		SCALE: 1:1	NAME	DATE	深圳市思拓展电子有限公司 SHENZHEN SINOTOP ELECTRONICS CO.,LTD 公司网址: www.szsituo.cn 公司电话: 0755-23765350 邮 箱: 2850175982@qq.com 公司传真: 0755-23765341	PART. NO: ST-BF-254-027	
	LINEAR	ANGLES					APPROVED	
	0.0±0.30	X° REF±6°	DESIGNER		REV: A0 SHEET: 1/1			
	UNIT: MM	0.00±0.20	X° ±3°	DRAWN			肖坤权	2017.06.16
SIZE: A4	0.000±0.10	X° X'±2°						