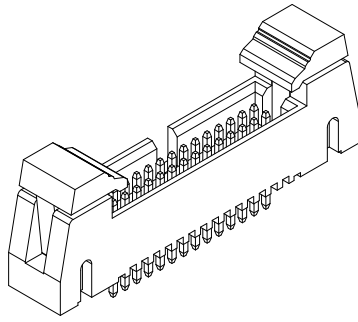
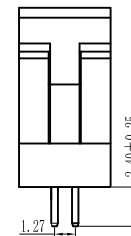
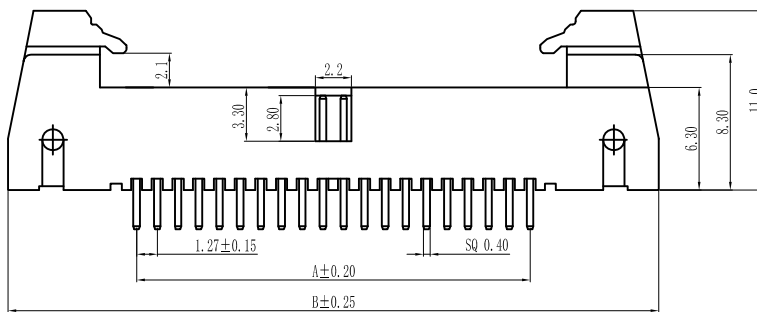
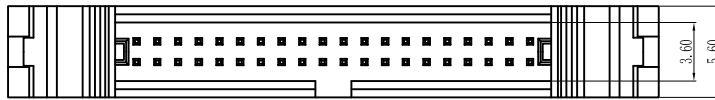


仅供参考

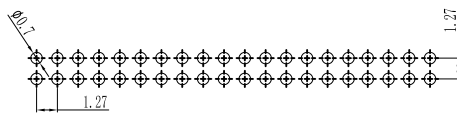
REV.	REVISION RECORD	DATE
A0	新图面发行	2017. 06. 16



Specification:
 Current Rating : 1AMP
 Temperature Range : -40°Cto+105°C
 Contact Resistance : 20mΩ Max
 Insulation Resistance : 1000MΩ Min
 Withstanding Voltage : AC 500V
 Material:
 Insulator : PBT
 Contact: Brass
 Plating : Au or Sn Over 50u" Ni



Pin数	尺寸A	尺寸B
2×6	6.35	22.12
2×8	8.89	24.66
2×10	11.43	27.20
2×12	13.97	29.74
2×14	16.51	32.28
2×16	19.05	34.82
2×18	21.59	37.36
2×20	24.13	39.90
2×22	26.67	42.44
2×24	29.21	44.98
2×26	31.75	47.52
2×28	34.29	50.06
2×30	36.83	52.60
2×32	39.37	55.14
2×34	41.91	57.68
2×36	44.45	60.22
2×38	46.99	62.76
2×40	49.53	65.30
2×42	52.07	67.84
2×44	54.61	70.38
2×46	57.15	72.92
2×48	59.69	75.46
2×50	62.23	78.00
2×52	64.77	80.54
2×54	67.31	83.08
2×56	69.85	85.62
2×58	72.39	88.16
2×60	74.93	90.70



PCB LAYOUT

	GENERAL TOLERANCES		SCALE: 1:1	NAME	DATE	深圳市思拓展电子有限公司 SHENZHEN SINOTOP ELECTRONICS CO.,LTD 公司网址: www.szsituo.cn 公司电话: 0755-23765350 邮 箱: 2850175982@qq.com 公司传真: 0755-23765341	PART. NO: ST-EF-127-001	
	LINEAR	ANGLES	APPROVED				DWG. NO: REV: A0 SHEET: 1/1	
	0.0±0.30	X° REF±6°	DESIGNER					
	UNIT: MM	0.00±0.20	X° ±3°	DRAWN	肖坤权			2017. 06. 16
SIZE: A4	0.000±0.10	X° X'±2°	TITLE: Pitch1.27mm Ejector Header, Dual Row, Plastic Height 11.0mm, DIP Type					