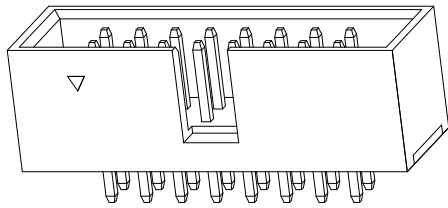
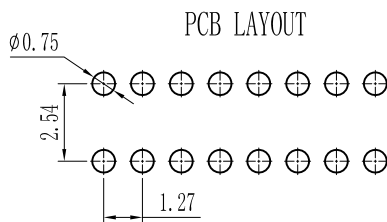
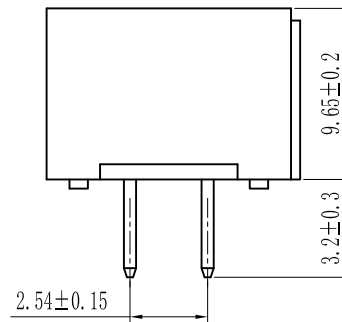
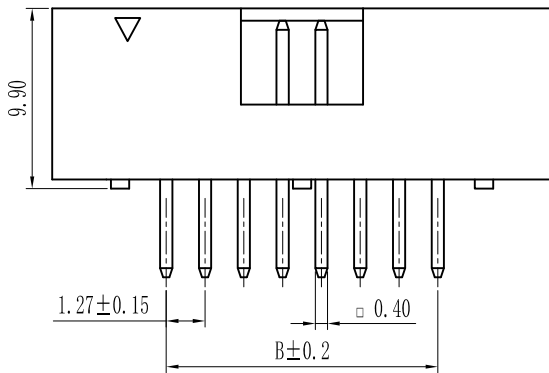
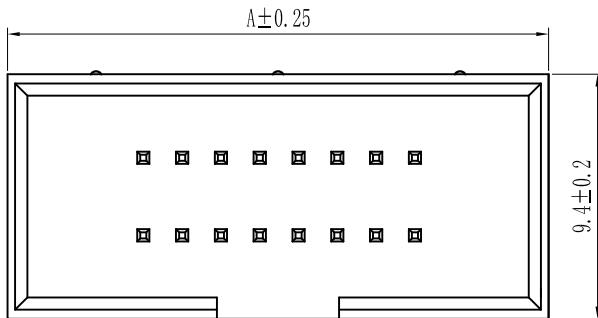


仅供参考

REV.	REVISION RECORD	DATE
A0	新图面发行	2017.06.16



Specification:  
 Current Rating : 1AMP  
 Temperature Range : -40°C to +105°C  
 Contact Resistance : 20mΩ Max  
 Insulation Resistance : 1000MΩ Min  
 Withstanding Voltage : AC 500V  
 Material:  
 Insulator : PBT/PA6T/LCP  
 Contact: Brass  
 Plating : Au or Sn Over 50u" Ni



Pin数	尺寸A	尺寸B
2×5	13.9	6.35
2×6	15.17	7.62
2×7	16.44	8.89
2×8	17.71	10.16
2×9	18.98	11.43
2×10	20.25	12.70
2×11	21.52	13.97
2×12	22.79	15.24
2×13	24.06	16.51
2×14	25.33	17.78
2×15	26.60	19.05
2×16	27.87	20.32
2×17	29.14	21.59
2×18	30.41	22.86
2×19	31.68	24.13
2×20	32.95	25.40
2×21	34.22	26.67
2×22	35.49	27.94
2×23	36.76	29.21
2×24	38.03	30.48
2×25	39.30	31.75
2×26	40.57	33.02
2×27	41.84	34.29
2×28	43.11	35.56
2×29	44.38	36.83
2×30	45.65	38.10
2×31	46.92	39.37
2×32	48.19	40.64
2×33	49.46	41.91
2×34	50.73	43.18
2×35	52.00	44.45
2×36	53.27	45.72
2×37	54.54	46.99
2×38	55.81	48.26
2×39	57.08	49.53
2×40	58.35	50.80
2×41	59.62	52.07
2×42	60.89	53.34
2×43	62.16	54.61
2×44	63.43	55.88
2×45	64.70	57.15
2×46	65.97	58.42
2×47	67.24	59.69
2×48	68.51	60.96
2×49	69.78	62.23
2×50	71.05	63.50

	GENERAL TOLERANCES		SCALE: 1:1	NAME	DATE	深圳市思拓展电子有限公司 SHENZHEN SINOTOP ELECTRONICS CO., LTD 公司网址: www.szsituo.cn      公司电话: 0755-23765350 电子邮箱: 2850175982@qq.com      公司传真: 0755-23765341	PART. NO: ST-BF-127-014	
	LINEAR	ANGLES					APPROVED	DWG. NO:
	0.0 ± 0.30	X° REF ± 6°	DESIGNER					
	UNIT: MM	0.00 ± 0.20	X° ± 3°	TITLE: 1.27*2.54mm Box Header, Dual Row, Plastic Height 9.65mm, DIP	REV: A0		SHEET: 1/1	
SIZE: A4	0.000 ± 0.10	X° X' ± 2°	DRAWN	肖坤权	2017.06.16			