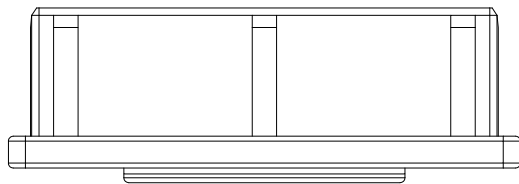
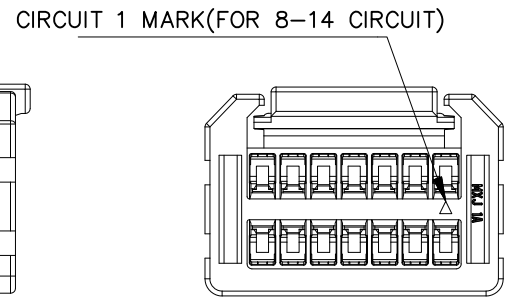
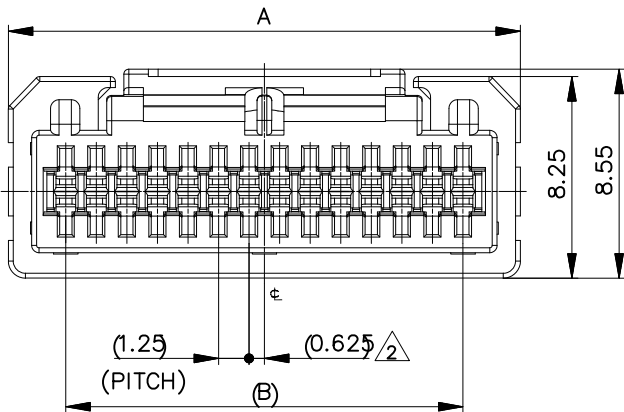
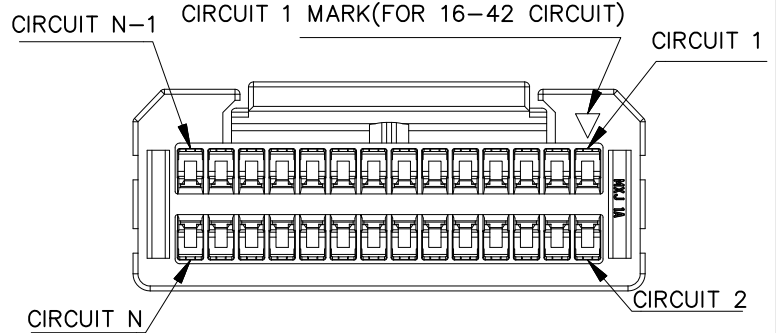
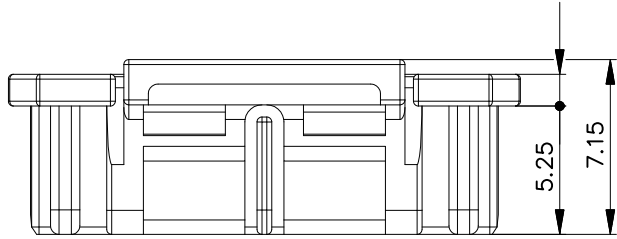
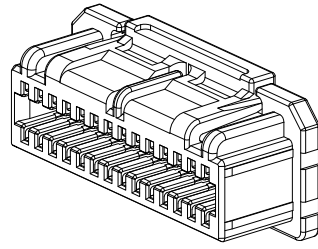


仅供参考

REV.	REVISION RECORD	DATE
A0	新图面发行	2017.06.16

主要技术参数 Main Specifications

- 接触电阻 (Contact resistance): $\leq 20m\Omega$
- 绝缘电阻 (Insulation resistance): $\geq 500M\Omega$
- 额定电压 (Rated voltage): 150V AC DC
- 额定电流 (Rated current): 1.0A AC DC
- 耐电压 (Withstand Voltage): 500V AC/minute
- 温度范围 (Temperature Range): $-25^{\circ}C \sim +85^{\circ}C$



25.00	29.70	42
23.75	28.45	40
22.50	27.20	38
21.25	25.95	36
20.00	24.70	34
18.75	23.45	32
17.50	22.20	30
16.25	20.95	28
15.00	19.70	26
13.75	18.45	24
12.50	17.20	22
11.25	15.95	20
10.00	14.70	18
8.75	13.45	16
7.50	12.20	14
6.25	10.95	12
5.00	9.70	10
3.75	8.45	8
B	A	CIRCUIT

A	HOUSING		PBT UL94 V-0	COLOR:WHITE
ITFM	COMPONENT	Q'TY	MATERIAL	FINISH

	GENERAL TOLERANCES		SCALE: 1:1	NAME	DATE
	LINEAR	ANGLES	APPROVED		
	0.0 ± 0.30	X° REF ± 6°	DESIGNER		
UNIT: MM	0.00 ± 0.20	X° ± 3°	DRAWN	肖坤权	2017.06.16
SIZE: A4	0.000 ± 0.10	X° X' ± 2°			

深圳市思拓展电子有限公司
 SHENZHEN SINOTOP ELECTRONICS CO., LTD
 公司网址: www.szstuo.cn 公司电话: 0755-23765350
 邮箱: 2850175982@qq.com 公司传真: 0755-23765341

PART. NO:	ST-WF-125-007Y
DWG. NO:	
REV:	A0
SHEET:	1/1

TITLE: 1.25mm PITCH HOUSING