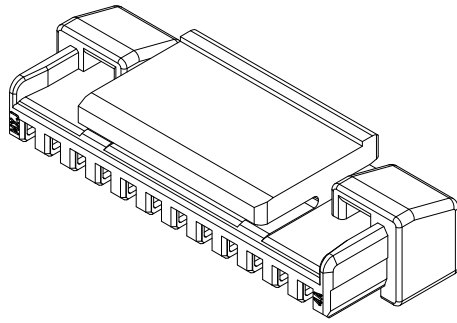


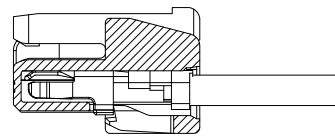
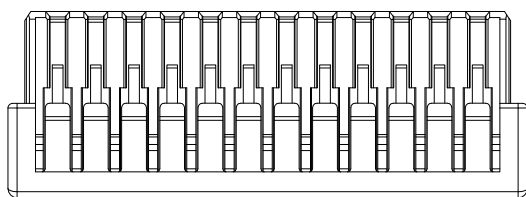
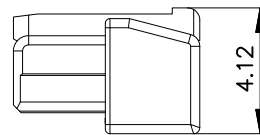
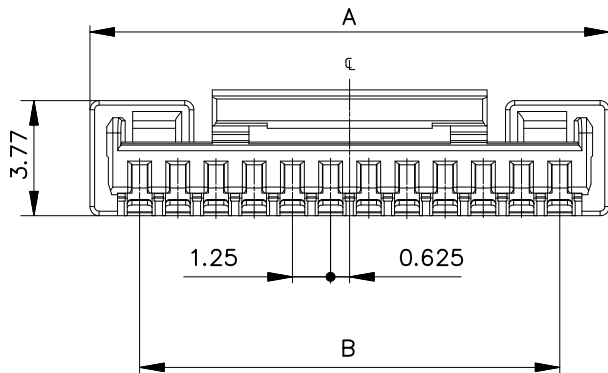
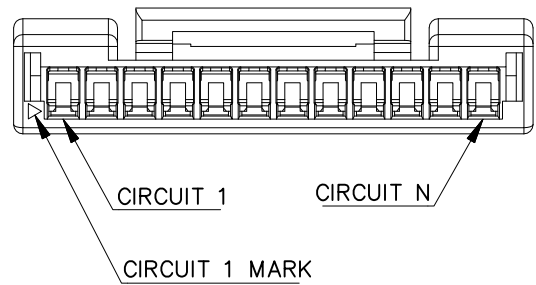
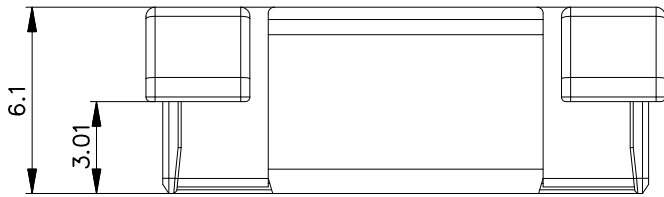
仅供参考

REV.	REVISION RECORD	DATE
A0	新图面发行	2017.06.16



主要技术参数 Main Specifications

- 线数 (Poles): 02 to 16
- 接触电阻 (Contact resistance): $\leq 20m\Omega$
- 绝缘电阻 (Insulation resistance): $\geq 500M\Omega$
- 额定电压 (Rated voltage): 150V AC DC
- 额定电流 (Rated current): 1.0A AC DC
- 耐电压 (Withstand Voltage): 500V AC/minute
- 温度范围 (Temperature Range): $-25^{\circ}C \sim +85^{\circ}C$



TERMINAL ASSEMBLY DRAWING

Part No	Dimensions	
	B	A
2P	1.25	4.50
3P	2.50	5.75
4P	3.75	7.00
5P	5.00	8.25
6P	6.25	9.50
7P	7.50	10.75
8P	8.75	12.00
9P	10.00	13.25
10P	11.25	14.50
11P	12.50	15.75
12P	13.75	17.00
13P	15.00	18.25
14P	16.25	19.50
15P	17.50	20.75
16P	18.75	22.00

A	HOUSING	2~16 PCS	PBT UL94 V-0	COLOR:WHITE
ITFM	COMPONENT	Q'TY	MATERIAL	FINISH

	GENERAL TOLERANCES		SCALE: 1:1	NAME	DATE
	LINEAR	ANGLES	APPROVED		
	0.0±0.30	X° REF±6°	DESIGNER		
	UNIT: MM	0.00±0.20	X° ±3°	DRAWN	肖坤权
SIZE: A4	0.000±0.10	X° X'±2°			

深圳市思拓展电子有限公司
 SHENZHEN SINOTOP ELECTRONICS CO., LTD
 公司网址: www.szstuo.cn 公司电话: 0755-23765350
 邮箱: 2850175982@qq.com 公司传真: 0755-23765341

PART. NO:	ST-WF-125-006Y
DWG. NO:	
REV:	A0
SHEET:	1/1

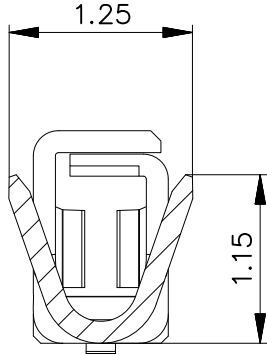
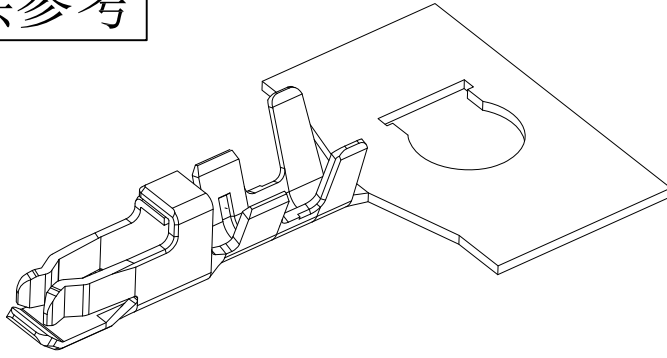
TITLE: 1.25mm PITCH HOUSING

仅供参考

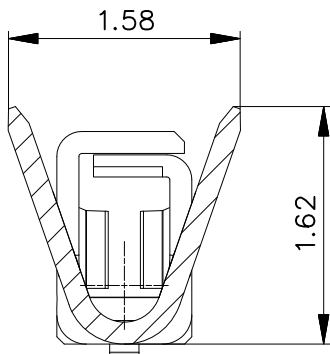
REV.	REVISION RECORD	DATE
A0	新图面发行	2017.06.16

主要技术参数 Main Specifications

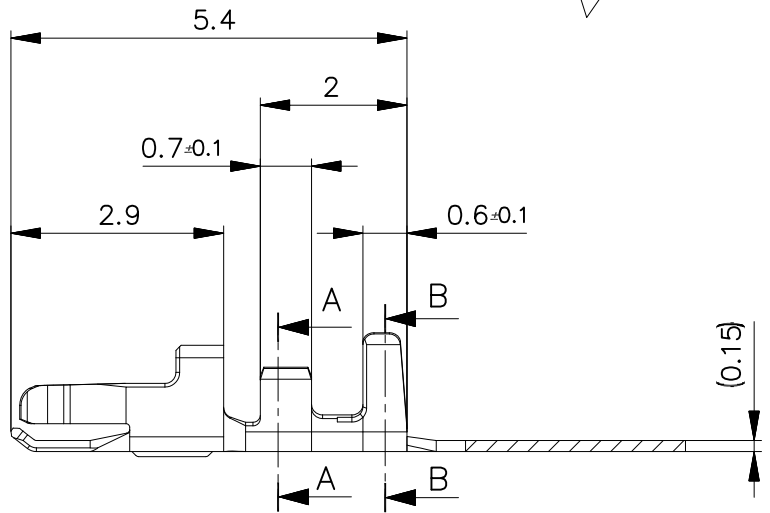
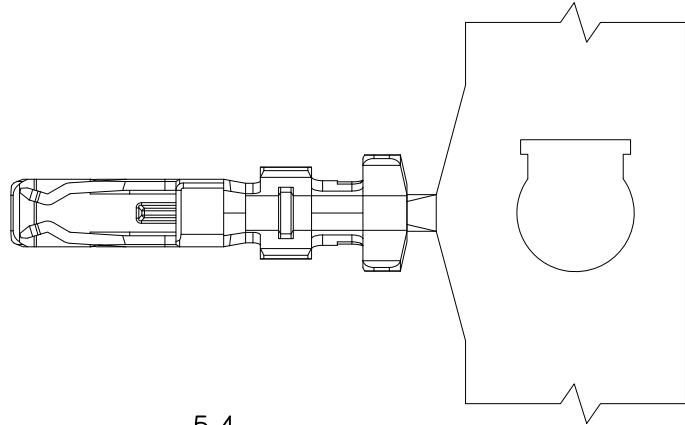
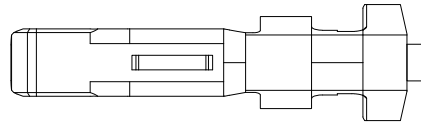
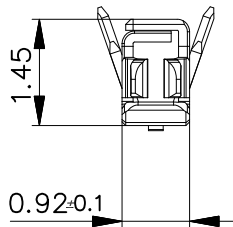
适用线规 (Applicable wire gauge): AWG#26~30
 接触电阻 (Contact resistance): $\leq 20m\Omega$
 绝缘电阻 (Insulation resistance): $\geq 500M\Omega$
 额定电压 (Rated voltage): 150V AC DC
 额定电流 (Rated current): 1.0A AC DC
 耐电压 (Withstand Voltage): 500V AC/minute
 温度范围 (Temperature Range): $-25^{\circ}C \sim +85^{\circ}C$



SECTION A-A



SECTION B-B



Wire Range	Insulation O. D.	Material	Finish	Qty/Reel
AWG#26~30	$\phi 0.78-1.02mm$	COPPER ALLOY	Tin-plated	

	GENERAL TOLERANCES		SCALE: 1:1	NAME	DATE	深圳市思拓展电子有限公司 SHENZHEN SINOTOP ELECTRONICS CO., LTD 公司网址: www.szsituo.cn 公司电话: 0755-23765350 邮箱: 2850175982@qq.com 公司传真: 0755-23765341	PART. NO: ST-WF-125-006T	
	LINEAR	ANGLES					APPROVED	DWG. NO:
UNIT: MM	0.0±0.30	X° REF±6°	DESIGNER	TITLE: 1.25mm PITCH TERMINAL		REV: A0	SHEET: 1/1	
SIZE: A4	0.00±0.20	X° ±3°	DRAWN	肖坤权	2017.06.16			