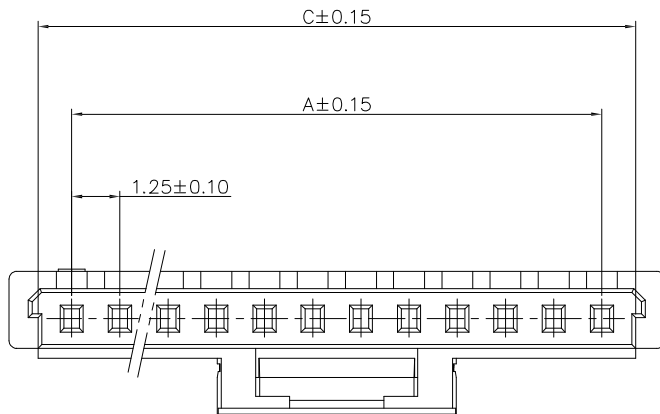
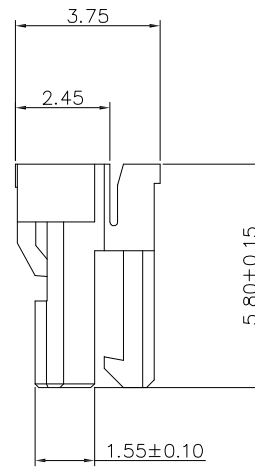
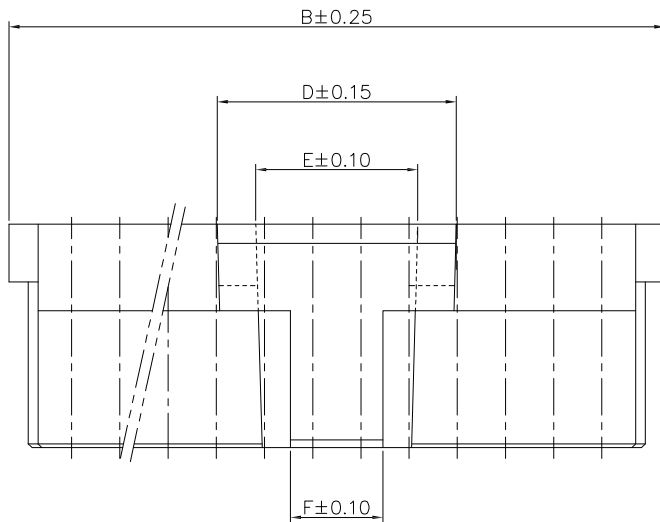


仅供参考

REV.	REVISION RECORD	DATE
A0	新图面发行	2017.06.16

主要技术参数 Main Specifications

线数 (Poles): 02 to 30
 接触电阻 (Contact resistance): $\leq 20m\Omega$
 绝缘电阻 (Insulation resistance): $\geq 500M\Omega$
 额定电压 (Rated voltage): 150V AC DC
 额定电流 (Rated current): 1.0A AC DC
 耐电压 (Withstand Voltage): 500V AC/minute
 温度范围 (Temperature Range): $-25^{\circ}C \sim +85^{\circ}C$



Order	A	B	C	D	E	F
2	1.25	4.45	2.95	2.45	1.45	0.60
3	2.50	5.70	4.20	3.95		
4	3.75	6.95	5.45			
5	5.00	8.20	6.70		2.95	1.20
6	6.25	9.45	7.95	4.95		
7	7.50	10.70	9.20			
8	8.75	12.95	10.45			
9	10.00	13.20	11.70			
10	11.25	14.45	12.95			
11	12.50	15.70	14.2			
12	13.75	16.95	15.45			
13	15.00	18.20	16.70			
14	16.25	19.45	17.95			
15	17.50	20.70	19.20			
16	18.75	21.95	20.45			
17	20.00	23.20	21.70			
18	21.25	24.45	22.95			
19	22.50	25.70	24.20	6.20	4.20	2.40
20	23.75	26.95	25.45			
21	25.00	28.20	26.70			
22	26.25	29.45	27.95			
23	27.50	30.70	29.20			
24	28.75	31.95	30.45			
25	30.00	33.20	31.70			
26	31.25	34.45	32.95			
27	32.50	35.70	34.20			
28	33.75	36.95	35.45			
29	35.00	38.20	36.70			
30	36.25	39.45	37.95			

A	HOUSING	2~30 PCS	PA66	COLOR:WHITE
ITFM	COMPONENT	Q'TY	MATERIAL	FINISH

	GENERAL TOLERANCES		SCALE: 1:1	NAME	DATE
	LINEAR	ANGLES			
UNIT: MM	0.0±0.30	X° REF±6°	APPROVED		
SIZE: A4	0.000±0.10	X° X'±2°	DESIGNER		
			DRAWN	肖坤权	2017.06.16

深圳市思拓展电子有限公司
 SHENZHEN SINOTOP ELECTRONICS CO., LTD
 公司网址: www.szstuo.cn 公司电话: 0755-23765350
 邮 箱: 2850175982@qq.com 公司传真: 0755-23765341

TITLE:
1. 25mm PITCH HOUSING

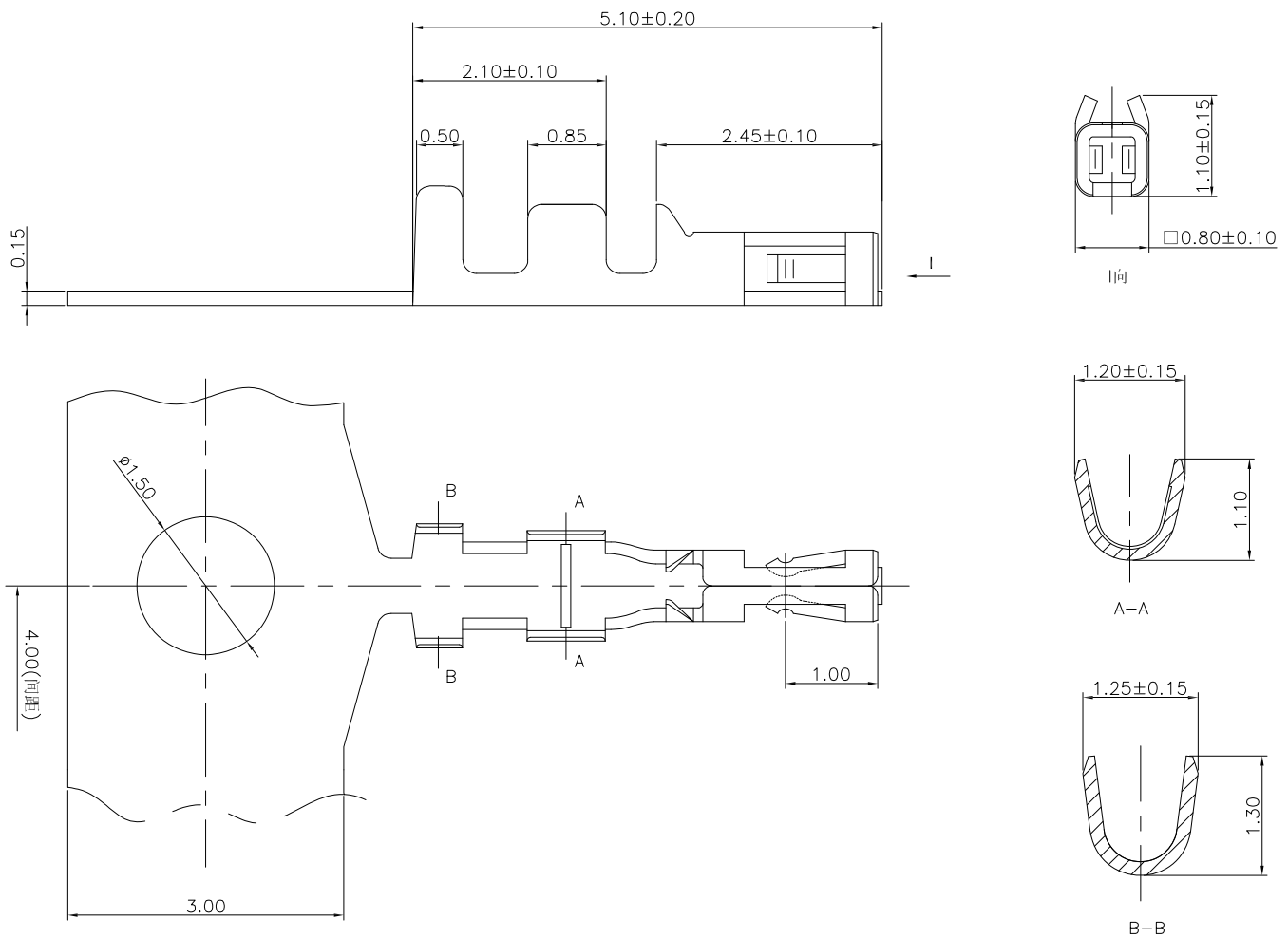
PART. NO:	ST-WF-125-005Y
DWG. NO:	
REV:	A0
SHEET:	1/1

仅供参考

REV.	REVISION RECORD	DATE
A0	新图面发行	2017.06.16

主要技术参数 Main Specifications

适用线规 (Applicable wire gauge): AWG28#~32#
 接触电阻 (Contact resistance): $\leq 20m\Omega$
 绝缘电阻 (Insulation resistance): $\geq 500M\Omega$
 额定电压 (Rated voltage): 150V AC DC
 额定电流 (Rated current): 1.0A AC DC
 耐电压 (Withstand Voltage): 500V AC/minute
 温度范围 (Temperature Range): $-25^{\circ}C \sim +85^{\circ}C$



Wire Range	Insulation O. D.	Material	Finish	Qty/Reel
		Phosphor bronze	Tin-plated	

	GENERAL TOLERANCES		SCALE: 1:1	NAME	DATE	深圳市思拓展电子有限公司 SHENZHEN SINOTOP ELECTRONICS CO., LTD 公司网址: www.szstuo.cn 公司电话: 0755-23765350 邮箱: 2850175982@qq.com 公司传真: 0755-23765341	PART. NO:	
	LINEAR	ANGLES	APPROVED				ST-WF-125-005T	
UNIT: MM	0.0±0.30	X° REF±6°	DESIGNER			TITLE:	DWG. NO:	
SIZE: A4	0.000±0.10	X° X'±2°	DRAWN	肖坤权	2017.06.16		1.25mm PITCH TERMINAL	REV: A0