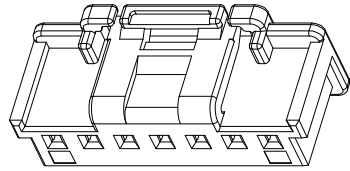


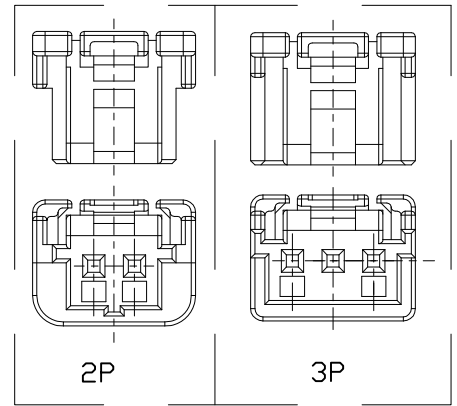
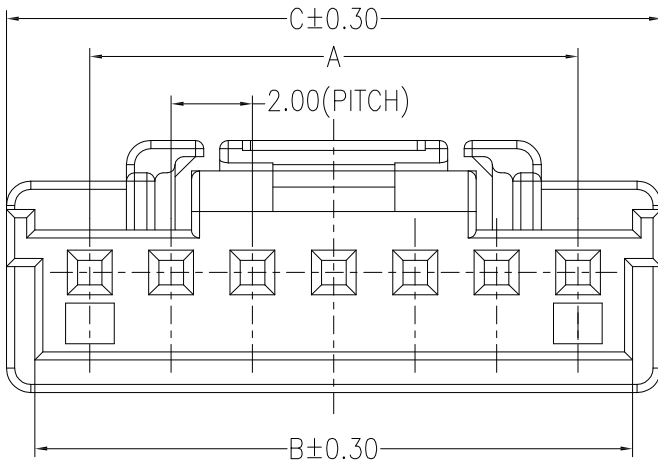
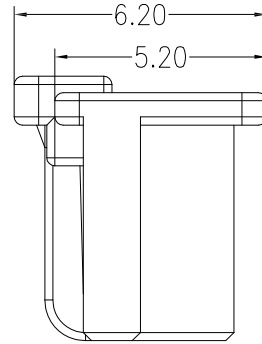
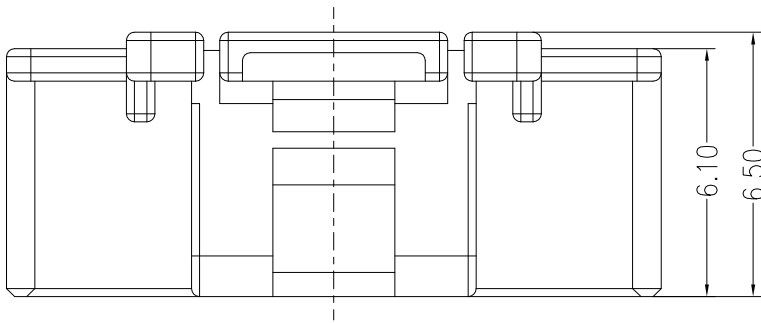
仅供参考

REV.	REVISION RECORD	DATE
A0	新图面发行	2017.06.16



主要技术参数 Main Specifications

线 数 (Poles): 02 to 15  
 材 质 (Material): PBT UL94V-0  
 接触电阻 (Contact resistance):  $\leq 10m\Omega$   
 绝缘电阻 (Insulation resistance):  $\geq 1000M\Omega$   
 额定电压 (Rated voltage): 125V AC DC  
 额定电流 (Rated current): 3.0A AC DC  
 耐 电 压 (Withstand Voltage): 500V AC/minute  
 温度范围 (Temperature Range):  $-40^{\circ}C \sim +105^{\circ}C$



PIN.	DIM A	DIM B	DIM C
2pin	2.00	4.70	8.00
3pin	4.00	6.70	8.10
4pin	6.00	8.70	10.10
5pin	8.00	10.70	12.10
6pin	10.00	12.70	14.10
7pin	12.00	14.70	16.10
8pin	14.00	16.70	18.10
9pin	16.00	18.70	20.10
10pin	18.00	20.70	22.10
11pin	20.00	22.70	24.10
12pin	22.00	24.70	26.10
13pin	24.00	26.70	28.10
14pin	26.00	28.70	30.10
15pin	28.00	30.70	32.10

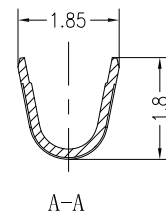
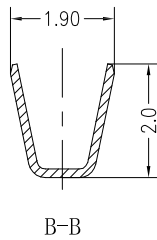
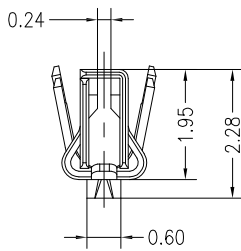
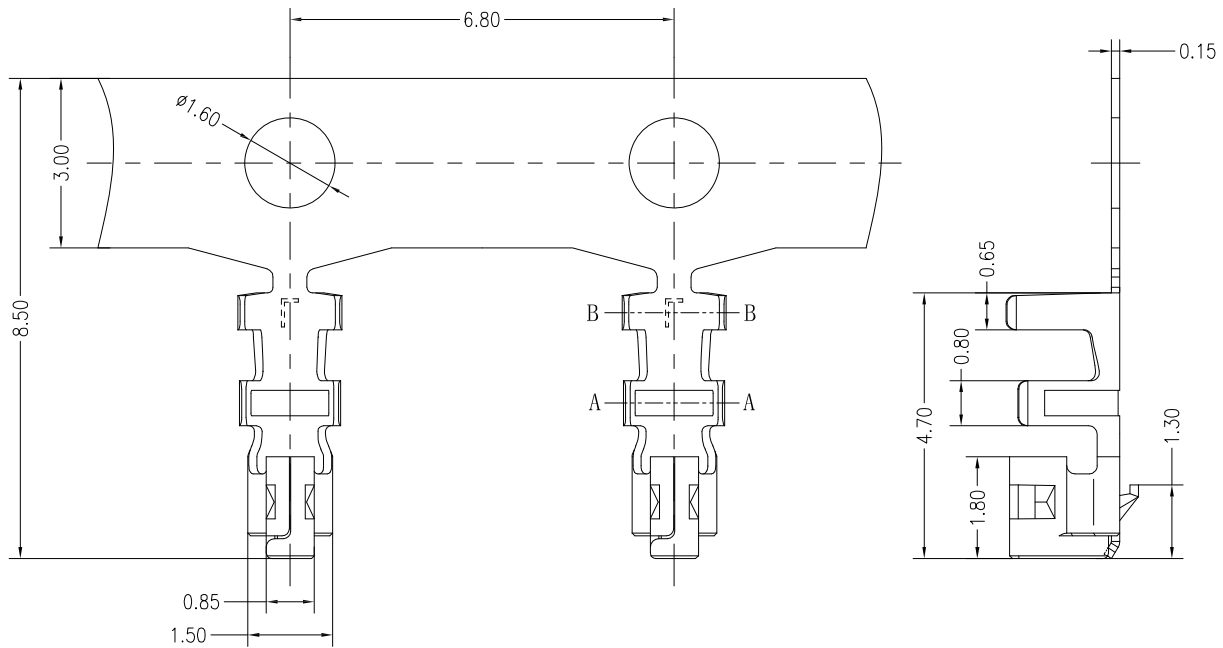
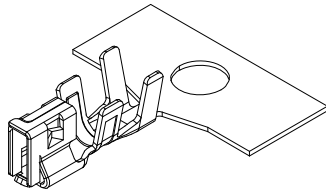
	GENERAL TOLERANCES		SCALE: 1:1	NAME	DATE	深圳市思拓展电子有限公司 SHENZHEN SINOTOP ELECTRONICS CO., LTD 公司网址: www.szstuo.cn 公司电话: 0755-23765350 邮 箱: 2850175982@qq.com 公司传真: 0755-23765341	PART. NO: ST-WF-200-009Y	
	LINEAR	ANGLES					APPROVED	DWG. NO:
UNIT: MM	0.0±0.30	X° REF±6°	DESIGNER	TITLE: 2.00mmPITCH HOUSING		REV: A0	SHEET: 1/1	
SIZE: A4	0.000±0.10	X° X'±2°	DRAWN	肖坤权	2017.06.16			

仅供参考

REV.	REVISION RECORD	DATE
A0	新图面发行	2017.06.16

主要技术参数 Main Specifications

- 接触电阻 (Contact resistance):  $\leq 20m\Omega$
- 绝缘电阻 (Insulation resistance):  $\geq 1000M\Omega$
- 额定电压 (Rated voltage): 150V AC DC
- 额定电流 (Rated current): 3.0A AC DC
- 耐电压 (Withstand Voltage): 500V AC/minute
- 温度范围 (Temperature Range):  $-25^{\circ}C \sim +85^{\circ}C$



Wire Range	Insulation O. D.	Material	Finish	Qty/Reel
AWG #22~#26	1.40mm (max)	Phosphor bronze	Tin-plated	

	GENERAL TOLERANCES		SCALE: 1:1	NAME	DATE	深圳市思拓展电子有限公司 SHENZHEN SINOTOP ELECTRONICS CO., LTD 公司网址: www.szsituo.cn    公司电话: 0755-23765350 电子邮箱: 2850175982@qq.com    公司传真: 0755-23765341	PART. NO: ST-WF-200-009T	
	LINEAR	ANGLES					APPROVED	DWG. NO:
UNIT: MM	0.00±0.30	X° REF±6°	DESIGNER	TITLE: 2.00mm PITCH TERMINAL		REV: A0	SHEET: 1/1	
SIZE: A4	0.000±0.10	X° X'±2°	DRAWN	肖坤权	2017.06.16			