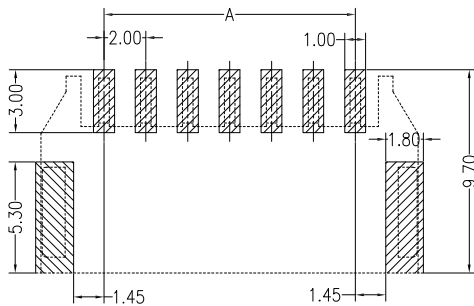
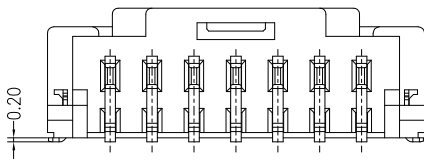
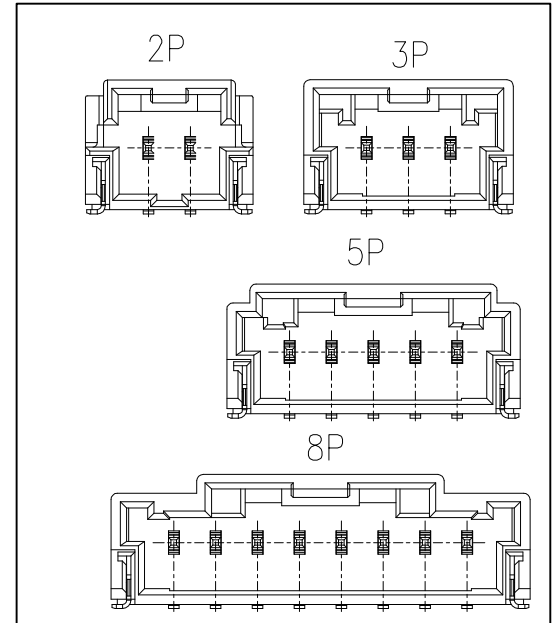
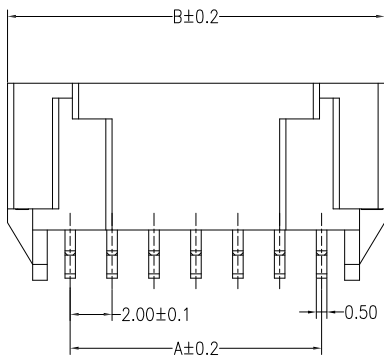
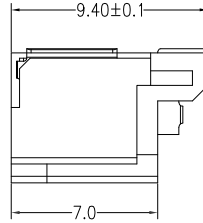
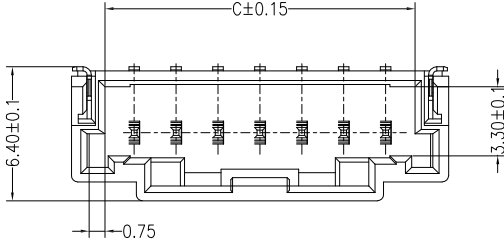
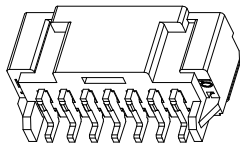


仅供参考

REV.	REVISION RECORD	DATE
A0	新图面发行	2017.06.16

主要技术参数 Main Specifications

线数 (Poles): 02 to 15
 接触电阻 (Contact resistance): $\leq 10m\Omega$
 绝缘电阻 (Insulation resistance): $\geq 1000M\Omega$
 额定电压 (Rated voltage): 125V AC DC
 额定电流 (Rated current): 3.0A AC DC
 耐电压 (Withstand Voltage): 500V AC/minute
 温度范围 (Temperature Range): $-40^{\circ}C \sim +105^{\circ}C$



PCB LAYOUT

PIN.	DIM A	DIM B	DIM C
2pin	2.00	8.00	4.80
3pin	4.00	10.00	6.80
4pin	6.00	12.00	8.80
5pin	8.00	14.00	10.80
6pin	10.00	16.00	12.80
7pin	12.00	18.00	14.80
8pin	14.00	20.00	16.80
9pin	16.00	22.00	18.80
10pin	18.00	24.00	20.80
11pin	20.00	26.00	22.80
12pin	22.00	28.00	24.80
13pin	24.00	30.00	26.80
14pin	26.00	32.00	28.80
15pin	28.00	34.00	30.80

ITEM	COMPONENT	Q'TY	MATERIAL	FINISH
C	SOLDER TAB	2 PCS	PhosphorBronze	MATTE Sn-plated
B	CONTACT	2~15 PCS	PhosphorBronze	MATTE Sn-plated
A	HOUSING	1 PCS	PA9T	UL 94V-0, COLOR:BEIGE

	GENERAL TOLERANCES		SCALE:	NAME	DATE
	LINEAR	ANGLES	1:1		
	0.0±0.30	X° REF±6°	APPROVED		
	UNIT: MM	0.00±0.20	X° ±3°	DESIGNER	
SIZE: A4	0.000±0.10	X° X'±2°	DRAWN	肖坤权	2017.06.16

深圳市思拓展电子有限公司
 SHENZHEN SINOTOP ELECTRONICS CO., LTD
 公司网址: www.szstuo.cn 公司电话: 0755-23765350
 邮 箱: 2850175982@qq.com 公司传真: 0755-23765341

TITLE: 2.00mmPITCH 90° WAFER SMT TYPE

PART. NO:	ST-WF-200-009AWR
DWG. NO:	
REV:	A0
SHEET:	1/1