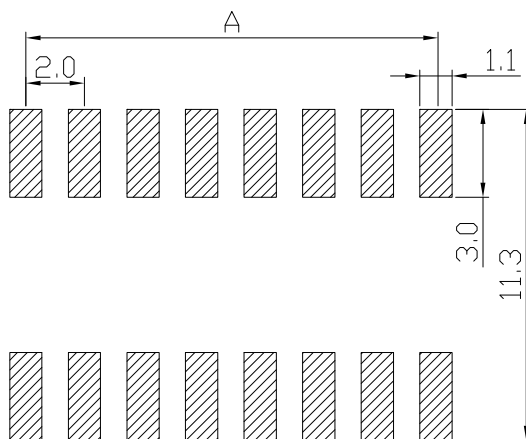
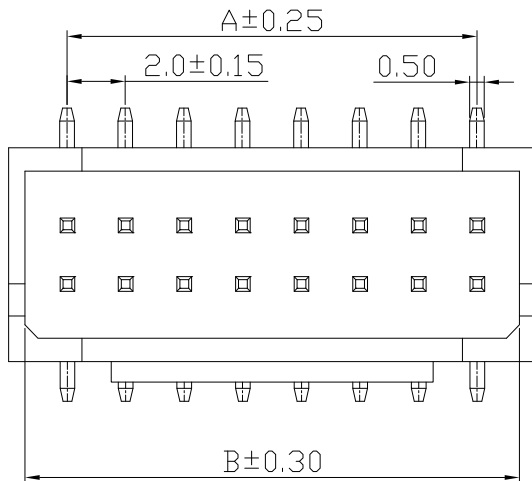
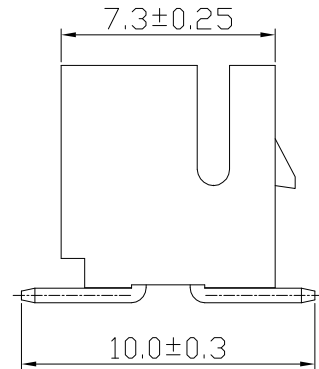
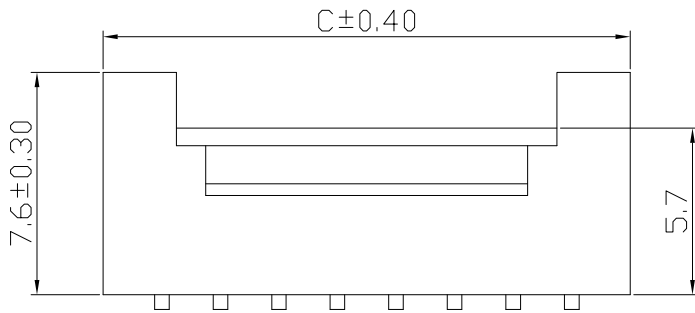


仅供参考

REV.	REVISION RECORD	DATE
A0	新图面发行	2017.06.16

主要技术参数 Main Specifications

线 数 (Poles): 04 to 40
 接触电阻 (Contact resistance): $\leq 30m\Omega$
 绝缘电阻 (Insulation resistance): $\geq 1000M\Omega$
 额定电压 (Rated voltage): 250V AC DC
 额定电流 (Rated current): 3.0A AC DC
 耐 电 压 (Withstand Voltage): 1000V AC/minute
 温度范围 (Temperature Range) : $-25^{\circ}C \sim +85^{\circ}C$



PCB LAYOUT

Circuits	Dimensions (mm)		
	DIM. A	DIM. B	DIM. C
2*2	2.00	4.90	6.00
2*3	4.00	6.90	8.00
2*4	6.00	8.90	10.00
2*5	8.00	10.90	12.00
2*6	10.00	12.90	14.00
2*7	12.00	14.90	16.00
2*8	14.00	16.90	18.00
2*9	16.00	18.90	20.00
2*10	18.00	20.90	22.00
2*11	20.00	22.90	24.00
2*12	22.00	24.90	26.00
2*13	24.00	26.90	28.00
2*14	26.00	28.90	30.00
2*15	28.00	30.90	32.00
2*16	30.00	32.90	34.00
2*17	32.00	34.90	36.00
2*18	34.00	36.90	38.00
2*19	36.00	38.90	40.00
2*20	38.00	40.90	42.00

B	CONTACT	2*2~2*20PCS	Brass	Sn-plated
A	PEDESTAL	1 PCS	PA66	94V-0, COLOR:BEIGE
ITEM	COMPONENT	Q'TY	MATERIAL	FINISH

	GENERAL TOLERANCES		SCALE:	NAME	DATE
	LINEAR	ANGLES	1:1		
	0.0±0.30	X° REF±6°	APPROVED		
UNIT: MM	0.00±0.20	X° ±3°	DESIGNER		
SIZE: A4	0.000±0.10	X° X'±2°	DRAWN	肖坤权	2017.06.16

深圳市思拓展电子有限公司
 SHENZHEN SINOTOP ELECTRONICS CO., LTD
 公司网址: www.szstuo.cn 公司电话: 0755-23765350
 邮 箱: 2850175982@qq.com 公司传真: 0755-23765341

TITLE: 2.00mmPITCH 180° WAFER SMT TYPE

PART. NO:	ST-WF-200-004AWV
DWG. NO:	
REV:	A0
SHEET:	1/1