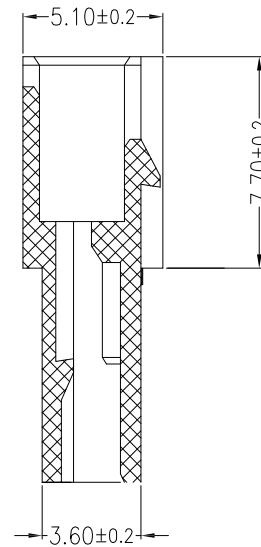
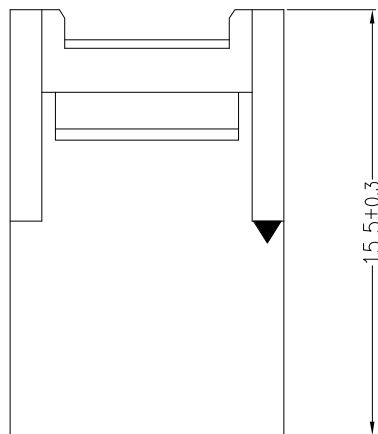
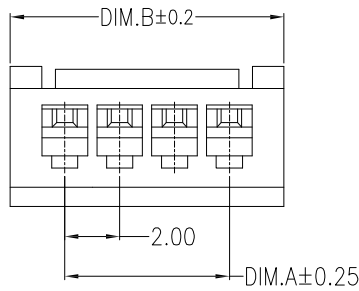


仅供参考

REV.	REVISION RECORD	DATE
A0	新图面发行	2017.06.16

**主要技术参数 Main Specifications**

线 数 (Poles): 02 to 16  
 接触电阻 (Contact resistance):  $\leq 20m\Omega$   
 绝缘电阻 (Insulation resistance):  $\geq 1000M\Omega$   
 额定电压 (Rated voltage): 250V AC DC  
 额定电流 (Rated current): 2.0A AC DC  
 耐 电 压 (Withstand Voltage): 1000V AC/minute  
 温度范围 (Temperature Range):  $-25^{\circ}C \sim +85^{\circ}C$



Circuits	Dimensions (mm)	
	A	B
02	2.00	6.00
03	4.00	8.00
04	6.00	10.0
05	8.00	12.0
06	10.00	14.0
07	12.00	16.0
08	14.00	18.0
09	16.00	20.0
10	18.00	22.0
11	20.00	24.0
12	22.00	26.0
13	24.00	28.0
14	26.00	30.0
15	28.00	32.0
16	30.00	34.0

A	HOUSING	1 PCS	PA66	COLOR:WHITE
ITFM	COMPONENT	Q'TY	MATERIAL	FINISH

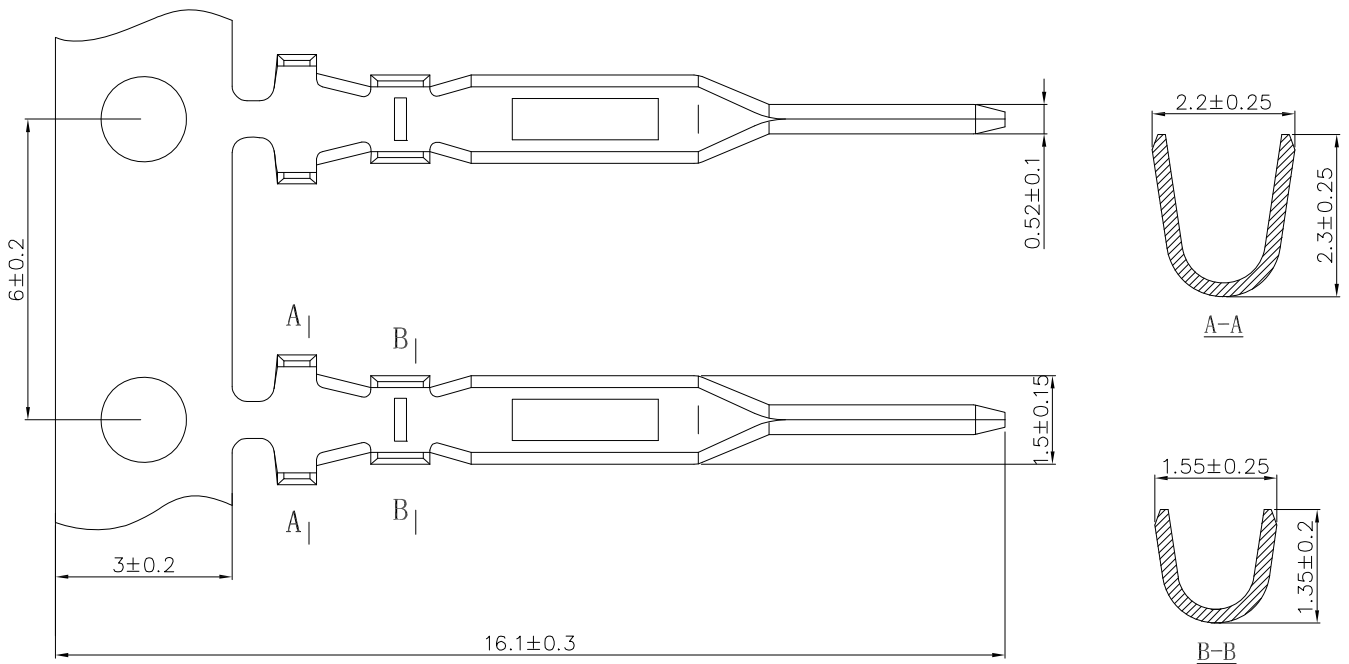
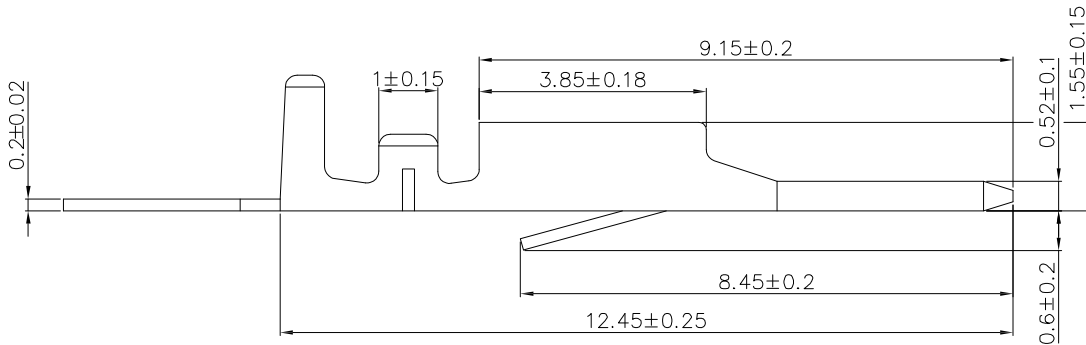
	GENERAL TOLERANCES		SCALE: 1:1	NAME	DATE	深圳市思拓展电子有限公司 SHENZHEN SINOTOP ELECTRONICS CO., LTD 公司网址: www.szstuo.cn 公司电话: 0755-23765350 邮 箱: 2850175982@qq.com 公司传真: 0755-23765341	PART. NO: ST-WF-200-003R
	LINEAR	ANGLES	APPROVED				DWG. NO:
UNIT: MM	0.00±0.20	X° ±3°	DESIGNER			TITLE: 2.00mm PITCH HOUSING	REV: A0 SHEET: 1/1
SIZE: A4	0.000±0.10	X° X' ±2°	DRAWN	肖坤权	2017.06.16		

仅供参考

REV.	REVISION RECORD	DATE
A0	新图面发行	2017.06.16

**主要技术参数 Main Specifications**

- 接触电阻 (Contact resistance):  $\leq 20m\Omega$
- 绝缘电阻 (Insulation resistance):  $\geq 1000M\Omega$
- 额定电压 (Rated voltage): 150V AC DC
- 额定电流 (Rated current): 3.0A AC DC
- 耐电压 (Withstand Voltage): 500V AC/minute
- 温度范围 (Temperature Range):  $-25^{\circ}C \sim +85^{\circ}C$



Wire Range	Insulation O. D.	Material	Finish	Qty/Reel
AWG #22~#28	1.0~1.50mm	Phosphor bronze	Tin-plated	

	GENERAL TOLERANCES		SCALE: 1:1	NAME	DATE	深圳市思拓展电子有限公司 SHENZHEN SINOTOP ELECTRONICS CO., LTD 公司网址: www.szstuo.cn    公司电话: 0755-23765350 邮 箱: 2850175982@qq.com    公司传真: 0755-23765341	PART. NO: <b>ST-WF-200-003RT</b>	
	LINEAR	ANGLES	APPROVED				DWG. NO:	
	0.0±0.30	X° REF±6°	DESIGNER				REV: A0    SHEET: 1/1	
	UNIT: MM	0.00±0.20	X° ±3°	DRAWN	肖坤权		2017.06.16	TITLE: 2.00mm PITCH TERMINAL
SIZE: A4	0.000±0.10	X° X'±2°						