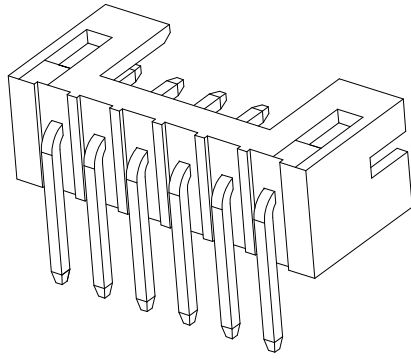


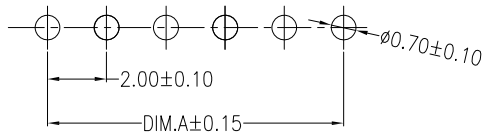
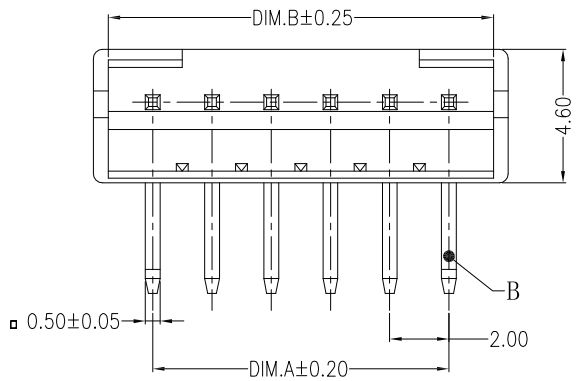
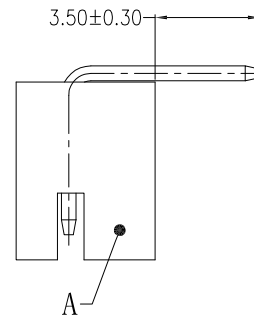
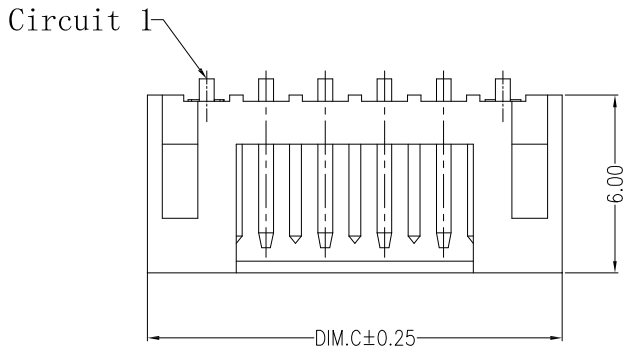
仅供参考



REV.	REVISION RECORD	DATE
A0	新图面发行	2017.06.16

主要技术参数 Main Specifications

线数 (Poles): 02 to 16  
 接触电阻 (Contact resistance):  $\leq 20m\Omega$   
 绝缘电阻 (Insulation resistance):  $\geq 1000M\Omega$   
 额定电压 (Rated voltage): 100V AC DC  
 额定电流 (Rated current): 2.0A AC DC  
 耐电压 (Withstand Voltage): 1000V AC/minute  
 温度范围 (Temperature Range):  $-25^{\circ}C \sim +85^{\circ}C$



SUGGESTED PCB LAYOUT  
(COMPONENT SIDE)

Circuits	Dimensions (mm)		
	DIM. A	DIM. B	DIM. C
02	2.00	5.00	6.00
03	4.00	7.00	8.00
04	6.00	9.00	10.00
05	8.00	11.00	12.00
06	10.00	13.00	14.00
07	12.00	15.00	16.00
08	14.00	17.00	18.00
09	16.00	19.00	20.00
10	18.00	21.00	22.00
11	20.00	22.00	24.00
12	22.00	25.00	26.00
13	24.00	27.00	28.00
14	26.00	29.00	30.00
15	28.00	31.00	32.00
16	30.00	33.00	34.00

B	CONTACT	2~16 PCS	Brass	Tin-plated
A	PEDESTAL	1 PCS	PA66	COLOR:WHITE
ITEM	COMPONENT	Q'TY	MATERIAL	FINISH

	GENERAL TOLERANCES		SCALE: 1:1	NAME	DATE
	LINEAR	ANGLES	APPROVED		
UNIT: MM	0.0 ± 0.30	X° REF ± 6°	DESIGNER		
SIZE: A4	0.000 ± 0.10	X° X' ± 2°	DRAWN	肖坤权	2017.06.16

深圳市思拓展电子有限公司  
 SHENZHEN SINOTOP ELECTRONICS CO., LTD  
 公司网址: www.szstuo.cn 公司电话: 0755-23765350  
 电子邮箱: 2850175982@qq.com 公司传真: 0755-23765341

TITLE: 2.00mm PITCH 90° WAFER DIP TYPE

PART. NO:	ST-WF-200-001AW
DWG. NO:	
REV:	A0
SHEET:	1/1