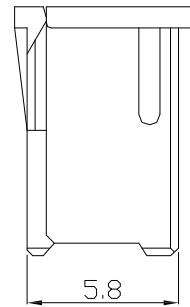
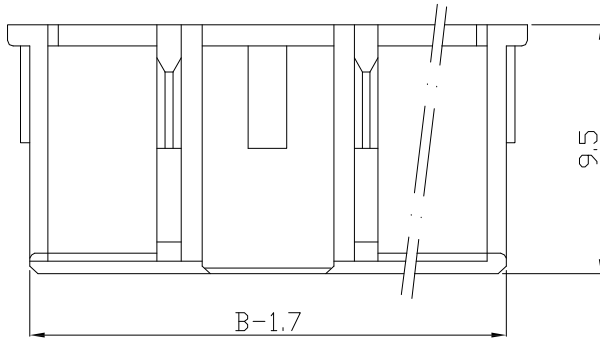
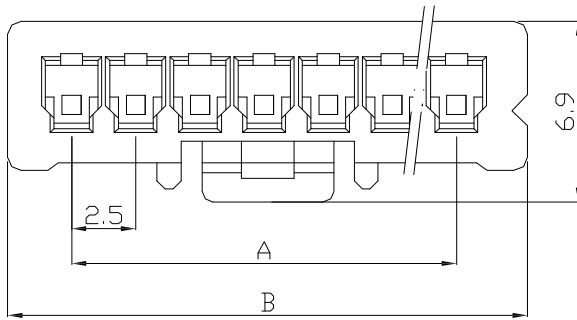
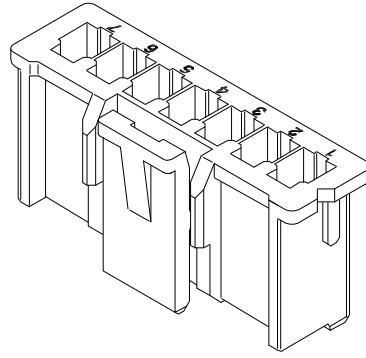


仅供参考


REV.	REVISION RECORD	DATE
A0	新图面发行	2017.06.16

主要技术参数 Main Specifications

线数 (Poles): 02~20  
 接触电阻 (Contact resistance):  $\leq 20m\Omega$   
 绝缘电阻 (Insulation resistance):  $\geq 1000M\Omega$   
 额定电压 (Rated voltage): 250V AC DC  
 额定电流 (Rated current): 3.0A AC DC  
 耐电压 (Withstand Voltage): 1000V AC/minute  
 温度范围 (Temperature Range):  $-25^{\circ}C \sim +85^{\circ}C$



Poles	Dimensions mm	
	A	B
2	2.50	7.30
3	5.00	9.80
4	7.50	12.30
5	10.00	14.80
6	12.50	17.30
7	15.00	19.80
8	17.50	22.30
9	20.00	24.80
10	22.50	27.30
11	25.00	29.80
12	27.50	32.30
13	30.00	34.80
14	32.50	37.30
15	35.00	39.80
16	37.50	42.30
17	40.00	44.80
18	42.50	47.30
19	45.00	49.80
20	47.50	52.30

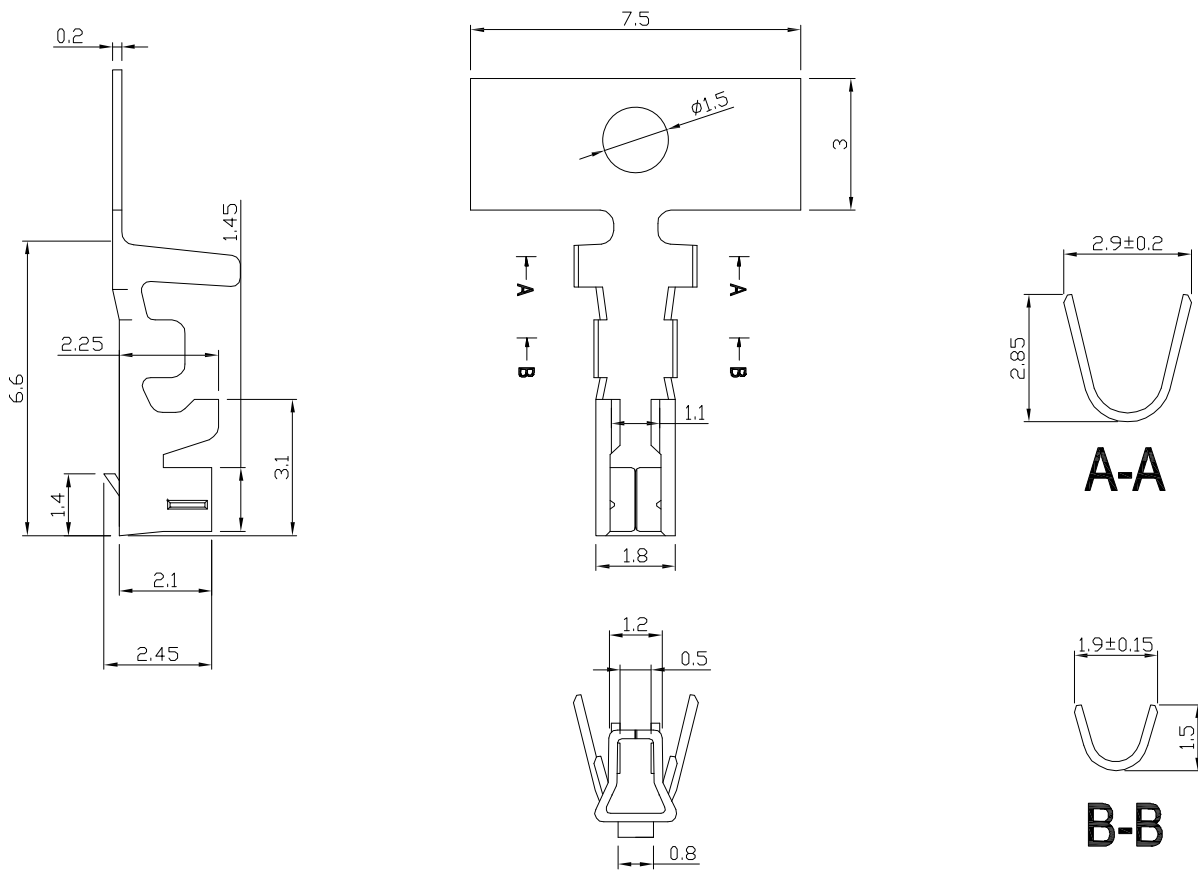
A	HOUSING	1 PCS	PA66	COLOR:WHITE
ITFM	COMPONENT	Q'TY	MATERIAL	FINISH
SCALE: 1:1		NAME	DATE	 深圳市思拓展电子有限公司 SHENZHEN SINOTOP ELECTRONICS CO., LTD 公司网址: www.szstuo.cn    公司电话: 0755-23765350 销售热线: 2850175982@qq.com    公司传真: 0755-23765341
GENERAL TOLERANCES		APPROVED		
LINEAR: 0.0±0.30 ANGLES: X° REF±6°		DESIGNER		PART. NO: <b>ST-WF-250-006Y</b> DWG. NO:
UNIT: MM SIZE: A4		DRAWN	肖坤权 2017.06.16	
0.00±0.20 X° ±3°		TITLE: 2.50mm PITCH HOUSING		REV: A0
0.000±0.10 X° X' ±2°				SHEET: 1/1

仅供参考

REV.	REVISION RECORD	DATE
A0	新图面发行	2017.06.16

主要技术参数 Main Specifications

- 接触电阻 (Contact resistance):  $\leq 20m\Omega$
- 绝缘电阻 (Insulation resistance):  $\geq 1000M\Omega$
- 额定电压 (Rated voltage): 250V AC DC
- 额定电流 (Rated current): 3.0A AC DC
- 耐电压 (Withstand Voltage): 1000V AC/minute
- 温度范围 (Temperature Range):  $-25^{\circ}C \sim +85^{\circ}C$



Wire Range	Insulation O. D.	Material	Finish	Qty/Reel
AWG #20~#28	1.80mm (max)	Phosphor bronze	Tin-plated	8000PCS/Reel (1盘)

	GENERAL TOLERANCES		SCALE: 1:1	NAME	DATE	深圳市思拓展电子有限公司 SHENZHEN SINOTOP ELECTRONICS CO., LTD 公司网址: www.szstuo.cn 公司电话: 0755-23765350 邮箱: 2850175982@qq.com 公司传真: 0755-23765341	PART. NO: ST-WF-250-006T	
	LINEAR	ANGLES	APPROVED				DWG. NO:	
UNIT: MM	0.0±0.30	X° REF±6°	DESIGNER			TITLE:	REV: A0 SHEET: 1/1	
SIZE: A4	0.000±0.10	X° X'±2°	DRAWN	肖坤权	2017.06.16	2.50mm PITCH TERMINAL		