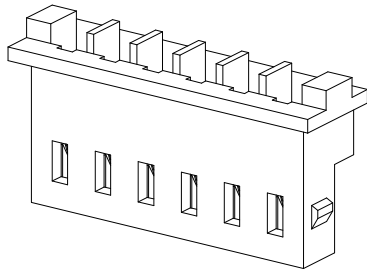


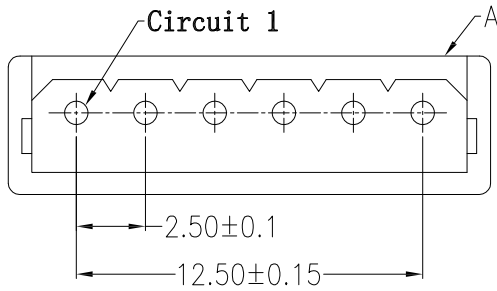
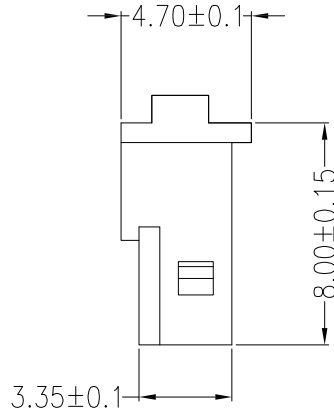
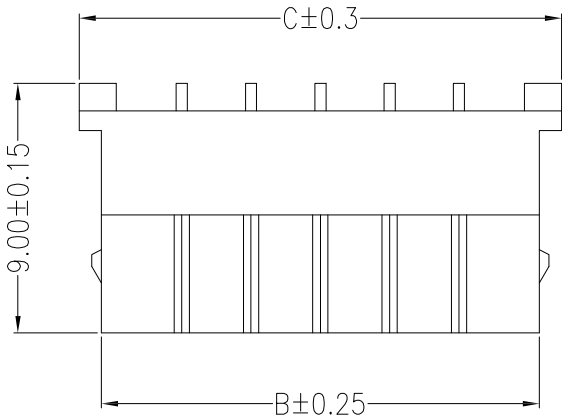
仅供参考

REV.	REVISION RECORD	DATE
A0	新图面发行	2017.06.16



主要技术参数 Main Specifications

线数 (Poles): 02~15
 接触电阻 (Contact resistance): $\leq 20m\Omega$
 绝缘电阻 (Insulation resistance): $\geq 1000M\Omega$
 额定电压 (Rated voltage): 250V AC DC
 额定电流 (Rated current): 3.0A AC DC
 耐电压 (Withstand Voltage): 1000V AC/minute
 温度范围 (Temperature Range): $-25^{\circ}C \sim +85^{\circ}C$



Circuits	Dimensions (mm)		
	A	B	C
02	2.50	8.00	7.40
03	5.00	8.30	9.90
04	7.50	10.80	12.40
05	10.00	13.30	14.90
06	12.50	15.80	17.40
07	15.00	18.30	19.90
08	17.50	20.80	22.40
09	20.00	23.30	24.90
10	22.50	25.80	27.40
11	25.00	28.30	29.90
12	27.50	30.80	32.40
13	30.00	33.30	34.90
14	32.50	35.80	37.40
15	35.00	38.30	39.90

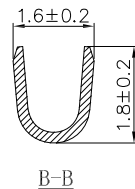
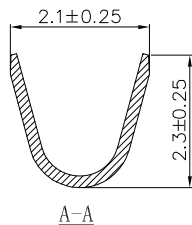
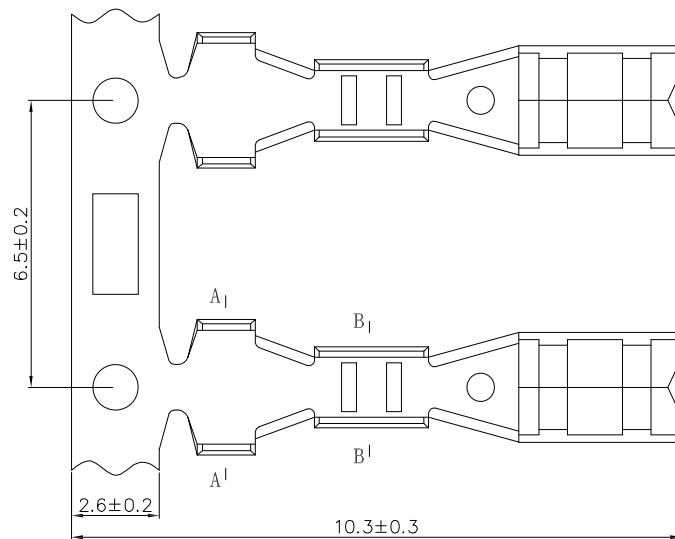
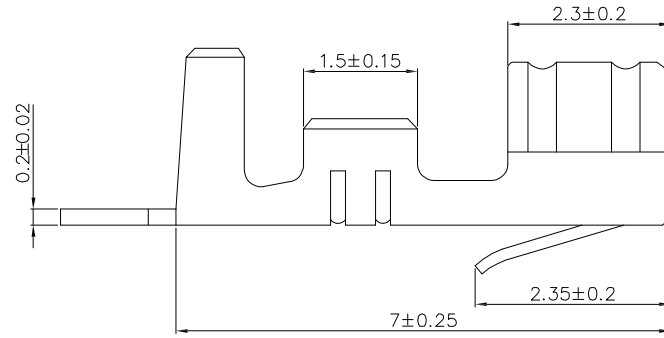
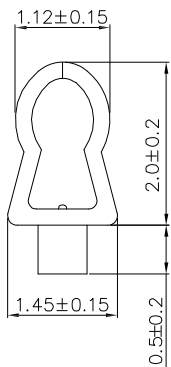
A	HOUSING	1 PCS	PA66	COLOR:WHITE
ITFM	COMPONENT	Q'TY	MATERIAL	FINISH
深圳市思拓展电子有限公司 SHENZHEN SINOTOP ELECTRONICS CO., LTD 公司网址: www.szstuo.cn 公司电话: 0755-23765350 邮 箱: 2850175982@qq.com 公司传真: 0755-23765341		PART. NO: ST-WF-250-005Y DWG. NO:		
UNIT: MM 0.00±0.20 X° ±3°		TITLE: 2.50mmPITCH HOUSING		REV: A0 SHEET: 1/1
GENERAL TOLERANCES	SCALE: 1:1	NAME	DATE	
LINEAR	APPROVED			
ANGLES	DESIGNER			
0.0±0.30	DRAWN	肖坤权	2017.06.16	
X° REF±6°				
X° ±3°				
X° X'±2°				

仅供参考

REV.	REVISION RECORD	DATE
A0	新图面发行	2017.06.16

主要技术参数 Main Specifications

- 接触电阻 (Contact resistance): $\leq 20m\Omega$
- 绝缘电阻 (Insulation resistance): $\geq 1000M\Omega$
- 额定电压 (Rated voltage): 250V AC DC
- 额定电流 (Rated current): 3.0A AC DC
- 耐电压 (Withstand Voltage): 1000V AC/minute
- 温度范围 (Temperature Range): $-25^{\circ}C \sim +85^{\circ}C$



Wire Range	Insulation O. D.	Material	Finish	Qty/Reel
AWG #22~#28	1.80mm (max)	Phosphor bronze	Tin-plated	

	GENERAL TOLERANCES		SCALE: 1:1	NAME	DATE	深圳市思拓展电子有限公司 SHENZHEN SINOTOP ELECTRONICS CO., LTD 公司网址: www.szsituo.cn 公司电话: 0755-23765350 邮箱: 2850175982@qq.com 公司传真: 0755-23765341	PART. NO: ST-WF-250-005T	
	LINEAR	ANGLES	APPROVED				DWG. NO:	
UNIT: MM	0.00±0.20	X° REF±6°	DESIGNER			TITLE:	REV: A0 SHEET: 1/1	
SIZE: A4	0.000±0.10	X° X'±2°	DRAWN	肖坤权	2017.06.16	2.50mm PITCH TERMINAL		