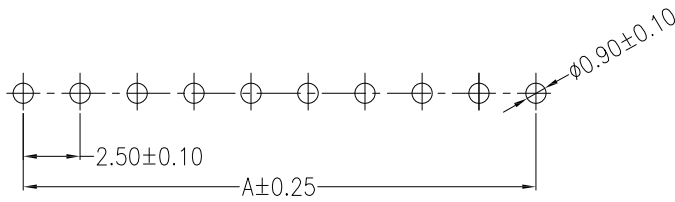
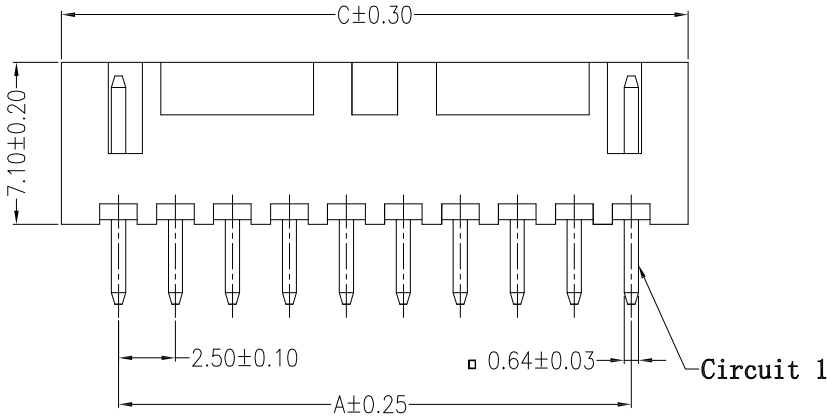
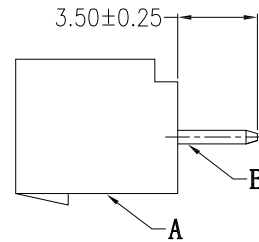
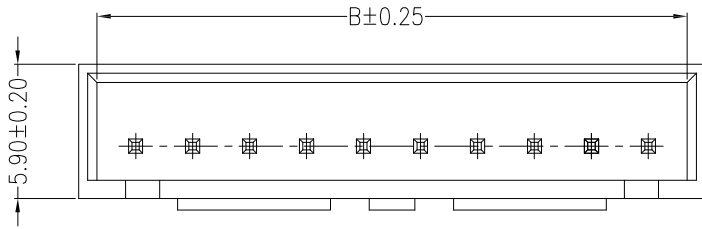
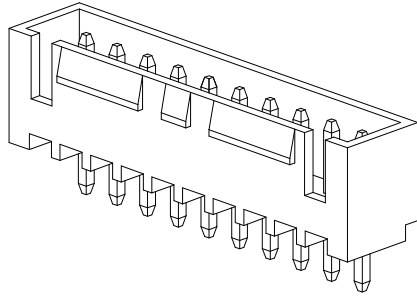


仅供参考

| | | |
|------|-----------------|------------|
| REV. | REVISION RECORD | DATE |
| A0 | 新图面发行 | 2017.06.16 |

主要技术参数 Main Specifications

线数 (Poles): 02 to 12
 接触电阻 (Contact resistance): $\leq 20m\Omega$
 绝缘电阻 (Insulation resistance): $\geq 1000M\Omega$
 额定电压 (Rated voltage): 250V AC DC
 额定电流 (Rated current): 3.0A AC DC
 耐电压 (Withstand Voltage): 1000V AC/minute
 温度范围 (Temperature Range): $-25^{\circ}C \sim +85^{\circ}C$



SUGGESTED PCB LAYOUT
(COMPONENT SIDE)

| Circuits | Dimensions (mm) | | |
|----------|-----------------|-------|-------|
| | A | B | C |
| 02 | 2.50 | 6.00 | 7.50 |
| 03 | 5.00 | 8.50 | 10.00 |
| 04 | 7.50 | 11.00 | 12.50 |
| 05 | 10.00 | 13.50 | 15.00 |
| 06 | 12.50 | 16.00 | 17.50 |
| 07 | 15.00 | 18.50 | 20.00 |
| 08 | 17.50 | 21.00 | 22.50 |
| 09 | 20.00 | 23.50 | 25.00 |
| 10 | 22.50 | 26.00 | 27.50 |
| 11 | 25.00 | 28.50 | 30.00 |
| 12 | 27.50 | 31.00 | 32.50 |

| | | | | |
|------|-----------|----------|----------|-----------------------|
| B | CONTACT | 2~12 PCS | Brass | Sn-plated |
| A | PEDESTAL | 1 PCS | PA66 | UL 94V-0, COLOR:WHITE |
| ITEM | COMPONENT | Q'TY | MATERIAL | FINISH |

| | | | | | | | |
|----------|--------------------|-------------|---------------|------|------------|---|-----------------------------|
| | GENERAL TOLERANCES | | SCALE: 1:1 | NAME | DATE | 深圳市思拓展电子有限公司 SHENZHEN SINOTOP ELECTRONICS CO., LTD 公司网址: www.szstuo.cn 公司电话: 0755-23765350 电子邮箱: 2850175982@qq.com 公司传真: 0755-23765341 | PART. NO: ST-WF-250-002A |
| | LINEAR | ANGLES | | | | | |
| UNIT: MM | 0.0 ± 0.30 | X° REF ± 6° | DESIGNER | | | TITLE: | DWG. NO: |
| SIZE: A4 | 0.000 ± 0.10 | X° X' ± 2° | DRAWN | 肖坤权 | 2017.06.16 | 2.50mm PITCH 180° WAFER DIP TYPE | REV: A0 SHEET: 1/1 |