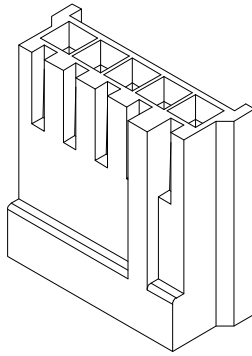


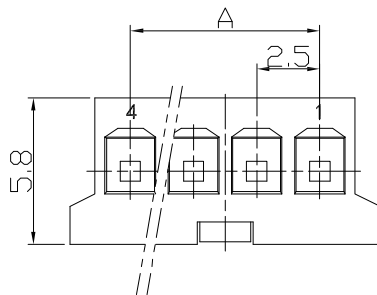
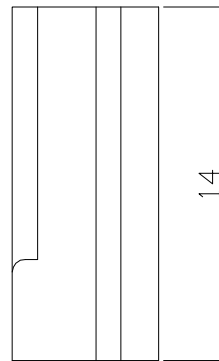
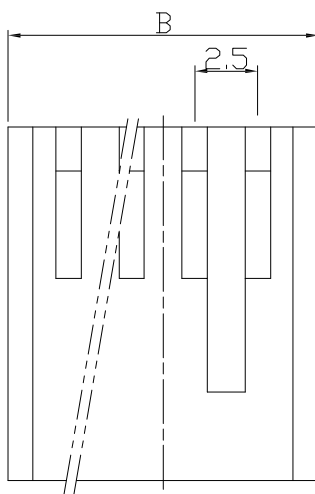
仅供参考

REV.	REVISION RECORD	DATE
A0	新图面发行	2017.06.16



主要技术参数 Main Specifications

线数 (Poles): 02~20
 接触电阻 (Contact resistance): $\leq 20m\Omega$
 绝缘电阻 (Insulation resistance): $\geq 1000M\Omega$
 额定电压 (Rated voltage): 250V AC DC
 额定电流 (Rated current): 3.0A AC DC
 耐电压 (Withstand Voltage): 1000V AC/minute
 温度范围 (Temperature Range): $-25^{\circ}C \sim +85^{\circ}C$



PIN	Dimensions	
	A	B
2P	2.50	6.90
3P	5.00	9.40
4P	7.50	11.90
5P	10.00	14.40
6P	12.50	16.90
7P	15.00	19.40
8P	17.50	21.90
9P	20.00	24.40
10P	22.50	26.90
11P	25.00	29.40
12P	27.50	31.90
13P	30.00	34.40
14P	32.50	36.90
15P	35.00	39.40
16P	37.50	41.90
17P	40.00	44.40
18P	42.50	46.90
19P	45.00	49.40
20P	47.50	51.90

A	HOUSING	1 PCS	PA66	COLOR:WHITE
ITFM	COMPONENT	Q'TY	MATERIAL	FINISH

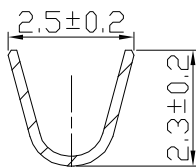
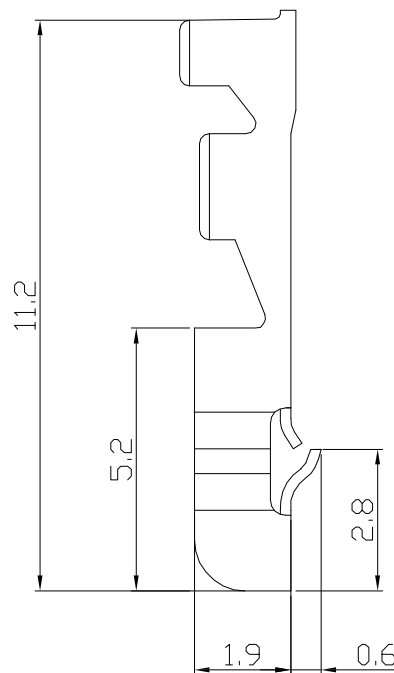
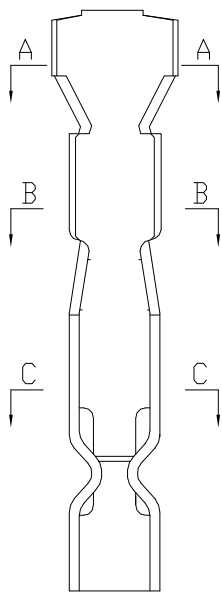
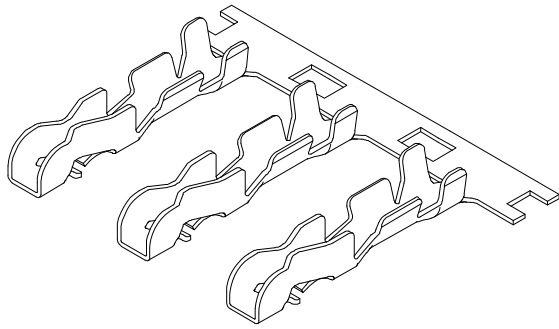
	GENERAL TOLERANCES		SCALE: 1:1	NAME	DATE	深圳市思拓展电子有限公司 SHENZHEN SINOTOP ELECTRONICS CO., LTD 公司网址: www.szstuo.cn 公司电话: 0755-23765350 邮 箱: 2850175982@qq.com 公司传真: 0755-23765341	PART. NO: ST-WF-250-010Y	
	LINEAR	ANGLES	APPROVED				DWG. NO:	
	0.0±0.30	X° REF±6°	DESIGNER				TITLE: 2.50mmPITCH HOUSING	REV: A0 SHEET: 1/1
	UNIT: MM	0.00±0.20	X° ±3°	DRAWN	肖坤权		2017.06.16	
SIZE: A4	0.000±0.10	X° X'±2°						

仅供参考

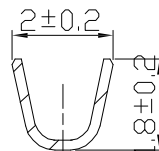
REV.	REVISION RECORD	DATE
A0	新图面发行	2017.06.16

主要技术参数 Main Specifications

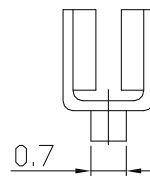
- 接触电阻 (Contact resistance): $\leq 20m\Omega$
- 绝缘电阻 (Insulation resistance): $\geq 1000M\Omega$
- 额定电压 (Rated voltage): 250V AC DC
- 额定电流 (Rated current): 3.0A AC DC
- 耐电压 (Withstand Voltage): 1000V AC/minute
- 温度范围 (Temperature Range): $-25^{\circ}C \sim +85^{\circ}C$



A-A



B-B



C-C

Wire Range	Insulation O. D.	Material	Finish	Qty/Reel
AWG #20~#26	1.80mm (max)	Phosphor bronze	Tin-plated	9000PCS Qty/reel

	GENERAL TOLERANCES		SCALE: 1:1	NAME	DATE	深圳市思拓展电子有限公司 SHENZHEN SINOTOP ELECTRONICS CO., LTD 公司网址: www.szstuo.cn 公司电话: 0755-23765350 邮 箱: 2850175982@qq.com 公司传真: 0755-23765341	PART. NO:
	LINEAR	ANGLES	APPROVED				ST-WF-250-010T
UNIT: MM	0.00±0.20	X° REF±6°	DESIGNER			TITLE:	DWG. NO:
SIZE: A4	0.000±0.10	X° X'±2°	DRAWN	肖坤权	2017.06.16	2.50mm PITCH TERMINAL	REV: A0 SHEET: 1/1