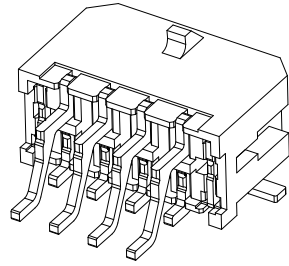


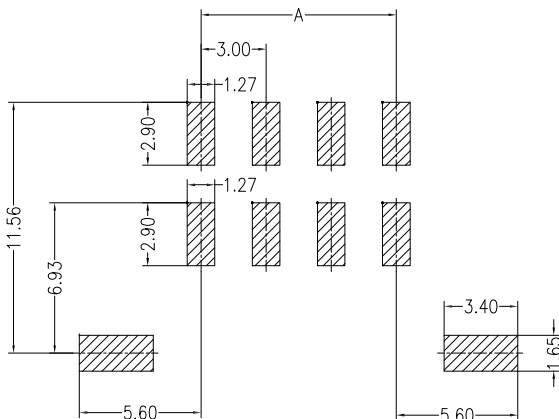
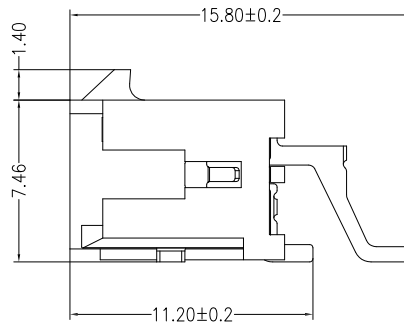
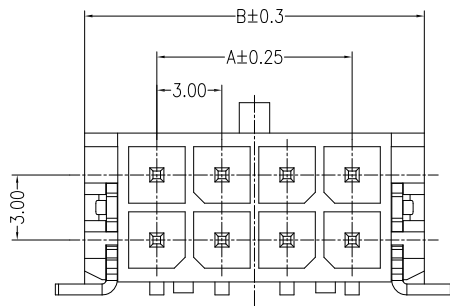
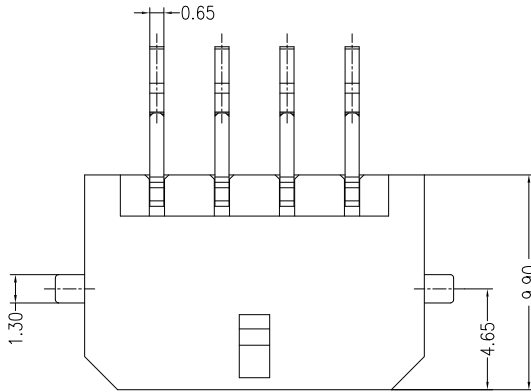
仅供参考

REV.	REVISION RECORD	DATE
A0	新图面发行	2017.06.16



Specifications:

- Contact resistance: $\leq 20m\Omega$
- Insulation resistance: $\geq 1000M\Omega$
- Rated voltage: 250V AC DC
- Rated current: 5.0A AC DC
- Withstand Voltage: 1000V AC/minute
- Temperature Range: $-25^{\circ}C \sim +85^{\circ}C$
- Housing: LCP UL94V-0, BLACK
- Contacts: Brass/MATTE Sn-plated
- Solder Tabs: Brass/MATTE Sn-plated



PCB LAYOUT(Tolerance:±0.05)

PIN	DIM A	DIM B
2x1		6.65
2x2	3.00	9.65
2x3	6.00	12.65
2x4	9.00	15.65
2x5	12.00	18.65
2x6	15.00	21.65
2x7	18.00	24.65
2x8	21.00	27.65
2x9	24.00	30.65
2x10	27.00	33.65
2x11	30.00	36.65
2x12	33.00	39.65

	GENERAL TOLERANCES		SCALE: 1:1	NAME	DATE	深圳市思拓展电子有限公司 SHENZHEN SINOTOP ELECTRONICS CO.,LTD 公司地址: www.szstuo.cn 公司电话: 0755-23765350 邮箱: 2850175982@qq.com 公司传真: 0755-23765341	PART. NO: ST-WF-300-002AWR	
	LINEAR	ANGLES					APPROVED	DWG. NO:
	0.0±0.30	X° REF±6°	DESIGNER					
	UNIT: MM	0.00±0.20	X° ±3°	TITLE: 3.00mmPITCH 90° WAFER SMT TYPE	REV: A0		SHEET: 1/1	
SIZE: A4	0.000±0.10	X° X'±2°	DRAWN	肖坤权	2017.06.16			