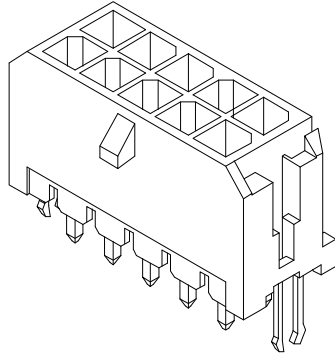


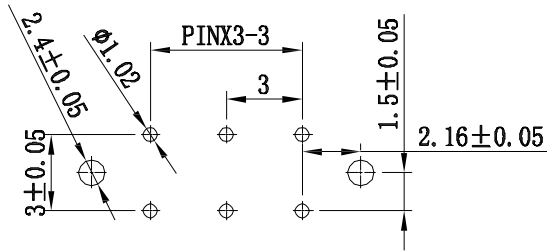
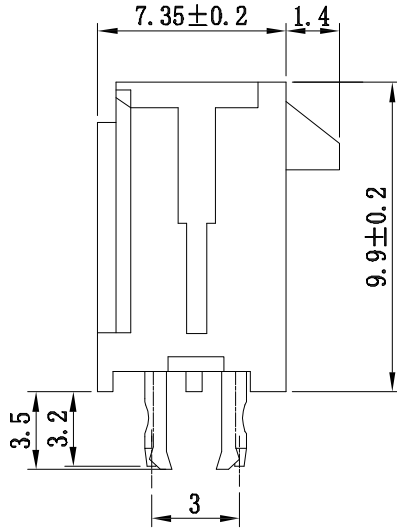
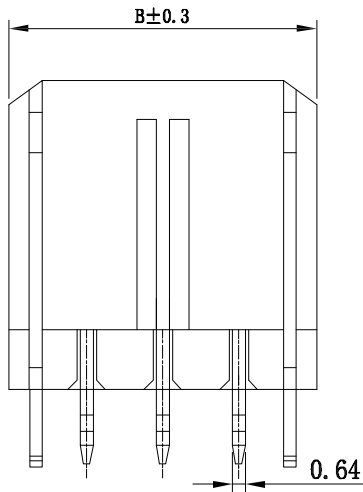
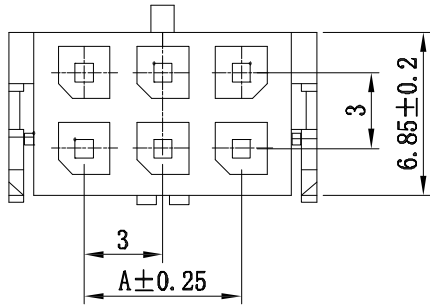
仅供参考

REV.	REVISION RECORD	DATE
A0	新图面发行	2017.06.16



Specifications:

Contact resistance: $\leq 20m\Omega$
 Insulation resistance: $\geq 1000M\Omega$
 Rated voltage: 250V AC DC
 Rated current: 5.0A AC DC
 Withstand Voltage: 1000V AC/minute
 Temperature Range: $-25^{\circ}C \sim +85^{\circ}C$



P. C. B LAYOUT

Poles	DIM A	DIM B
2x1		6.65
2x2	3.00	9.65
2x3	6.00	12.65
2x4	9.00	15.65
2x5	12.00	18.65
2x6	15.00	21.65
2x7	18.00	24.65
2x8	21.00	27.65
2x9	24.00	30.65
2x10	27.00	33.65
2x11	30.00	36.65
2x12	33.00	39.65

3	Press-fit	Brass Tin	2		
2	Contact	Brass Tin	N		
1	Housing	LCP (UL94V-0)	1	Black	
序号	图号	名称	材料	数量	附注

	GENERAL TOLERANCES		SCALE: 1:1	NAME	DATE
	LINEAR	ANGLES	APPROVED		
UNIT: MM	0.00±0.20	X° REF±6°	DESIGNER		
SIZE: A4	0.000±0.10	X° X'±2°	DRAWN	肖坤权	2017.06.16

深圳市思拓展电子有限公司 SHENZHEN SINOTOP ELECTRONICS CO., LTD 公司网址: www.szstuo.cn 公司电话: 0755-23765350 邮箱: 2850175982@qq.com 公司传真: 0755-23765341		PART. NO: ST-WF-300-002AWVC
TITLE: 3.00mm PITCH 180° WAFER DIP TYPE		DWG. NO:
REV: A0	SHEET: 1/1	

1
2
3
4
5
6
7
8

1
2
3
4
5
6
7
8

A B C D E F G H