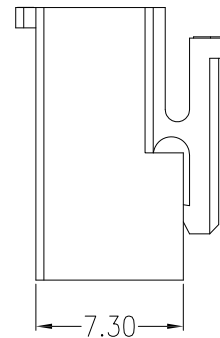
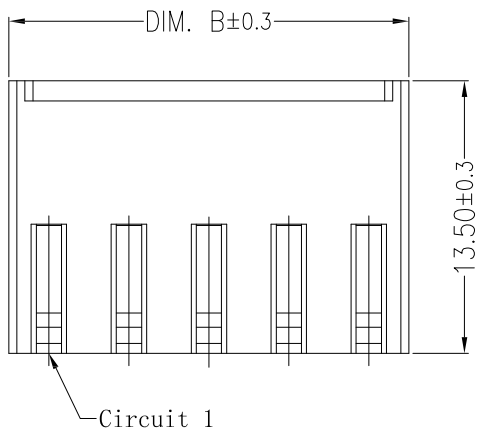
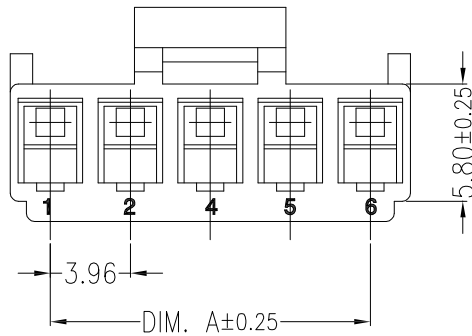
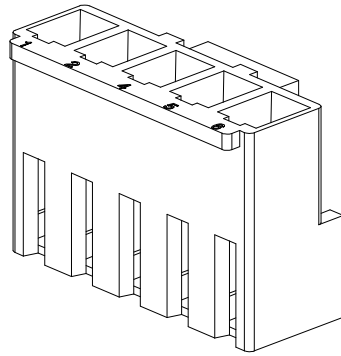


仅供参考

REV.	REVISION RECORD	DATE
A0	新图面发行	2017.06.16

主要技术参数 Main Specifications

线数 (Poles): 02 to 14
 接触电阻 (Contact resistance): $\leq 20m\Omega$
 绝缘电阻 (Insulation resistance): $\geq 1000M\Omega$
 额定电压 (Rated voltage): 250V AC DC
 额定电流 (Rated current): 7.0A AC DC
 耐电压 (Withstand Voltage): 1500V AC/minute
 温度范围 (Temperature Range): $-25^{\circ}C \sim +85^{\circ}C$



Circuits	Dimensions (mm)	
	DIM. A	DIM. B
02	3.96	7.92
03	7.92	11.88
04	11.88	15.84
05	15.84	19.80
06	19.80	23.76
07	23.76	27.72
08	27.72	31.68
09	31.68	35.64
10	35.64	39.60
11	39.60	43.56
12	43.56	47.52
13	47.52	51.48
14	51.48	55.44

A	PEDESTAL	1 PCS	PA66	COLOR:WHITE
ITEM	COMPONENT	Q'TY	MATERIAL	FINISH

	GENERAL TOLERANCES		SCALE: 1:1	NAME	DATE
	LINEAR	ANGLES	APPROVED		
	0.0 ± 0.30	X° REF ± 6°	DESIGNER		
	UNIT: MM	0.00 ± 0.20	X° ± 3°	DRAWN	肖坤权
SIZE: A4	0.000 ± 0.10	X° X' ± 2°			

深圳市思拓展电子有限公司
 SHENZHEN SINOTOP ELECTRONICS CO., LTD
 公司网址: www.szstuo.cn 公司电话: 0755-23765350
 邮箱: 2850175982@qq.com 公司传真: 0755-23765341

TITLE: 3.96mm PITCH HOUSING

PART. NO:	ST-WF-396-002Y	
DWG. NO:		
REV:	A0	SHEET: 1/1

1
2
3
4
5
6
7
8

1
2
3
4
5
6
7
8

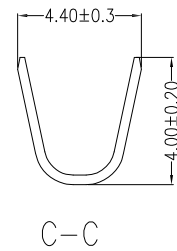
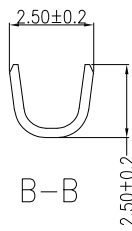
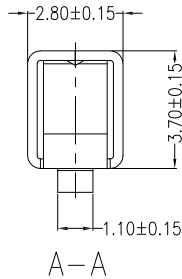
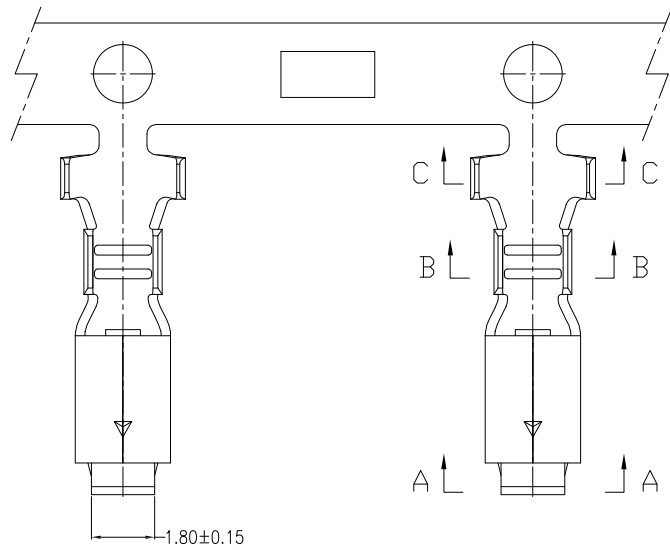
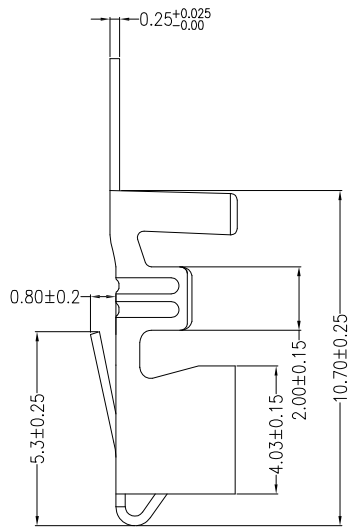
A B C D E F G H

仅供参考

REV.	REVISION RECORD	DATE
A0	新图面发行	2017.06.16

主要技术参数
Main Specifications

额定电流 (Current rating): 7.0A AC, DC
 额定电压 (Voltage rating): 250V AC, DC
 温度范围 (Temperature range): -25°C to +85°C
 接触电阻 (Contact resistance): ≤20mΩ
 绝缘电阻 (Insulation resistance): ≥1000MΩ
 耐电压 (Withstand voltage): 1500V AC/minute



Wire Range	Insulation O. D.	Material	Finish	Qty/Reel
AWG #18~#22	3.00mm (MAX)	Phosphor bronze	Tin-plated	

	GENERAL TOLERANCES		SCALE: 1:1	NAME	DATE	深圳市思拓展电子有限公司 SHENZHEN SINOTOP ELECTRONICS CO., LTD 公司网址: www.szstuo.cn 公司电话: 0755-23765350 邮箱: 2850175982@qq.com 公司传真: 0755-23765341	PART. NO: ST-WF-396-002T	
	LINEAR	ANGLES	APPROVED				DWG. NO:	
UNIT: MM	0.0±0.30	X° REF±6°	DESIGNER			TITLE:	REV: A0	SHEET: 1/1
SIZE: A4	0.000±0.10	X° X'±2°	DRAWN	肖坤权	2017.06.16	3.96mm PITCH TERMINAL		