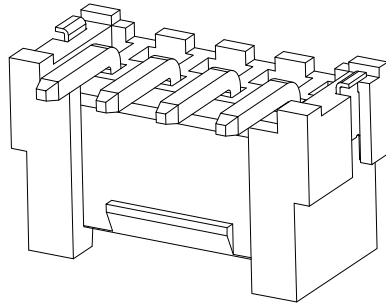


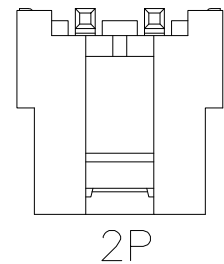
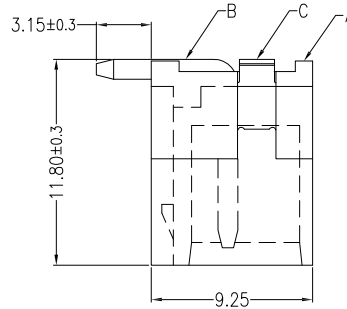
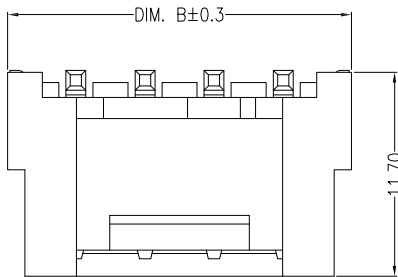
仅供参考

REV.	REVISION RECORD	DATE
A0	新图面发行	2017.06.16

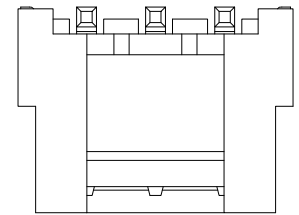
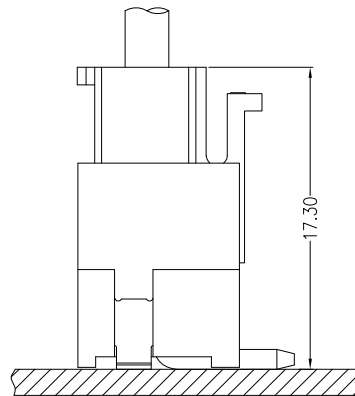
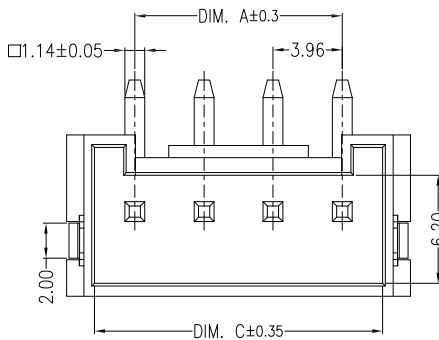


**主要技术参数 Main Specifications**

- 线数 (Poles): 02 to 16
- 接触电阻 (Contact resistance):  $\leq 20m\Omega$
- 绝缘电阻 (Insulation resistance):  $\geq 1000M\Omega$
- 额定电压 (Rated voltage): 250V AC DC
- 额定电流 (Rated current): 7.0A AC DC
- 耐电压 (Withstand Voltage): 1500V AC/minute
- 温度范围 (Temperature Range):  $-25^{\circ}C \sim +105^{\circ}C$

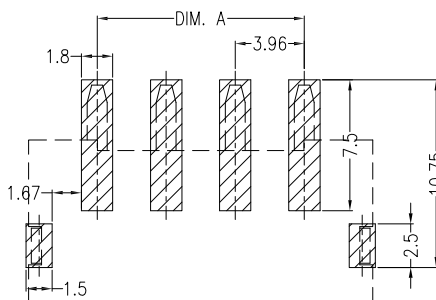


2P



3P

**Assembly Layout**



**Mating PCB detail**

Circuits	Dimensions (mm)		
	DIM. A	DIM. B	DIM. C
02	3.96	11.88	8.60
03	7.92	15.84	12.56
04	11.88	19.80	16.52
05	15.84	23.76	20.48
06	19.80	27.72	24.44
07	23.76	31.68	28.40
08	27.72	35.64	32.36
09	31.68	39.60	36.32
10	35.64	43.56	40.28
11	39.60	47.52	44.24
12	43.56	51.48	48.20
13	47.52	55.44	52.16
14	51.48	59.40	56.12
15	55.44	63.36	60.08
16	59.40	67.32	64.04

ITEM	COMPONENT	Q'TY	MATERIAL	FINISH
C	SOLDER TAB	2 PCS	PhosphorBronze	Sn-plated
B	CONTACT	2~16 PCS	Brass	Sn-plated
A	PEDESTAL	1 PCS	PA9T	UL 94V-0, COLOR:BEIGE

	GENERAL TOLERANCES		SCALE: 1:1	NAME	DATE
	LINEAR	ANGLES	APPROVED		
	0.0 ± 0.30	X° REF ± 6°	DESIGNER		
	UNIT: MM	0.00 ± 0.20	X° ± 3°	DRAWN	肖坤权
SIZE: A4	0.000 ± 0.10	X° X' ± 2°			

**深圳市思拓展电子有限公司**  
 SHENZHEN SINOTOP ELECTRONICS CO., LTD  
 公司网址: www.szstuo.cn 公司电话: 0755-23765350  
 邮箱: 2850175982@qq.com 公司传真: 0755-23765341

TITLE: 3.96mm PITCH 180° WAFER SMT TYPE

PART. NO:	ST-WF-396-002AWV
DWG. NO:	
REV:	A0
SHEET:	1/1