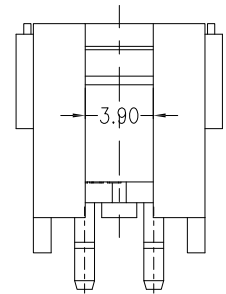
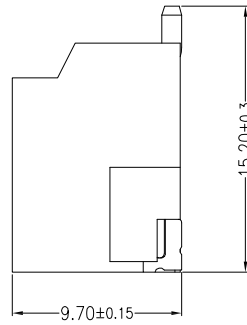
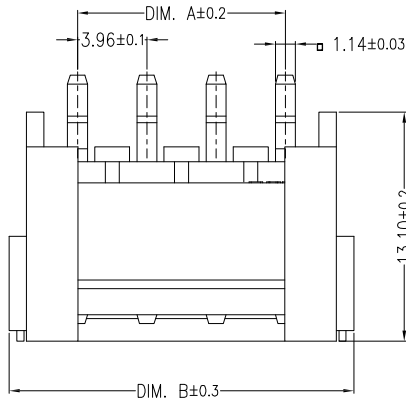
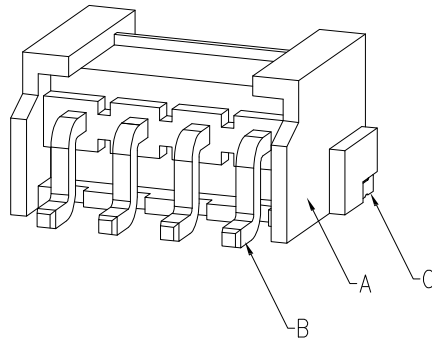


仅供参考

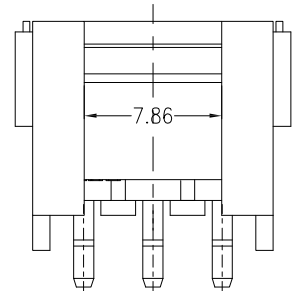
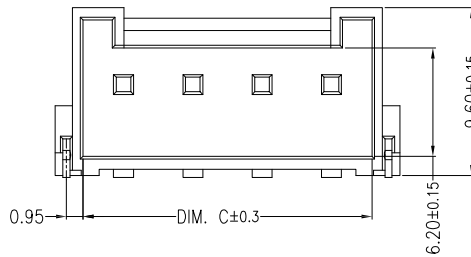
REV.	REVISION RECORD	DATE
A0	新图面发行	2017.06.16

主要技术参数 Main Specifications

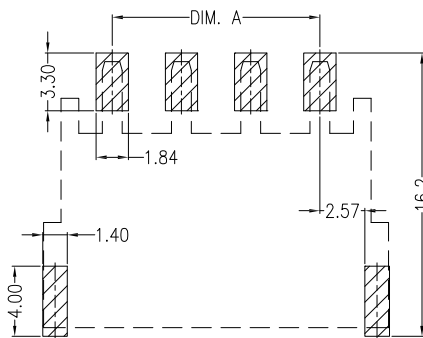
线数 (Poles): 02 to 10
 接触电阻 (Contact resistance): $\leq 20m\Omega$
 绝缘电阻 (Insulation resistance): $\geq 1000M\Omega$
 额定电压 (Rated voltage): 250V AC DC
 额定电流 (Rated current): 7.0A AC DC
 耐电压 (Withstand Voltage): 1500V AC/minute
 温度范围 (Temperature Range): $-25^{\circ}C \sim +105^{\circ}C$



2P



3P



Mating PCB detail

Circuits	Dimensions (mm)		
	DIM. A	DIM. B	DIM. C
02	3.96	11.88	8.60
03	7.92	15.84	12.56
04	11.88	19.80	16.52
05	15.84	23.76	20.48
06	19.80	27.72	24.44
07	23.76	31.68	28.40
08	27.72	35.64	32.36
09	31.68	39.60	36.32
10	35.64	43.56	40.28

C	SOLDER TAB	2PCS	Brass	Sn-plated
B	CONTACT	02~10PCS	Brass	Sn-plated
A	PEDESTAL	1 PCS	PA9T	UL 94V-0, COLOR:BEIGE
ITEM	COMPONENT	Q'TY	MATERIAL	FINISH

	GENERAL TOLERANCES		SCALE:	NAME	DATE
	LINEAR	ANGLES	1:1		
	0.0 ± 0.30	X° REF ± 6°	APPROVED		
			DESIGNER		
UNIT: MM	0.00 ± 0.20	X° ± 3°	DRAWN	肖坤权	2017.06.16
SIZE: A4	0.000 ± 0.10	X' X' ± 2°			

深圳市思拓展电子有限公司
 SHENZHEN SINOTOP ELECTRONICS CO., LTD
 公司网址: www.szstuo.cn 公司电话: 0755-23765350
 邮 箱: 2850175982@qq.com 公司传真: 0755-23765341

TITLE: 3.96mm PITCH 90° WAFER SMT TYPE

PART. NO:	ST-WF-396-002AWR
DWG. NO:	
REV:	A0
SHEET:	1/1