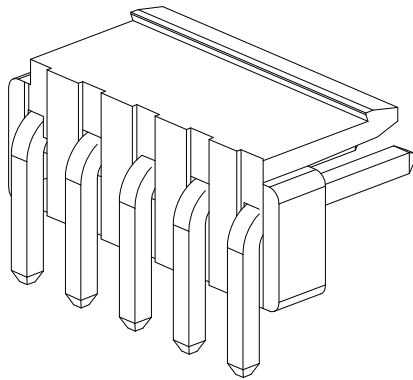


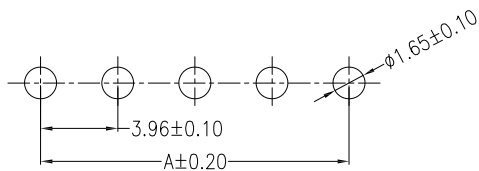
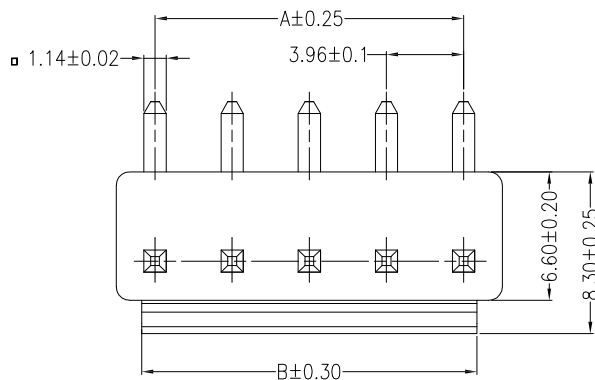
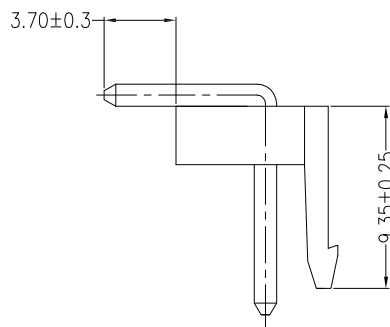
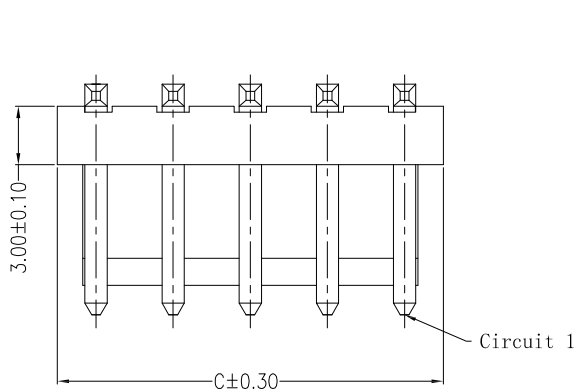
仅供参考

REV.	REVISION RECORD	DATE
A0	新图面发行	2017.06.16



主要技术参数 Main Specifications

- 线数 (Poles): 02 to 14
- 接触电阻 (Contact resistance): $\leq 20m\Omega$
- 绝缘电阻 (Insulation resistance): $\geq 1000M\Omega$
- 额定电压 (Rated voltage): 250V AC DC
- 额定电流 (Rated current): 7.0A AC DC
- 耐电压 (Withstand Voltage): 1500V AC/minute
- 温度范围 (Temperature Range): $-25^{\circ}C \sim +85^{\circ}C$



SUGGESTED PCB LAYOUT
(COMPONENT SIDE)

Circuits	Dimensions (mm)		
	A	B	C
02	3.96	5.00	7.94
03	7.92	8.96	11.90
04	11.88	12.92	15.82
05	15.84	16.88	19.82
06	19.80	20.84	23.78
07	23.76	24.80	27.74
08	27.72	28.76	31.70
09	31.68	32.76	35.66
10	35.64	36.68	39.62
11	39.60	40.64	43.58
12	43.56	44.60	47.54
13	47.52	48.56	51.80
14	51.48	52.52	55.46

ITEM	COMPONENT	Q'TY	MATERIAL	FINISH
C				
B	CONTACT	2~14 PCS	Brass	Sn-plated
A	HOUSING	1 PCS	PA66	COLOR:White

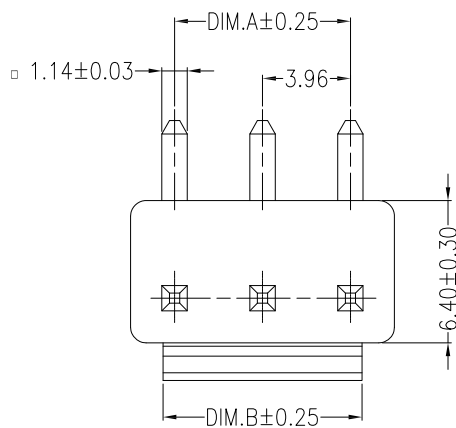
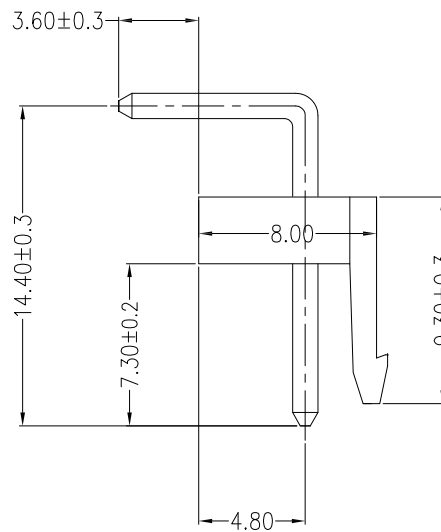
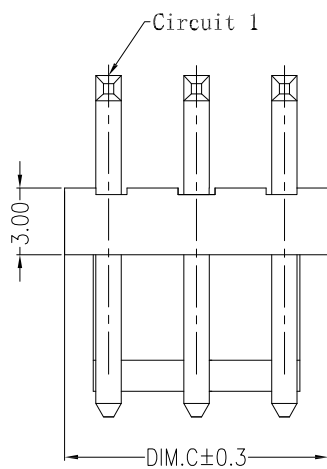
	GENERAL TOLERANCES		SCALE: 1:1	NAME	DATE	深圳市思拓展电子有限公司 SHENZHEN SINOTOP ELECTRONICS CO., LTD 公司网址: www.szstuo.cn 公司电话: 0755-23765350 电子邮箱: 2850175982@qq.com 公司传真: 0755-23765341	PART. NO: ST-WF-396-002AW		
	LINEAR	ANGLES					APPROVED		DWG. NO:
	0.0±0.30	X° REF±6°	DESIGNER		TITLE:			REV: A0	SHEET: 1/1
	UNIT: MM	0.00±0.20	X° ±3°	DRAWN	肖坤权		2017.06.16	3.96mm PITCH 90° WAFER DIP TYPE	
SIZE: A4	0.000±0.10	X° X'±2°							

仅供参考

REV.	REVISION RECORD	DATE
A0	新图面发行	2017.06.16

Main Specifications

Poles: 02 to 14
 Contact resistance: $\leq 20m\Omega$
 Insulation resistance: $\geq 1000M\Omega$
 Rated voltage: 250V AC DC
 Rated current: 7.0A AC DC
 Withstand Voltage: 1500V AC/minute
 Temperature Range: $-25^{\circ}C \sim +85^{\circ}C$
 Housing: PA66 UL94V-0, White
 Contacts: Brass/Sn-plated



Circuits	Dimensions (mm)		
	A	B	C
02	3.96	5.00	7.94
03	7.92	8.96	11.90
04	11.88	12.92	15.82
05	15.84	16.88	19.82
06	19.80	20.84	23.78
07	23.76	24.80	27.74
08	27.72	28.76	31.70
09	31.68	32.76	35.66
10	35.64	36.68	39.62
11	39.60	40.64	43.58
12	43.56	44.60	47.54
13	47.52	48.56	51.80
14	51.48	52.52	55.46

	GENERAL TOLERANCES		SCALE: 1:1	NAME	DATE	深圳市思拓展电子有限公司 SHENZHEN SINOTOP ELECTRONICS CO., LTD 公司网址: www.szstuo.cn 公司电话: 0755-23765350 邮箱: 2850175982@qq.com 公司传真: 0755-23765341	PART. NO: ST-WF-396-002AWG
	LINEAR	ANGLES					
UNIT: MM	0.0 ± 0.30	X° REF ± 6°					
SIZE: A4	0.000 ± 0.10	X° X' ± 2°	DRAWN	肖坤权	2017.06.16	3.96mm PITCH 90° WAFER DIP TYPE	REV: A0 SHEET: 1/1