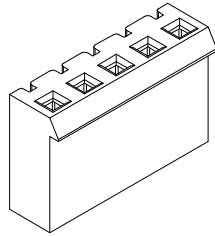


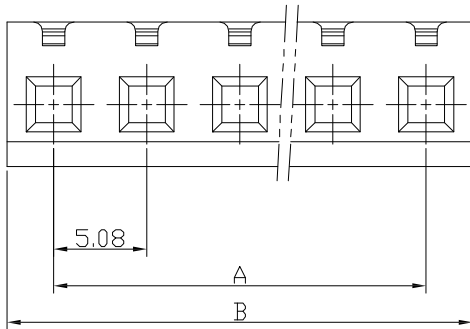
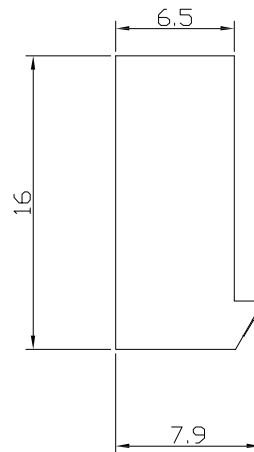
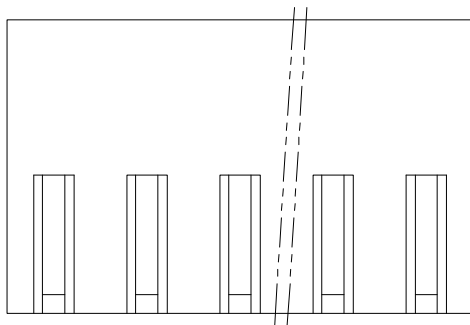
仅供参考

REV.	REVISION RECORD	DATE
A0	新图面发行	2017.06.16



主要技术参数 Main Specifications

线数 (Poles): 02 to 14
 接触电阻 (Contact resistance): $\leq 20\text{m}\Omega$
 绝缘电阻 (Insulation resistance): $\geq 1000\text{M}\Omega$
 额定电压 (Rated voltage): 250V AC DC
 额定电流 (Rated current): 5.0A AC DC
 耐电压 (Withstand Voltage): 1500V AC/minute
 温度范围 (Temperature Range): $-25^{\circ}\text{C} \sim +85^{\circ}\text{C}$



Poles	Dimensions mm	
	A	B
2	5.08	10.16
3	10.16	15.24
4	15.24	20.32
5	20.32	25.40
6	25.40	30.48
7	30.48	35.56
8	35.56	40.64
9	40.64	45.72
10	45.72	50.80
11	50.80	55.88
12	55.88	60.96
13	60.96	66.04
14	66.04	71.12

1	Housing 胶壳	PA66 (UL94V-0/V-2)	1	Transparent 透明白色	
序号	图号	名称	材料	数量	附注
GENERAL TOLERANCES		SCALE: 1:1	NAME	DATE	PART. NO: ST-WF-508-001Y1 DWG. NO: REV: A0 SHEET: 1/1
LINEAR 0.0±0.30		APPROVED			
ANGLES X° REF±6°		DESIGNER			
X° ±3°		DRAWN	肖坤权	2017.06.16	
UNIT: MM	0.00±0.20	TITLE: 5.08mm PITCH HOUSING			
SIZE: A4	0.000±0.10				



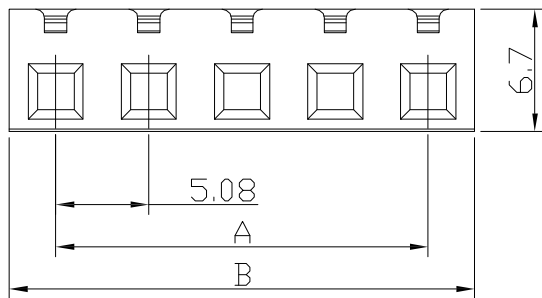
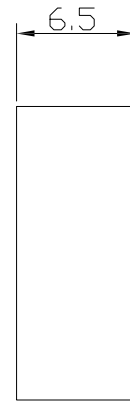
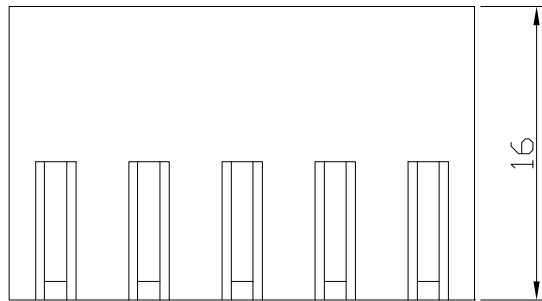
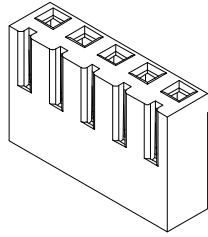
深圳市思拓展电子有限公司
 SHENZHEN SINOTOP ELECTRONICS CO., LTD
 公司网址: www.szstuo.cn 公司电话: 0755-23765350
 邮 箱: 2850175982@qq.com 公司传真: 0755-23765341

仅供参考

REV.	REVISION RECORD	DATE
A0	新图面发行	2017.06.16

主要技术参数 Main Specifications

线数 (Poles): 02 to 14
 接触电阻 (Contact resistance): $\leq 20\text{m}\Omega$
 绝缘电阻 (Insulation resistance): $\geq 1000\text{M}\Omega$
 额定电压 (Rated voltage): 250V AC DC
 额定电流 (Rated current): 5.0A AC DC
 耐电压 (Withstand Voltage): 1500V AC/minute
 温度范围 (Temperature Range): $-25^{\circ}\text{C} \sim +85^{\circ}\text{C}$



Poles	Dimensions mm	
	A	B
2	5.08	10.16
3	10.16	15.24
4	15.24	20.32
5	20.32	25.40
6	25.40	30.48
7	30.48	35.56
8	35.56	40.64
9	40.64	45.72
10	45.72	50.80
11	50.80	55.88
12	55.88	60.96
13	60.96	66.04
14	66.04	71.12

1	Housing 胶壳	PA66 (UL94V-0/V-2)	1	Transparent 透明白色	
序号	图号	名称	材料	数量	附注

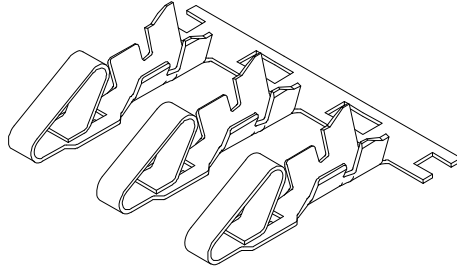
	GENERAL TOLERANCES		SCALE: 1:1	NAME	DATE
	LINEAR	ANGLES	APPROVED		
	0.0 ± 0.30	X° REF ± 6°	DESIGNER		
	UNIT: MM	0.00 ± 0.20	X° ± 3°	DRAWN	肖坤权
SIZE: A4	0.000 ± 0.10	X° X' ± 2°			

深圳市思拓展电子有限公司 SHENZHEN SINOTOP ELECTRONICS CO., LTD 公司网址: www.szstuo.cn 公司电话: 0755-23765350 邮 箱: 2850175982@qq.com 公司传真: 0755-23765341	PART. NO: ST-WF-508-001Y2 DWG. NO: REV: A0 SHEET: 1/1
TITLE: 5.08mm PITCH HOUSING	

REV: A0	SHEET: 1/1
---------	------------

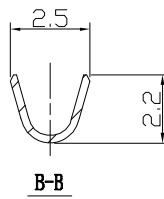
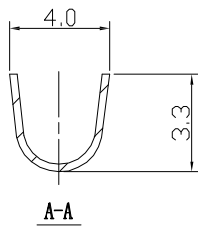
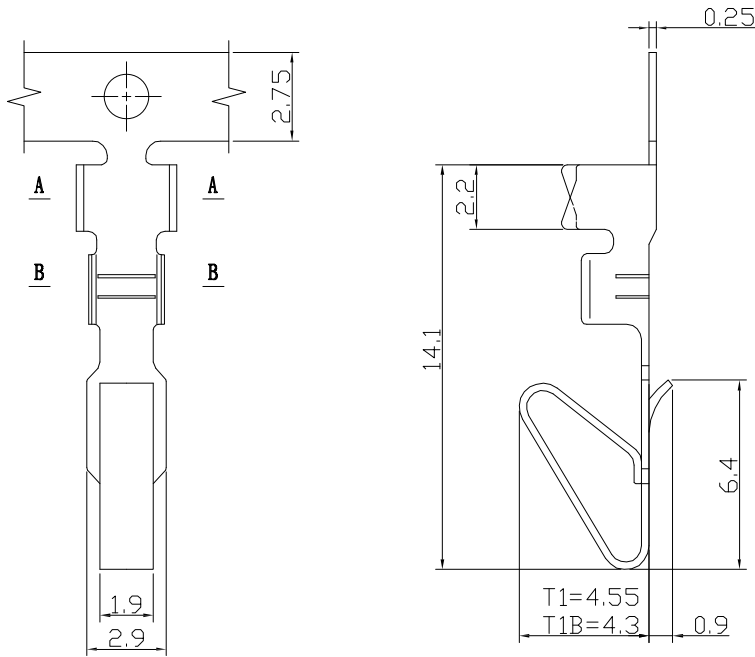
仅供参考

REV.	REVISION RECORD	DATE
A0	新图面发行	2017.06.16



主要技术参数
Main Specifications

线数 (poles): 2 to 16P
 额定电流 (Current rating): 7.0A AC, DC
 额定电压 (Voltage rating): 250V AC, DC
 温度范围 (Temperature range): -25°C to +85°C
 接触电阻 (Contact resistance): $\leq 20m\Omega$
 绝缘电阻 (Insulation resistance): $\geq 1000M\Omega$
 耐电压 (Withstand voltage): 1500V AC/minute
 适用线规 (Applicable wire): AWG #24 to #18
 适用基板厚度 (Applicable PC board thickness): 1.6mm



Wire Range	Insulation O. D.	Material	Finish	Qty/Reel
AWG #18~#24		Phosphor bronze	Tin-plated	5000PCS/Reel (1盘)

	GENERAL TOLERANCES		SCALE: 1:1	NAME	DATE	深圳市思拓展电子有限公司 SHENZHEN SINOTOP ELECTRONICS CO., LTD 公司网址: www.szstuo.cn 公司电话: 0755-23765350 邮箱: 2850175982@qq.com 公司传真: 0755-23765341	PART. NO: ST-WF-508-001T	
	LINEAR	ANGLES	APPROVED				DWG. NO:	
	0.0±0.30	X° REF±6°	DESIGNER				REV: A0 SHEET: 1/1	
	UNIT: MM	0.00±0.20	X° ±3°	DRAWN	肖坤权		2017.06.16	TITLE: 5.08mm PITCH TERMINAL
SIZE: A4	0.000±0.10	X° X'±2°						