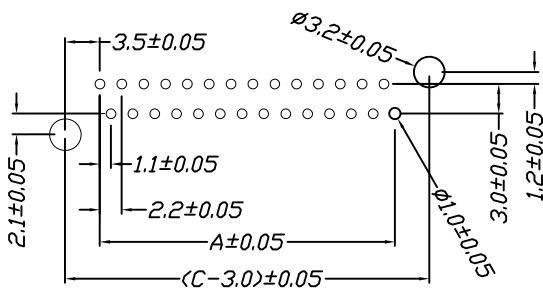
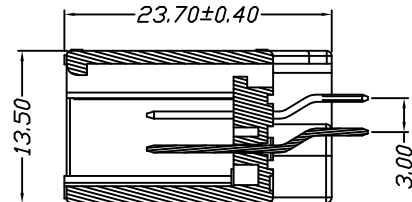
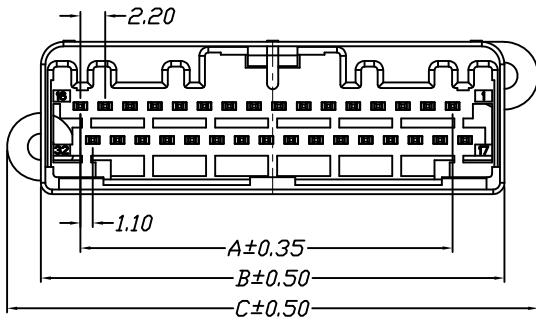
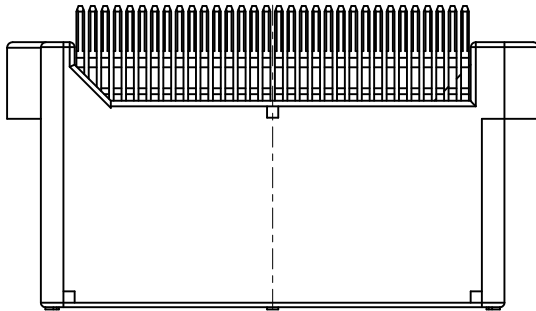
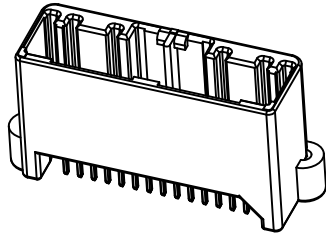


仅供参考

REV.	REVISION RECORD	DATE
A0	新图面发行	2017.06.16

Specifications:  
 Voltage Rating : 250V AC/DC  
 Current Rating : 3A AC,DC  
 Withstand Voltage : 1000V AC/minute  
 Contact Resistance : 30mΩ(MAX.)  
 Insulation Resistance : 1000MΩ(MIN.)  
 Temperature Range : -40°C~+85°C



P.C.B. LAYOUT

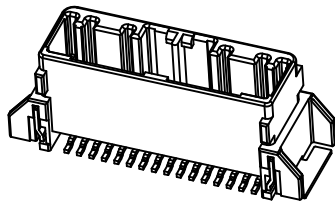
Poles	Dimensions		
	A	B	C
2*6P	11.00	19.10	25.10
2*8P	15.40	23.50	29.50
2*10P	19.80	27.90	33.90
2*12P	24.20	32.30	38.30
2*14P	28.60	36.70	42.70
2*16P	33.00	41.10	47.10
2*18P	37.40	45.50	51.50
2*20P	41.80	49.90	55.90

Material	Color	PIN Material
PBT or Nylon	Grey	Brass/Tin-plated

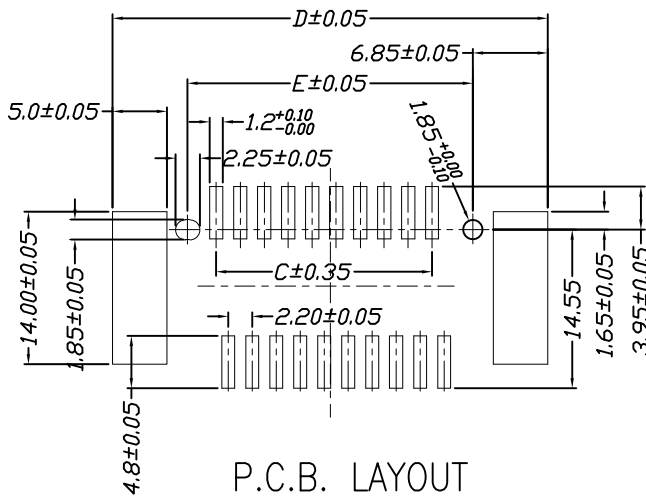
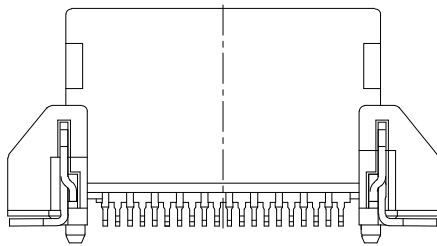
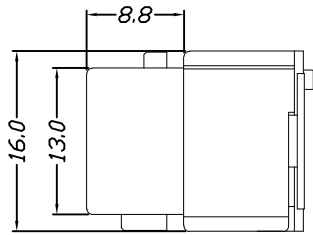
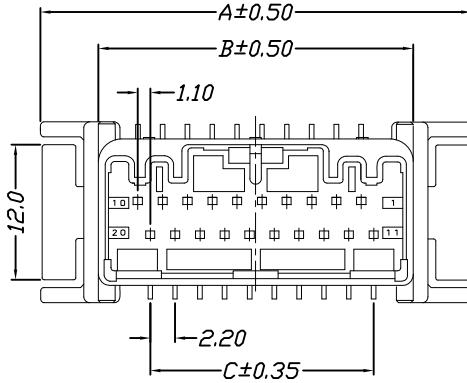
	GENERAL TOLERANCES		SCALE: 1:1	NAME	DATE	深圳市思拓展电子有限公司 SHENZHEN SINOTOP ELECTRONICS CO., LTD 公司网址: <a href="http://www.szstuo.cn">www.szstuo.cn</a> 公司电话: 0755-23765350 邮箱: 2850175982@qq.com 公司传真: 0755-23765341	PART. NO: STP42202W00-2XNPX-A1-XX	
	LINEAR	ANGLES						APPROVED
UNIT: MM	0.0±0.35	X° REF±6°	DESIGNER			TITLE:	DWG. NO:	
SIZE: A4	0.000±0.15	X° X'±2°	DRAWN	肖坤权	2017.06.16	2.20mm Pitch 180° Dula Wafer DIP Type	REV: A0	SHEET: 1/1

仅供参考

REV.	REVISION RECORD	DATE
A0	新图面发行	2017.06.16



Specifications:  
 Voltage Rating : 250V AC/DC  
 Current Rating : 3A AC,DC  
 Withstand Voltage : 1000V AC/minute  
 Contact Resistance : 30mΩ(MAX.)  
 Insulation Resistance : 1000MΩ(MIN.)  
 Temperature Range : -40°C~+85°C



P.C.B. LAYOUT

Poles	Dimensions				
	A	B	C	D	E
2*6P	29.40	19.10	11.00	31.10	17.40
2*8P	33.80	23.50	15.40	35.50	21.80
2*10P	38.20	27.90	19.80	39.90	26.20
2*12P	42.60	32.30	24.20	44.30	30.60
2*14P	47.00	36.70	28.60	48.70	35.00
2*16P	51.40	41.10	33.00	53.10	39.40
2*18P	55.80	45.50	37.40	57.50	43.80
2*20P	60.20	49.90	41.80	61.90	48.20

Material	Color	PIN Material
PBT or Nylon	Grey	Brass/Tin-plated

	GENERAL TOLERANCES		SCALE: 1:1	NAME	DATE
	LINEAR	ANGLES			
0.0±0.35	X° REF±6°		APPROVED		
UNIT: MM	0.00±0.25	X° ±3°	DESIGNER		
SIZE: A4	0.000±0.15	X° X'±2°	DRAWN	肖坤权	2017.06.16

深圳市思拓展电子有限公司  
 SHENZHEN SINOTOP ELECTRONICS CO., LTD  
 公司地址: WWW.SZSITUA.CN 公司电话: 0755-23765350  
 邮编: 2850175982@qq.com 公司传真: 0755-23765341

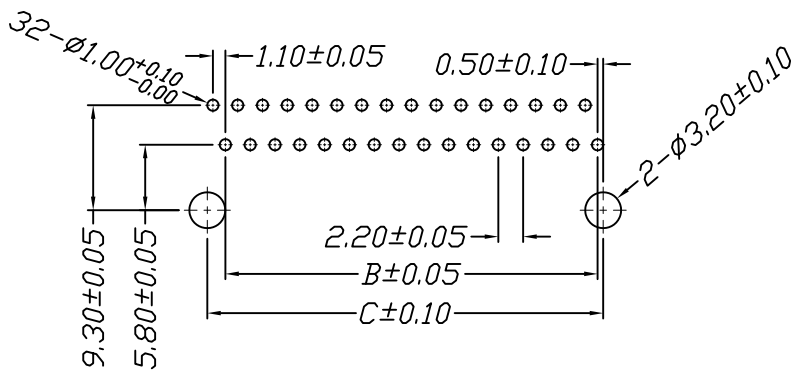
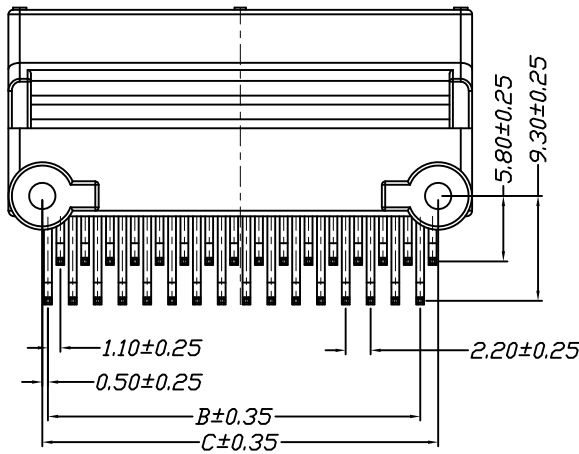
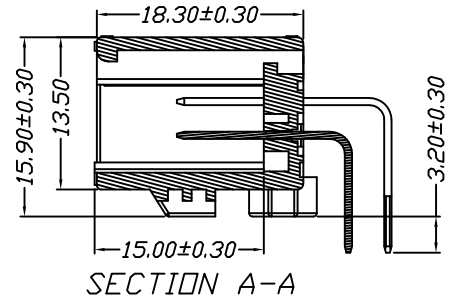
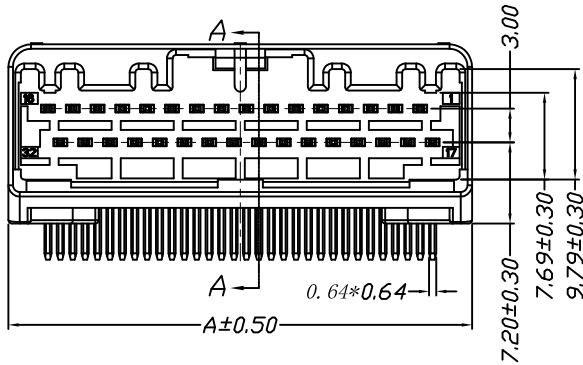
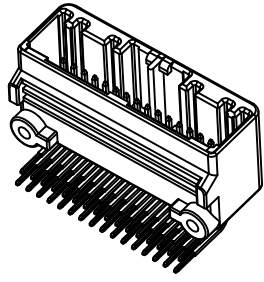
PART. NO:	STP42202W00-2XNPX-A2-XX	
DWG. NO:		
REV:	A0	SHEET: 1/1

TITLE:  
2.20mm Pitch 180° Dula Wafer SMT Type

仅供参考

REV.	REVISION RECORD	DATE
A0	新图面发行	2017.06.16

Specifications:  
 Voltage Rating : 250V AC/DC  
 Current Rating : 3A AC,DC  
 Withstand Voltage : 1000V AC/minute  
 Contact Resistance : 30mΩ(MAX.)  
 Insulation Resistance : 1000MΩ(MIN.)  
 Temperature Range : -40°C~+85°C



P.C.B. LAYOUT

Poles	Dimensions		
	A	B	C
2*6P	19.10	11.00	13.10
2*8P	23.50	15.40	17.50
2*10P	27.90	19.80	21.90
2*12P	32.30	24.20	26.30
2*14P	36.70	28.60	30.70
2*16P	41.10	33.00	35.10
2*18P	45.50	37.40	39.50
2*20P	49.90	41.80	43.90

Material	Color	PIN Material
PBT or Nylon	Grey	Brass/Tin-plated

	GENERAL TOLERANCES		SCALE: 1:1	NAME	DATE
	LINEAR	ANGLES			
0.0±0.35	X° REF±6°	APPROVED			
UNIT: MM	0.00±0.25	X° ±3°	DESIGNER		
SIZE: A4	0.000±0.15	X° X'±2°	DRAWN	肖坤权	2017.06.16

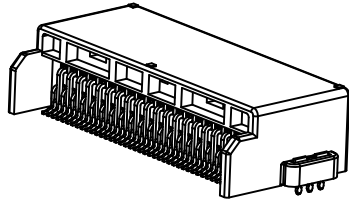
深圳市思拓展电子有限公司  
 SHENZHEN SINOTOP ELECTRONICS CO., LTD  
 公司网址: www.szsituo.cn 公司电话: 0755-23765350  
 邮箱: 2850175982@qq.com 公司传真: 0755-23765341

PART. NO:	STP42202W90-2XNPX-A1-XX	
DWG. NO:		
REV:	A0	SHEET: 1/1

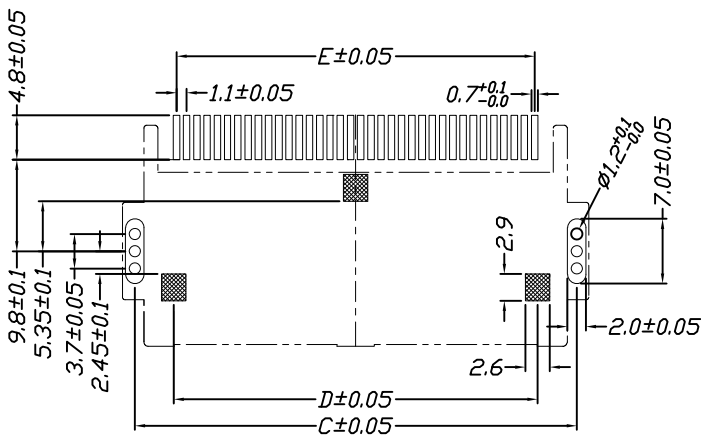
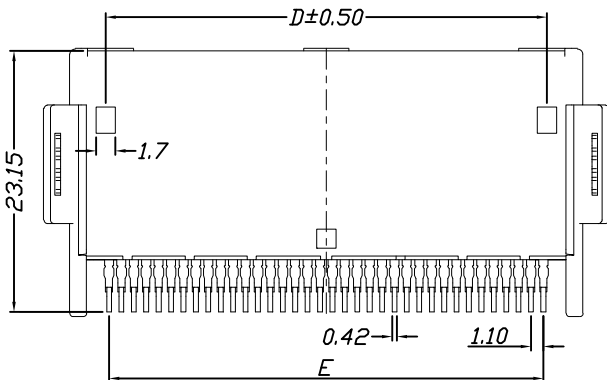
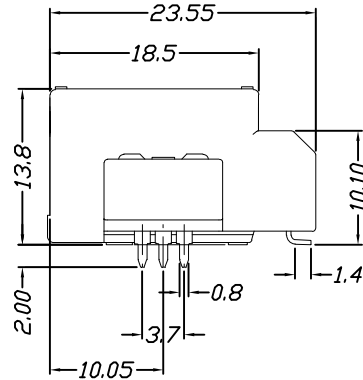
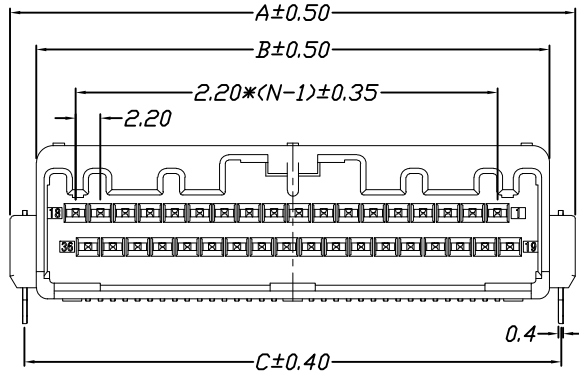
TITLE:  
2.20mm Pitch 90° DuLa Wafer DIP Type

仅供参考

REV.	REVISION RECORD	DATE
A0	新图面发行	2017.06.16



Specifications:  
 Voltage Rating : 250V AC/DC  
 Current Rating : 3A AC,DC  
 Withstand Voltage : 1000V AC/minute  
 Contact Resistance : 30mΩ(MAX.)  
 Insulation Resistance : 1000MΩ(MIN.)  
 Temperature Range : -40°C~+85°C



P.C.B. LAYOUT

Poles	Dimensions				
	A	B	C	D	E
2*6P	23.70	19.10	21.10	12.70	12.10
2*8P	28.10	23.50	25.50	17.10	16.50
2*10P	32.50	27.90	29.90	21.50	20.90
2*12P	36.90	32.30	34.30	25.90	25.30
2*14P	41.30	36.70	38.70	30.30	29.70
2*16P	45.70	41.10	43.10	34.70	34.10
2*18P	50.10	45.50	47.50	39.10	38.50
2*20P	54.50	49.90	51.90	43.50	42.90

Material	Color	PIN Material	Stator Material
PBT or Nylon	Grey	Brass/Tin-plated	Brass/Tin-plated

	GENERAL TOLERANCES		SCALE: 1:1	NAME	DATE
	LINEAR	ANGLES			
	0.0±0.35	X° REF±6°	APPROVED		
UNIT: MM	0.00±0.25	X° ±3°	DESIGNER		
SIZE: A4	0.000±0.15	X° X'±2°	DRAWN	肖坤权	2017.06.16

深圳市思拓展电子有限公司  
 SHENZHEN SINOTOP ELECTRONICS CO., LTD  
 公司网址: [www.szsituo.cn](http://www.szsituo.cn) 公司电话: 0755-23765350  
 邮箱: 2850175982@qq.com 公司传真: 0755-23765341

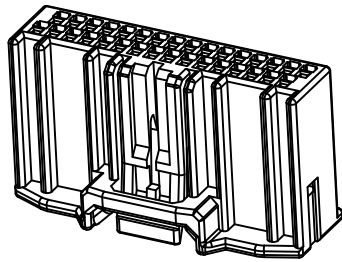
TITLE:  
2.20mm Pitch 90° Dula Wafer SMT Type

PART. NO:	STP42202W90-2XNPX-A2-XX	
DWG. NO:		
REV:	A0	SHEET: 1/1

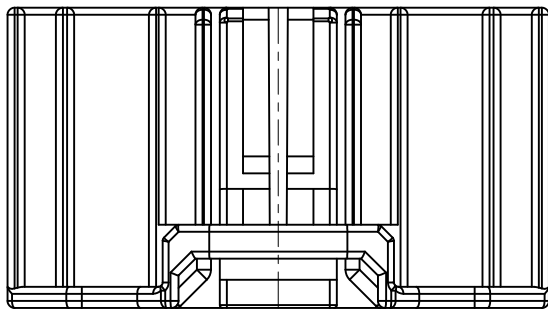
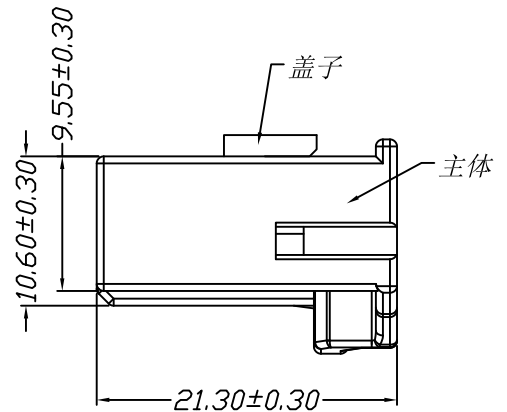
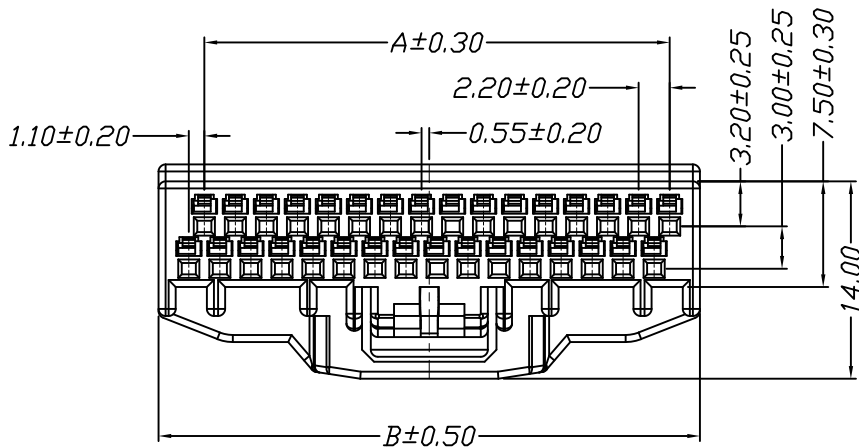
A B C D E F G H

仅供参考

REV.	REVISION RECORD	DATE
A0	新图面发行	2017.06.16



Specifications:  
 Voltage Rating : 250V AC/DC  
 Current Rating : 3A AC,DC  
 Withstand Voltage : 1000V AC/minute  
 Contact Resistance : 30mΩ(MAX.)  
 Insulation Resistance : 1000MΩ(MIN.)  
 Temperature Range : -40°C~+85°C



Poles	Dimensions	
	A	B
2*6P	11.00	16.40
2*8P	15.40	20.80
2*10P	19.80	25.20
2*12P	24.20	29.60
2*14P	28.60	34.00
2*16P	33.00	38.40
2*18P	37.40	42.80
2*20P	41.80	47.20

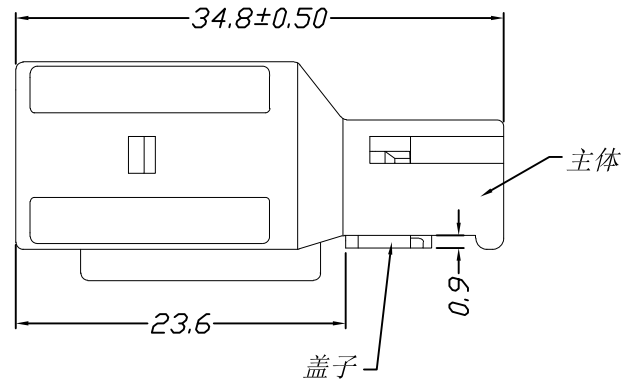
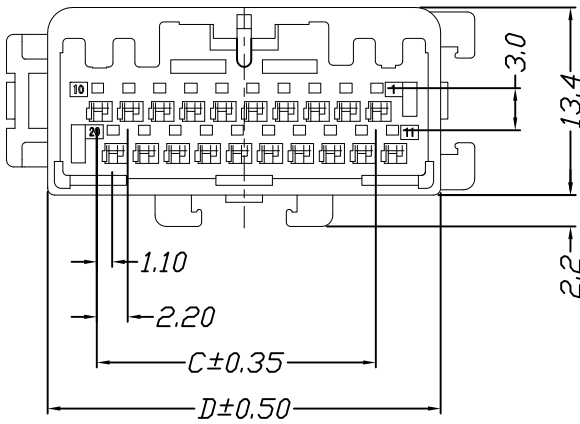
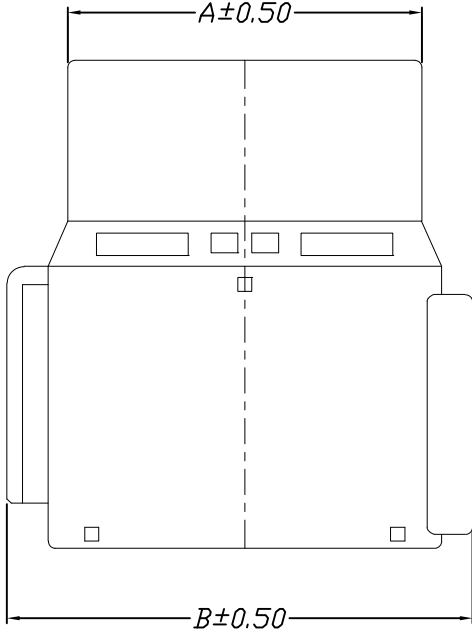
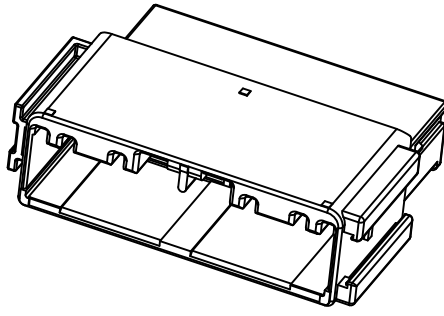
Material	Color
Nylon 66 UL94V-0	Grey

	GENERAL TOLERANCES		SCALE: 1:1	NAME	DATE	深圳市思拓展电子有限公司 SHENZHEN SINOTOP ELECTRONICS CO., LTD 公司网址: www.szstuo.cn 公司电话: 0755-23765350 邮箱: 2850175982@qq.com 公司传真: 0755-23765341	PART. NO: STP42202H00-2XNPX-G2-66
	LINEAR	ANGLES	APPROVED				DWG. NO:
	0.0±0.35	X° REF±6°	DESIGNER				
UNIT: MM	0.00±0.25	X° ±3°	DRAWN	肖坤权	2017.06.16	TITLE: 2.20mm PITCH Housing	REV: A0 SHEET: 1/1
SIZE: A4	0.000±0.15	X° X'±2°					

仅供参考

REV.	REVISION RECORD	DATE
A0	新图面发行	2017.06.16

Specifications:  
 Voltage Rating : 250V AC/DC  
 Current Rating : 3A AC,DC  
 Withstand Voltage : 1000V AC/minute  
 Contact Resistance : 30mΩ(MAX.)  
 Insulation Resistance : 1000MΩ(MIN.)  
 Temperature Range : -40°C~+85°C



Part No	Dimensions			
	A	B	C	D
2*6P	16.30	24.20	11.00	19.10
2*8P	20.70	28.60	15.40	23.50
2*10P	25.10	33.00	19.80	27.90
2*12P	29.50	37.40	24.20	32.30
2*14P	33.90	41.80	28.60	36.70
2*16P	38.30	46.20	33.00	41.10
2*18P	42.70	50.60	37.40	45.50
2*20P	47.10	55.00	41.80	49.90

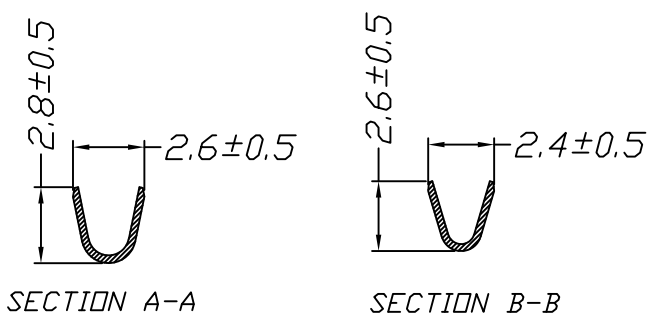
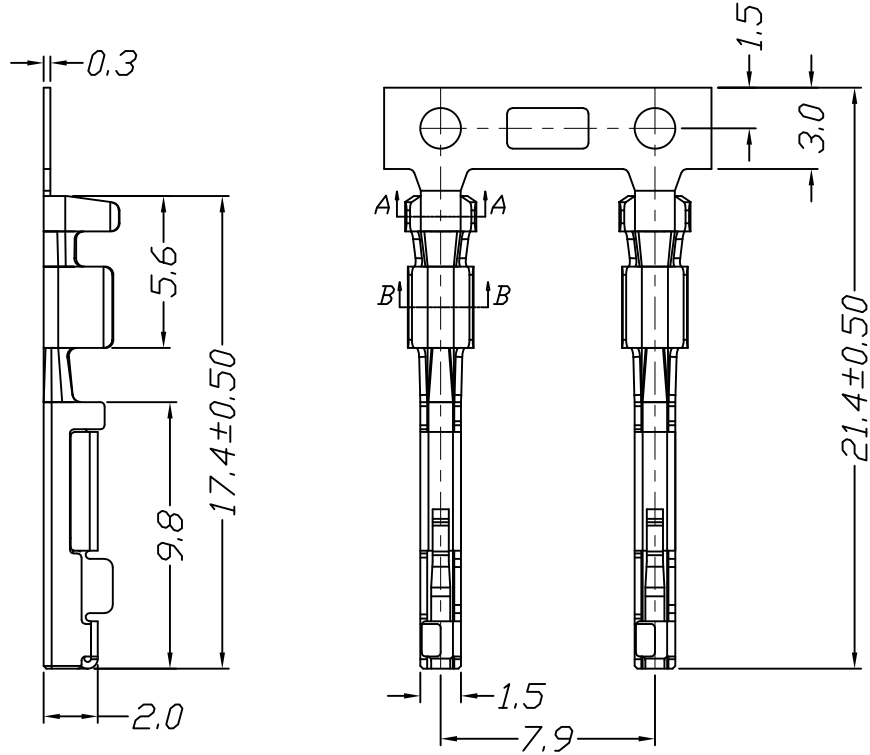
Material	Color
Nylon 66 UL94V-0	Grey

	GENERAL TOLERANCES		SCALE: 1:1	NAME	DATE	深圳市思拓展电子有限公司 SHENZHEN SINOTOP ELECTRONICS CO., LTD 公司网址: www.szstuo.cn 公司电话: 0755-23765350 邮箱: 2850175982@qq.com 公司传真: 0755-23765341	PART. NO: STP32202H00-2XNPX-G2-66
	LINEAR	ANGLES					
UNIT: MM	0.00±0.25	X° ±3°	DESIGNER			TITLE:	DWG. NO:
SIZE: A4	0.000±0.15	X° X' ±2°	DRAWN	肖坤权	2017.06.16	2. 20mm PITCH Housing	REV: A0 SHEET: 1/1

仅供参考

REV.	REVISION RECORD	DATE
A0	新图面发行	2017. 06. 16

Specifications:  
 Voltage Rating : 250V AC/DC  
 Current Rating : 3A AC,DC  
 Withstand Voltage : 1000V AC/minute  
 Contact Resistance : 30mΩ(MAX.)  
 Insulation Resistance : 1000MΩ(MIN.)  
 Temperature Range : -40°C~+85°C



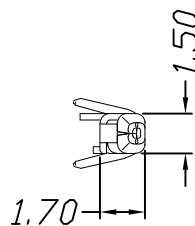
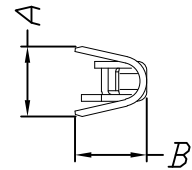
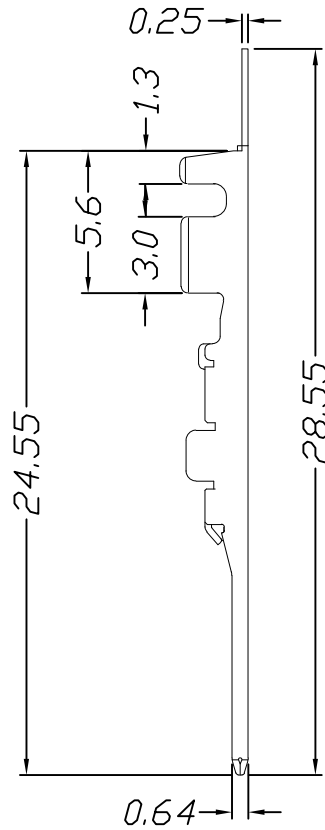
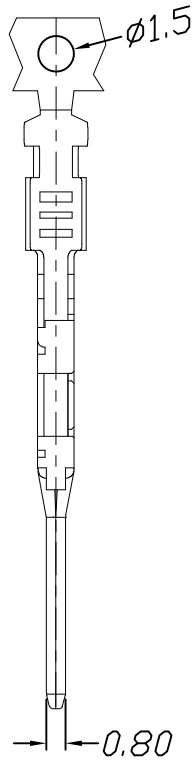
Wire Range	Insulation O. D.	Material	Finish	Qty/Reel
AWG #22~#28	1.00mm(max)	Phosphor bronze	Au or Sn	

	GENERAL TOLERANCES		SCALE: 1:1	NAME	DATE	深圳市思拓展电子有限公司 SHENZHEN SINOTOP ELECTRONICS CO., LTD 公司地址: www.szstuo.cn 公司电话: 0755-23765350 邮箱: 2850175982@qq.com 公司传真: 0755-23765341	PART. NO: STP42202TOP-XX
	LINEAR	ANGLES	APPROVED				DWG. NO:
UNIT: MM	0.0±0.35	X° REF±6°	DESIGNER			TITLE: 2. 20mm PITCH Crimp Terminal	REV: A0 SHEET: 1/1
SIZE: A4	0.000±0.15	X° X'±2°	DRAWN	肖坤权	2017. 06. 16		

仅供参考

REV.	REVISION RECORD	DATE
A0	新图面发行	2017.06.16

Specifications:  
 Voltage Rating : 250V AC/DC  
 Current Rating : 3A AC,DC  
 Withstand Voltage : 1000V AC/minute  
 Contact Resistance : 30mΩ(MAX.)  
 Insulation Resistance : 1000MΩ(MIN.)  
 Temperature Range : -40°C~+85°C



Part No.	Dimensions	
	A	B
32202TOP-**-01	2.6	2.6
32202TOP-**-02	2.65	2.7
32202TOP-**-03	2.26	1.8

Wire Range	Insulation O. D.	Material	Finish	Qty/Reel
AWG #22~#28	1.00mm(max)	Phosphor bronze	Au or Sn	

	GENERAL TOLERANCES		SCALE: 1:1	NAME	DATE	深圳市思拓展电子有限公司 SHENZHEN SINOTOP ELECTRONICS CO., LTD 公司网址: www.szstuo.cn 公司电话: 0755-23765350 邮 箱: 2850175982@qq.com 公司传真: 0755-23765341	PART. NO: STP32202TOP-XX-XX	
	LINEAR	ANGLES	APPROVED				DWG. NO:	
	0.0±0.35	X° REF±6°	DESIGNER				REV: A0	SHEET: 1/1
	UNIT: MM	0.00±0.25	X° ±3°	DRAWN	肖坤权		2017.06.16	
SIZE: A4	0.000±0.15	X° X'±2°	TITLE: 2. 20mm PITCH Crimp Terminal					