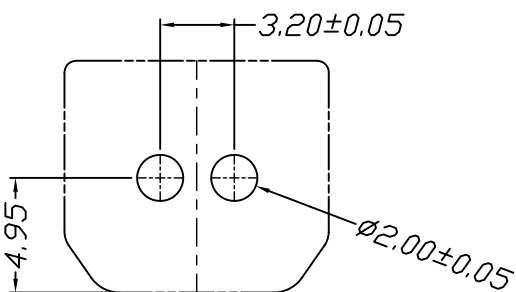
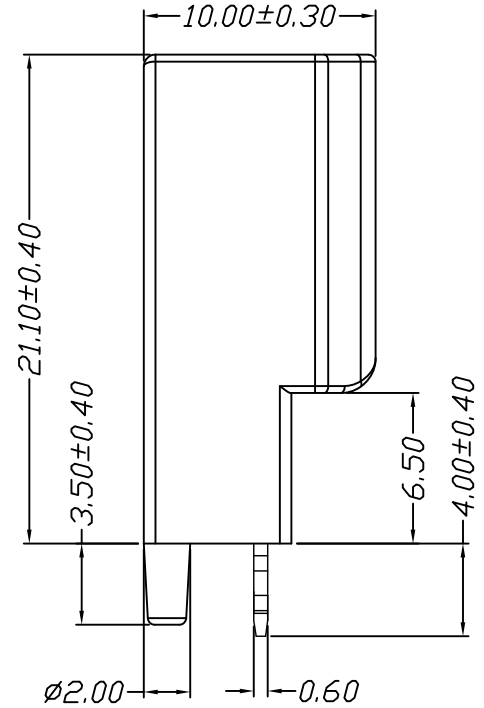
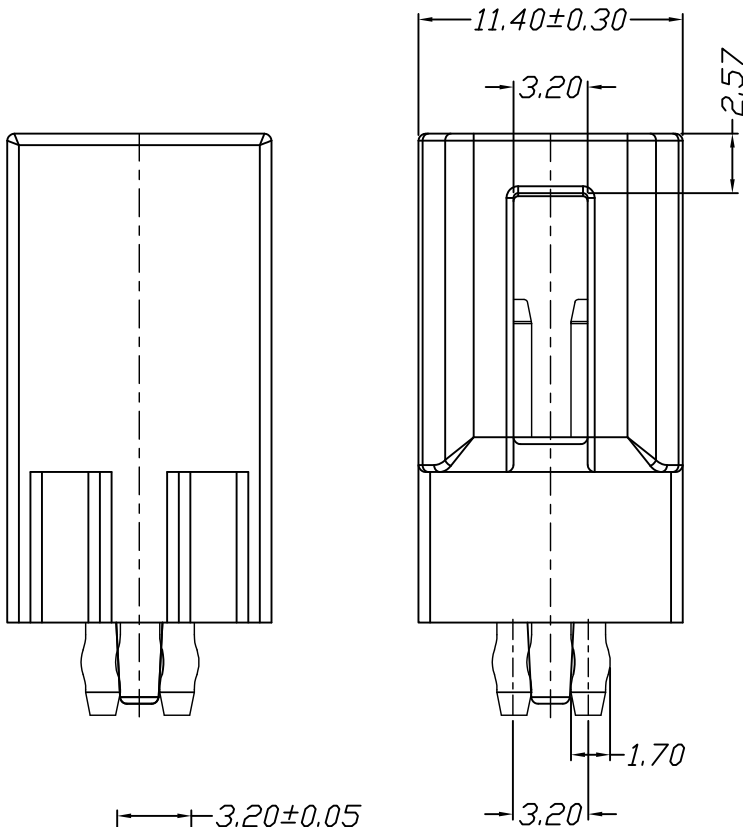
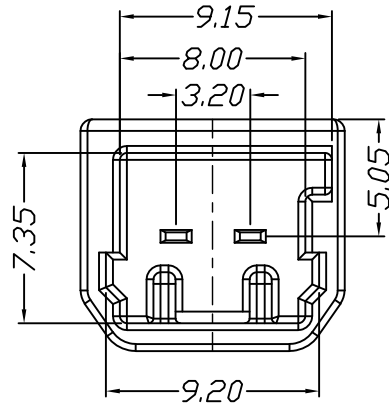
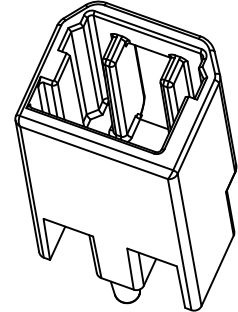


仅供参考

REV.	REVISION RECORD	DATE
A0	新图面发行	2017.06.16

Specifications:
 Voltage Rating : 250V AC/DC
 Current Rating : 9.5A AC,DC
 Withstand Voltage : 1500V AC/minute
 Contact Resistance : 40mΩ(MAX.)
 Insulation Resistance : 1000MΩ(MIN.)
 Temperature Range : -40°C~+85°C



P.C.B. LAYOUT

Material	Color	PIN Material
PA6T	Black	Brass/Tin-plated

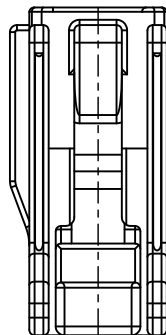
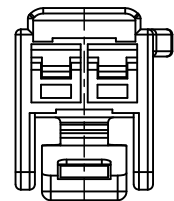
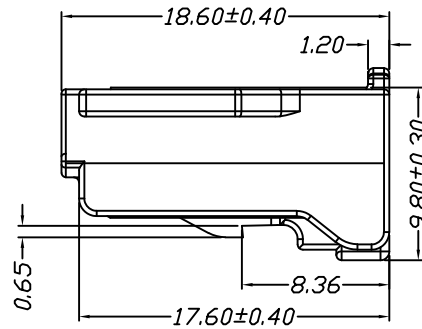
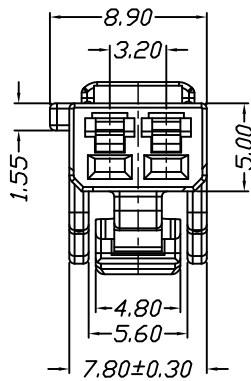
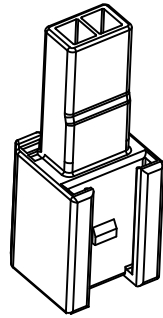
	GENERAL TOLERANCES		SCALE: 1:1	NAME	DATE	深圳市思拓展电子有限公司 SHENZHEN SINOTOP ELECTRONICS CO., LTD 公司网址: www.szstuo.cn 公司电话: 0755-23765350 邮箱: 2850175982@qq.com 公司传真: 0755-23765341	PART. NO: STP43201W00-2P-A1-01	
	LINEAR	ANGLES	APPROVED				DWG. NO:	
UNIT: MM	0.0±0.35	X° REF±6°	DESIGNER			TITLE:	REV: A0 SHEET: 1/1	
SIZE: A4	0.00±0.25	X° ±3°	DRAWN	肖坤权	2017.06.16	3.20mm Pitch 180° Single Wafer DIP Type		
	0.00±0.15	X° X'±2°						

仅供参考

REV.	REVISION RECORD	DATE
A0	新图面发行	2017.06.16

Specifications:

Voltage Rating : 250V AC/DC
 Current Rating : 9.5A AC,DC
 Withstand Voltage : 1500V AC/minute
 Contact Resistance : 40mΩ(MAX.)
 Insulation Resistance : 1000MΩ(MIN.)
 Temperature Range : -40°C~+85°C



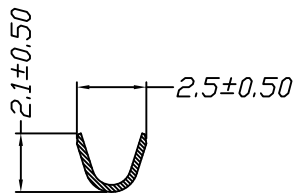
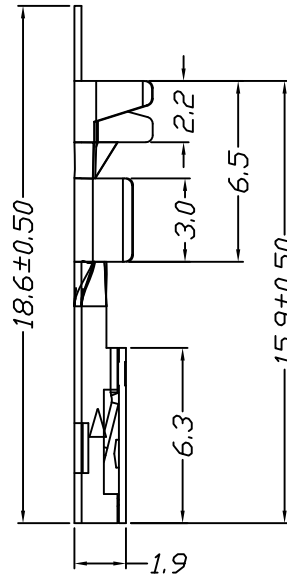
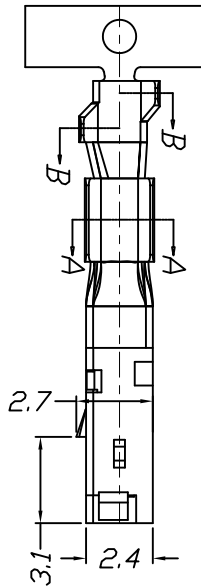
Material	Color
PBT UL94V-0	BLACK

	GENERAL TOLERANCES		SCALE: 1:1	NAME	DATE	深圳市思拓展电子有限公司 SHENZHEN SINOTOP ELECTRONICS CO., LTD 公司网址: www.szstuo.cn 公司电话: 0755-23765350 邮箱: 2850175982@qq.com 公司传真: 0755-23765341	PART. NO: STP43201H00-2P-PT	
	LINEAR	ANGLES					APPROVED	DWG. NO:
UNIT: MM	0.0±0.35	X° REF±6°	DESIGNER	TITLE: 3.20mm PITCH Housing		REV: A0	SHEET: 1/1	
SIZE: A4	0.000±0.15	X° X'±2°	DRAWN	肖坤权	2017.06.16			

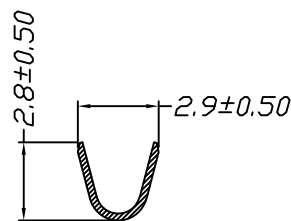
仅供参考

REV.	REVISION RECORD	DATE
A0	新图面发行	2017.06.16

Specifications:
 Voltage Rating : 250V AC/DC
 Current Rating : 9.5A AC,DC
 Withstand Voltage : 1500V AC/minute
 Contact Resistance : 40mΩ(MAX.)
 Insulation Resistance : 1000MΩ(MIN.)
 Temperature Range : -40°C~+85°C



SECTION A-A



SECTION B-B

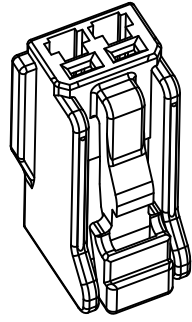
Wire Range	Insulation O. D.	Material	Finish	Qty/Reel
AWG #20~#24	1.00mm Max	Brass	Au or Sn	

	GENERAL TOLERANCES		SCALE: 1:1	NAME	DATE	深圳市思拓展电子有限公司 SHENZHEN SINOTOP ELECTRONICS CO., LTD 公司网址: www.szstuo.cn 公司电话: 0755-23765350 邮 箱: 2850175982@qq.com 公司传真: 0755-23765341	PART. NO: STP43201T0P-XX
	LINEAR	ANGLES	APPROVED				DWG. NO:
UNIT: MM	0.0±0.35	X° REF±6°	DESIGNER			TITLE:	REV: A0
SIZE: A4	0.00±0.15	X° X'±2°	DRAWN	肖坤权	2017.06.16	3.20mm PITCH Crimp Terminal	SHEET: 1/1

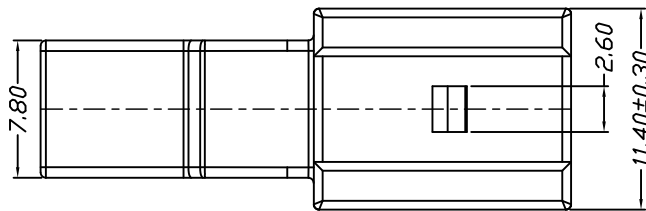
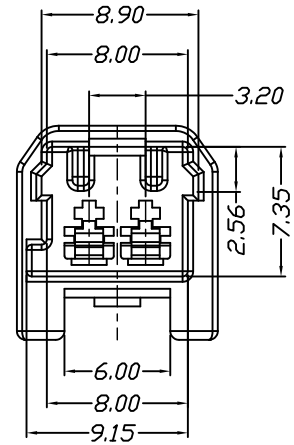
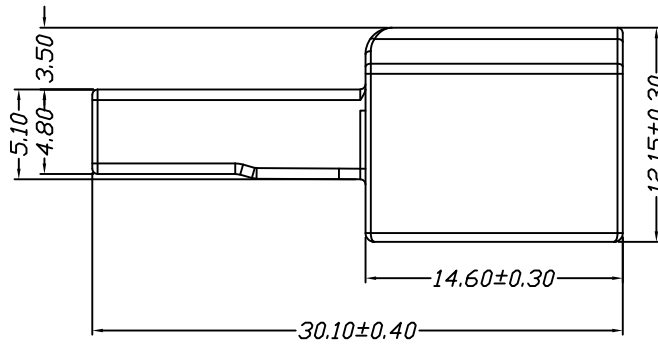
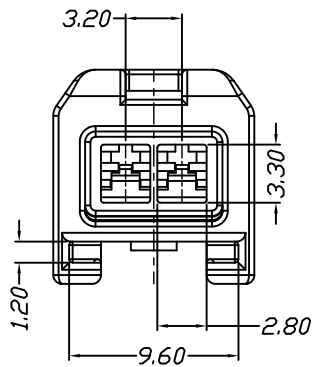
A B C D E F G H

仅供参考

REV.	REVISION RECORD	DATE
A0	新图面发行	2017.06.16



Specifications:
 Voltage Rating : 250V AC/DC
 Current Rating : 9.5A AC,DC
 Withstand Voltage : 1500V AC/minute
 Contact Resistance : 40mΩ(MAX.)
 Insulation Resistance : 1000MΩ(MIN.)
 Temperature Range : -40°C~+85°C



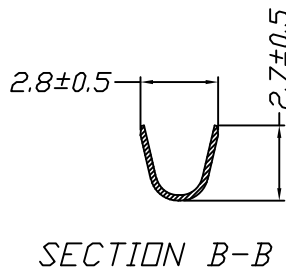
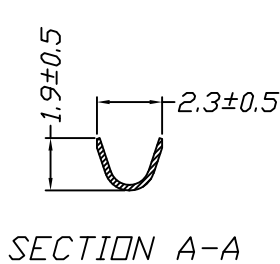
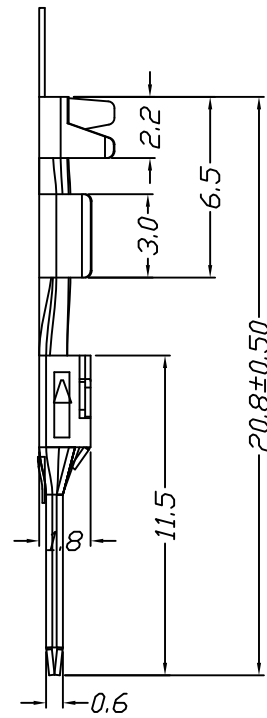
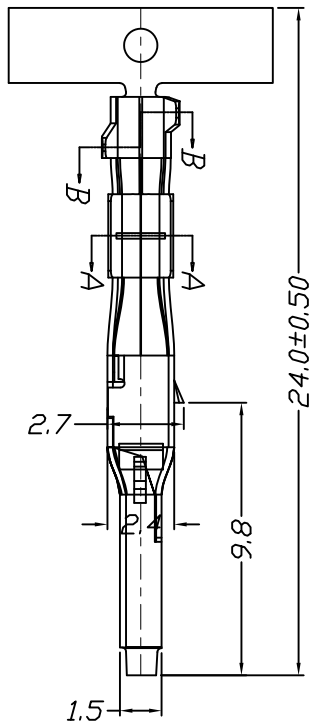
Material	Color
PBT UL94V-0	BLACK

	GENERAL TOLERANCES		SCALE: 1:1	NAME	DATE	深圳市思拓展电子有限公司 SHENZHEN SINOTOP ELECTRONICS CO., LTD 公司网址: www.szstuo.cn 公司电话: 0755-23765350 邮箱: 2850175982@qq.com 公司传真: 0755-23765341	PART. NO: STP33201H00-2P-PT	
	LINEAR	ANGLES					APPROVED	DWG. NO:
UNIT: MM	0.0±0.35	X° REF±6°	DESIGNER	TITLE: 3.20mm PITCH Housing		REV: A0	SHEET: 1/1	
SIZE: A4	0.000±0.15	X° X'±2°	DRAWN	肖坤权	2017.06.16			

仅供参考

REV.	REVISION RECORD	DATE
A0	新图面发行	2017. 06. 16

Specifications:
 Voltage Rating : 250V AC/DC
 Current Rating : 9.5A AC,DC
 Withstand Voltage : 1500V AC/minute
 Contact Resistance : 40mΩ(MAX.)
 Insulation Resistance : 1000MΩ(MIN.)
 Temperature Range : -40°C~+85°C



Wire Range	Insulation O. D.	Material	Finish	Qty/Reel
AWG #20~#24	1.00mm Max	Brass	Au or Sn	

	GENERAL TOLERANCES		SCALE: 1:1	NAME	DATE	深圳市思拓展电子有限公司 SHENZHEN SINOTOP ELECTRONICS CO., LTD 公司网址: www.szstuo.cn 公司电话: 0755-23765350 邮箱: 2850175982@qq.com 公司传真: 0755-23765341	PART. NO: STP33201T0P-XX
	LINEAR	ANGLES	APPROVED				DWG. NO:
UNIT: MM	0.00±0.25	X° REF±6°	DESIGNER			TITLE: 3. 20mm PITCH Crimp Terminal	REV: A0 SHEET: 1/1
SIZE: A4	0.000±0.15	X° X'±2°	DRAWN	肖坤权	2017. 06. 16		