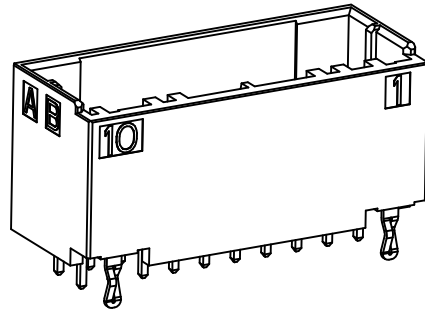
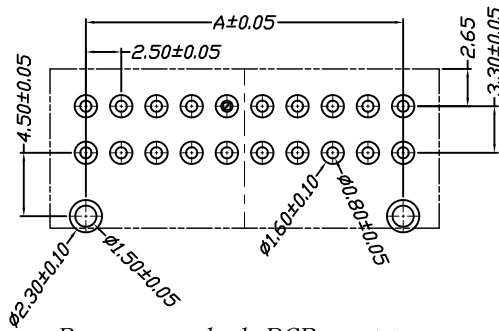
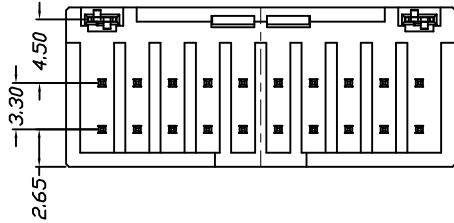
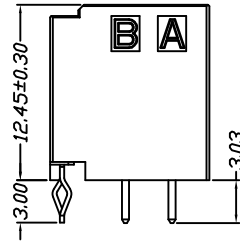
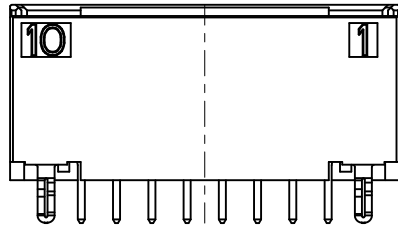
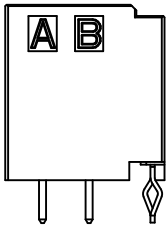
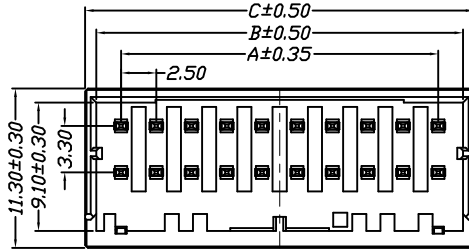


仅供参考

REV.	REVISION RECORD	DATE
A0	新图面发行	2017.06.16



Specifications:  
 Voltage Rating : 250V AC/DC  
 Current Rating : 5A AC,DC  
 Withstand Voltage : 1500V AC/minute  
 Contact Resistance : 40mΩ(MAX.)  
 Insulation Resistance : 100MΩ(MIN.)  
 Temperature Range : -55°C~+105°C



Recommended PCB pattern

Poles	Dimensions		
	A	B	C
2*2P	2.50	6.00	7.60
2*3P	5.00	8.50	10.10
2*4P	7.50	11.00	12.60
2*5P	10.00	13.50	15.10
2*6P	12.50	16.00	17.60
2*8P	17.50	21.00	22.60
2*10P	22.50	26.00	27.60

Material	Color	PIN Material	Stator Material
PBT	Black	Bronze/Gold&Tin-plated	Brass/Tin-plated

	GENERAL TOLERANCES		SCALE:	NAME	DATE
	LINEAR	ANGLES	1:1		
	0.0±0.35	X° REF±6°	APPROVED		
UNIT: MM	0.00±0.25	X° ±3°	DESIGNER		
SIZE: A4	0.000±0.15	X° X'±2°	DRAWN	肖坤权	2017.06.16

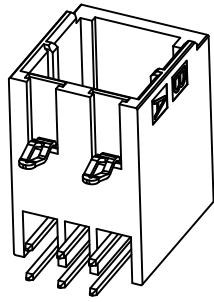
深圳市思拓展电子有限公司  
 SHENZHEN SINOTOP ELECTRONICS CO., LTD  
 公司网址: [www.szsituo.cn](http://www.szsituo.cn) 公司电话: 0755-23765350  
 邮 箱: 2850175982@qq.com 公司传真: 0755-23765341

TITLE: 2.50mm Pitch 180° Dula Wafer DIP Type

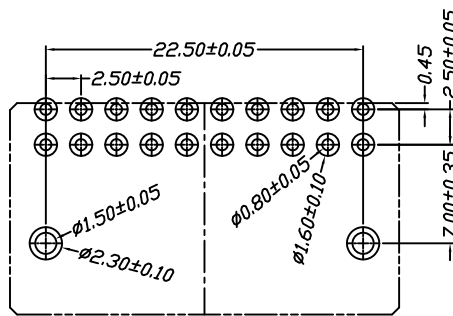
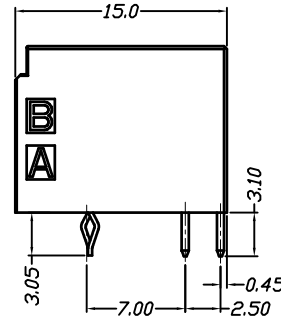
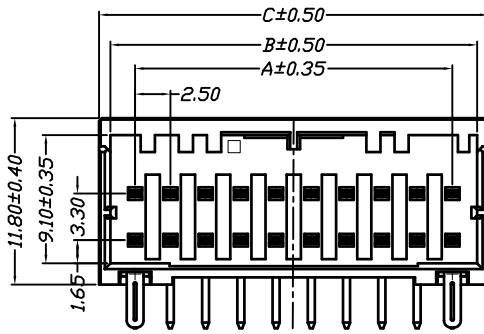
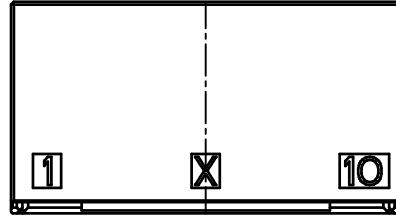
PART. NO:	STP42501W00-2XNPA-A1-XX	
DWG. NO:		
REV:	A0	SHEET: 1/1

仅供参考

REV.	REVISION RECORD	DATE
A0	新图面发行	2017.06.16



Specifications:  
 Voltage Rating : 250V AC/DC  
 Current Rating : 5A AC,DC  
 Withstand Voltage : 1500V AC/minute  
 Contact Resistance : 40mΩ(MAX.)  
 Insulation Resistance : 100MΩ(MIN.)  
 Temperature Range : -55°C~+105°C



Recommended PCB pattern

Poles	Dimensions		
	A	B	C
2*2P	2.50	6.00	7.60
2*3P	5.00	8.50	10.10
2*4P	7.50	11.00	12.60
2*5P	10.00	13.50	15.10
2*6P	12.50	16.00	17.60
2*8P	17.50	21.00	22.60
2*10P	22.50	26.00	27.60

Material	Color	PIN Material	Stator Material
PBT	Black	Bronze/Gold&Tin-plated	Brass/Tin-plated

	GENERAL TOLERANCES		SCALE: 1:1	NAME	DATE
	LINEAR	ANGLES			
	0.0±0.35	X° REF±6°	APPROVED		
UNIT: MM	0.00±0.25	X° ±3°	DESIGNER		
SIZE: A4	0.000±0.15	X° X'±2°	DRAWN	肖坤权	2017.06.16

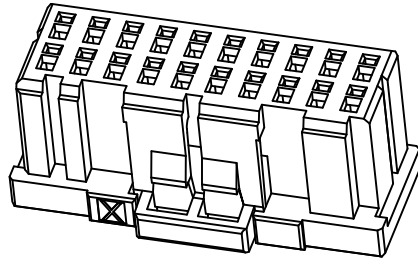
深圳市思拓展电子有限公司  
 SHENZHEN SINOTOP ELECTRONICS CO., LTD  
 公司网址: www.szsituo.cn 公司电话: 0755-23765350  
 邮 箱: 2850175982@qq.com 公司传真: 0755-23765341

TITLE:  
2.50mm Pitch 90° DuLa Wafer DIP Type

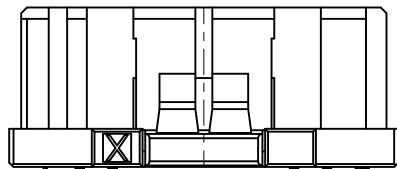
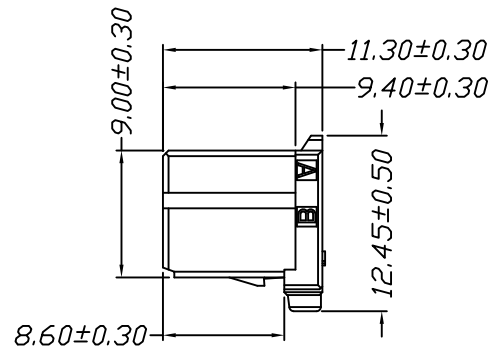
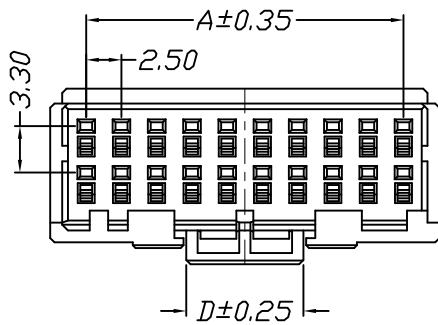
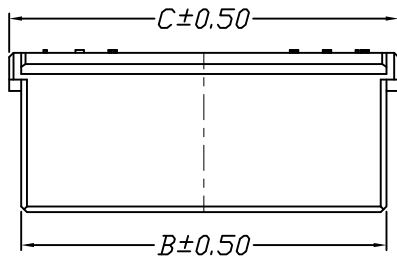
PART. NO:	STP42501W90-2XNPA-A1-XX	
DWG. NO:		
REV:	A0	SHEET: 1/1

仅供参考

REV.	REVISION RECORD	DATE
A0	新图面发行	2017.06.16



Specifications:  
 Voltage Rating : 250V AC/DC  
 Current Rating : 5A AC,DC  
 Withstand Voltage : 1500V AC/minute  
 Contact Resistance : 40mΩ(MAX.)  
 Insulation Resistance : 1000MΩ(MIN.)  
 Temperature Range : -55°C~+105°C



Poles	Dimensions			
	A	B	C	D
2*2P	2.50	5.90	7.60	3.10
2*3P	5.00	8.40	10.10	3.30
2*4P	7.50	10.90	12.60	3.30
2*5P	10.00	13.40	15.10	3.30
2*6P	12.50	15.90	17.60	8.30
2*8P	17.50	20.90	22.60	8.30
2*10P	22.50	25.90	27.60	8.30

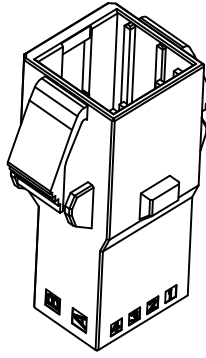
Material	Color
PBT UL94V-0	BLACK

	GENERAL TOLERANCES		SCALE: 1:1	NAME	DATE	深圳市思拓展电子有限公司 SHENZHEN SINOTOP ELECTRONICS CO., LTD 公司网址: www.szstuo.cn 公司电话: 0755-23765350 邮 箱: 2850175982@qq.com 公司传真: 0755-23765341	PART. NO: STP42501H00-2XNPA-PT
	LINEAR	ANGLES					
	0.0±0.35	X° REF±6°	DESIGNER			TITLE: 2.50mm PITCH Housing	DWG. NO:
UNIT: MM	0.00±0.25	X° ±3°	DRAWN	肖坤权	2017.06.16		REV: A0
SIZE: A4	0.000±0.15	X° X'±2°					SHEET: 1/1

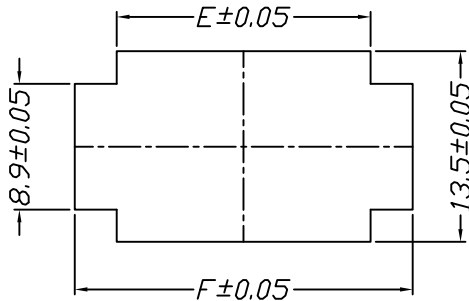
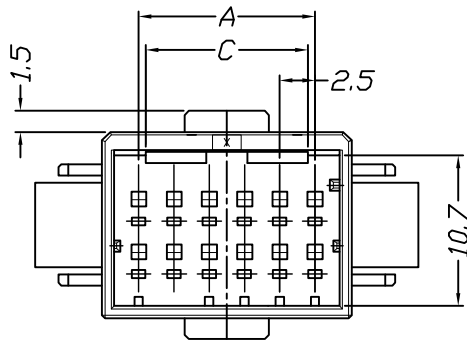
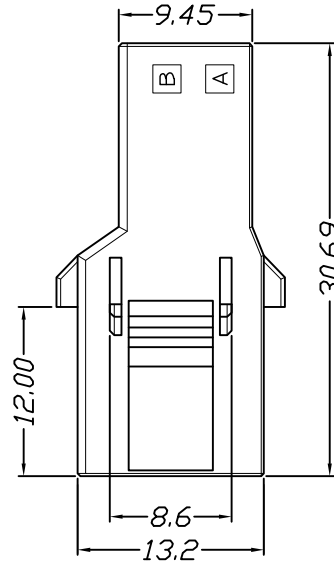
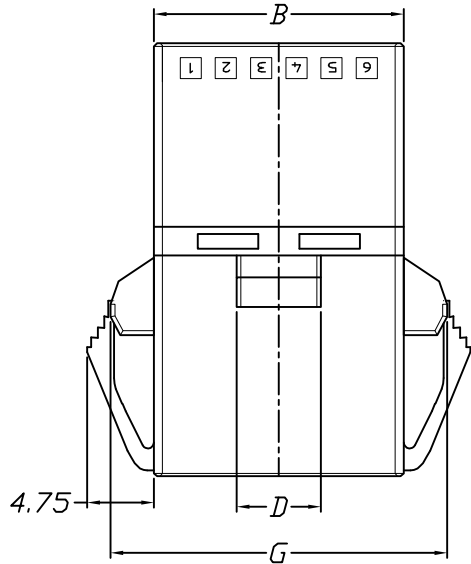


仅供参考

REV.	REVISION RECORD	DATE
A0	新图面发行	2017.06.16



Specifications:  
 Voltage Rating : 250V AC/DC  
 Current Rating : 5A AC,DC  
 Withstand Voltage : 1500V AC/minute  
 Contact Resistance : 40mΩ(MAX.)  
 Insulation Resistance : 1000MΩ(MIN.)  
 Temperature Range : -55°C~+105°C



RECOMMENDED PANEL LAYOUT  
 (APPLICABLE PANEL THICKNESS:  
 0.8-2.0)

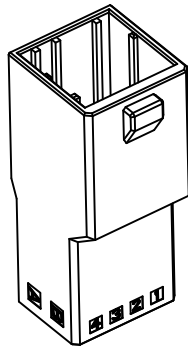
Poles	Dimensions						
	A	B	C	D	E	F	G
2*10P	22.5	27.7	11.5	6.0	28.0	34.0	33.88
2*6P	12.5	17.7	11.5	6.0	18.0	24.0	23.88
2*4P	7.5	12.7	4.0	4.0	13.0	19.0	18.88
2*3P	5.0	10.2	4.0	4.0	10.5	16.5	16.38

Material	Color
PBT UL94V-0	BLACK

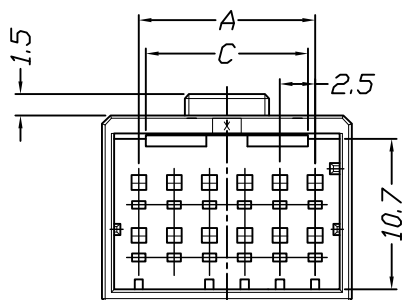
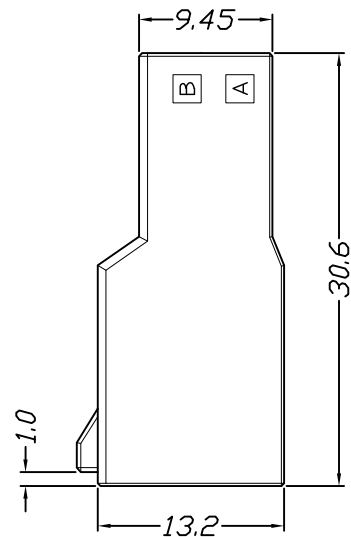
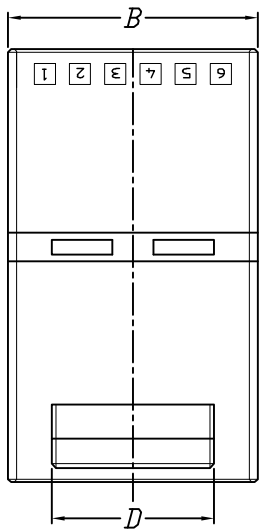
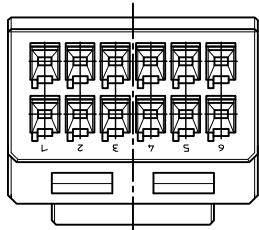
	GENERAL TOLERANCES		SCALE: 1:1	NAME	DATE	深圳市思拓展电子有限公司 SHENZHEN SINOTOP ELECTRONICS CO., LTD 公司网址: www.szstuo.cn 公司电话: 0755-23765350 电子邮箱: 2850175982@qq.com 公司传真: 0755-23765341	PART. NO: STP42501H00-2XNPA-2-PT
	LINEAR	ANGLES	APPROVED				DWG. NO:
UNIT: MM	0.00±0.25	X° REF±6°	DESIGNER			TITLE: 2.50mm PITCH Housing	REV: A0 SHEET: 1/1
SIZE: A4	0.000±0.15	X° X'±2°	DRAWN	肖坤权	2017.06.16		

仅供参考

REV.	REVISION RECORD	DATE
A0	新图面发行	2017.06.16



Specifications:  
 Voltage Rating : 250V AC/DC  
 Current Rating : 5A AC,DC  
 Withstand Voltage : 1500V AC/minute  
 Contact Resistance : 40mΩ(MAX.)  
 Insulation Resistance : 1000MΩ(MIN.)  
 Temperature Range : -55°C~+105°C



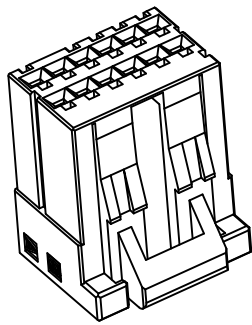
Poles	Dimensions			
	A	B	C	D
2*10P	22.5	27.7	11.5	11.5
2*6P	12.5	17.7	11.5	11.5
2*4P	7.5	12.7	4.0	4.0
2*3P	5.0	10.2	4.0	4.0

Material	Color
PBT UL94V-0	BLACK

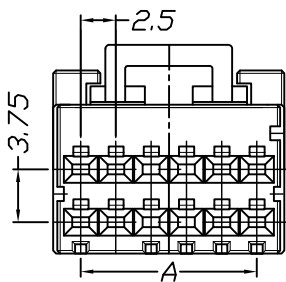
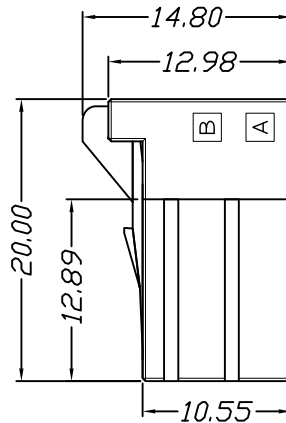
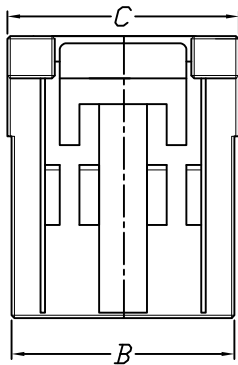
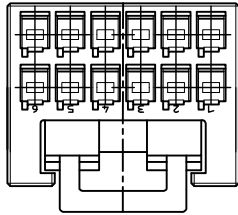
	GENERAL TOLERANCES		SCALE: 1:1	NAME	DATE	深圳市思拓展电子有限公司 SHENZHEN SINOTOP ELECTRONICS CO., LTD 公司网址: www.szstuo.cn 公司电话: 0755-23765350 邮箱: 2850175982@qq.com 公司传真: 0755-23765341	PART. NO: STP42501H00-2XNPA-3-PT
	LINEAR	ANGLES					
UNIT: MM	0.0±0.35	X° REF±6°	DESIGNER			TITLE:	DWG. NO:
SIZE: A4	0.000±0.15	X° X'±2°	DRAWN	肖坤权	2017.06.16	2.50mm PITCH Housing	REV: A0 SHEET: 1/1

仅供参考

REV.	REVISION RECORD	DATE
A0	新图面发行	2017.06.16



Specifications:  
 Voltage Rating : 250V AC/DC  
 Current Rating : 5A AC,DC  
 Withstand Voltage : 1500V AC/minute  
 Contact Resistance : 40mΩ(MAX.)  
 Insulation Resistance : 1000MΩ(MIN.)  
 Temperature Range : -55°C~+105°C



Poles	Dimensions		
	A	B	C
2*10P	22.5	25.8	26.4
2*8P	17.5	20.8	21.4
2*6P	12.5	15.8	16.4

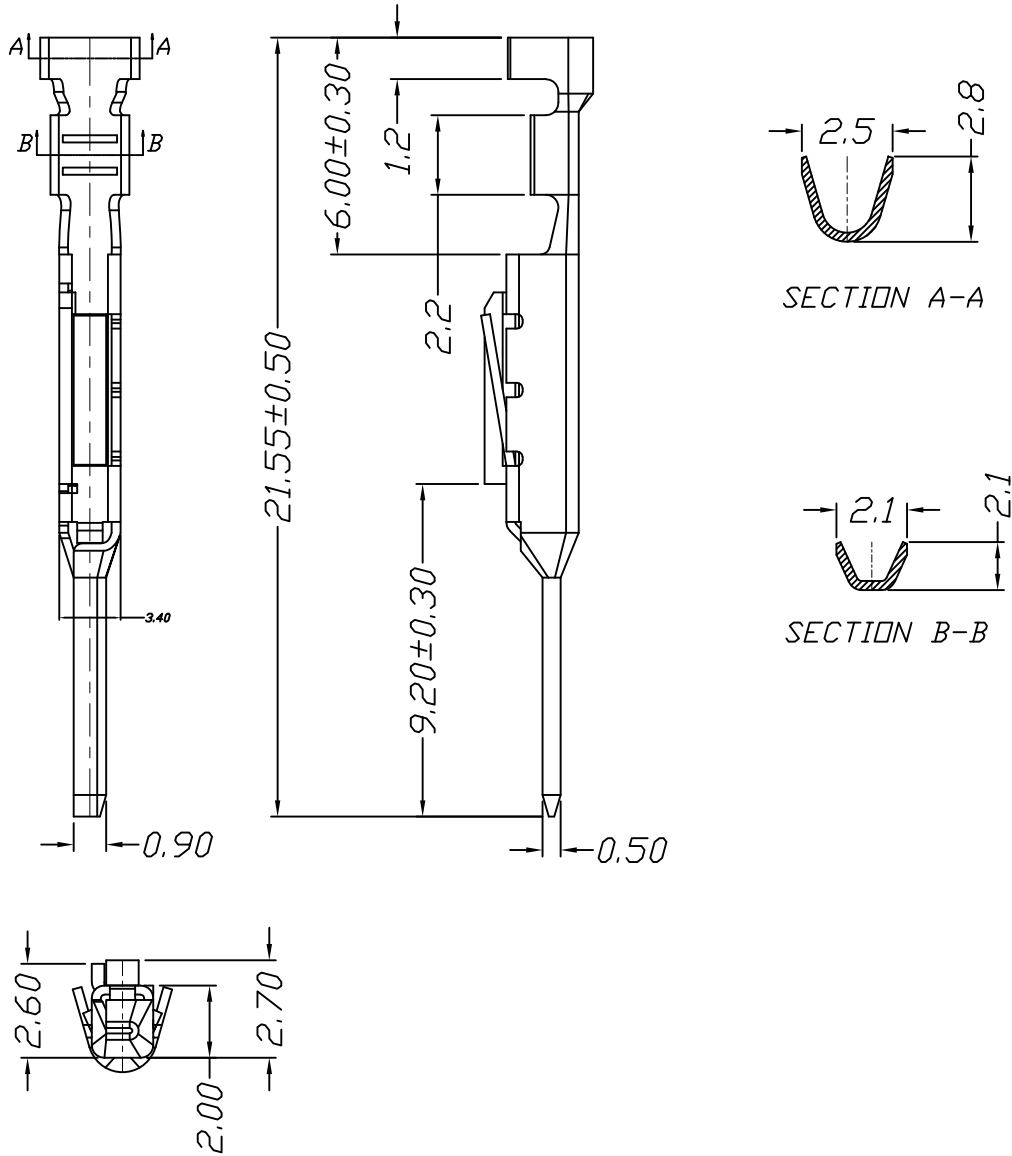
Material	Color
PBT UL94V-0	BLACK

	GENERAL TOLERANCES		SCALE: 1:1	NAME	DATE	深圳市思拓展电子有限公司 SHENZHEN SINOTOP ELECTRONICS CO., LTD 公司网址: <a href="http://www.szstuo.cn">www.szstuo.cn</a> 公司电话: 0755-23765350 邮箱: 2850175982@qq.com 公司传真: 0755-23765341	PART. NO: STP42501H00-2XNPA-4-PT
	LINEAR	ANGLES					
UNIT: MM	0.0±0.35	X° REF±6°	DESIGNER			TITLE:	DWG. NO:
SIZE: A4	0.00±0.25	X° ±3°	DRAWN	肖坤权	2017.06.16	2.50mm PITCH Housing	REV: A0 SHEET: 1/1
	0.00±0.15	X° X'±2°					

仅供参考

REV.	REVISION RECORD	DATE
A0	新图面发行	2017. 06. 16

Specifications:  
 Voltage Rating : 250V AC/DC  
 Current Rating : 5A AC,DC  
 Withstand Voltage : 1500V AC/minute  
 Contact Resistance : 40mΩ(MAX.)  
 Insulation Resistance : 1000MΩ(MIN.)  
 Temperature Range : -55°C~+105°C



Wire Range	Insulation O. D.	Material	Finish	Qty/Reel
AWG #18~#22	1.00mm(max)	Phosphor bronze	Au or Sn	

	GENERAL TOLERANCES		SCALE: 1:1	NAME	DATE	深圳市思拓展电子有限公司 SHENZHEN SINOTOP ELECTRONICS CO., LTD 公司网址: www.szstuo.cn 公司电话: 0755-23765350 邮箱: 2850175982@qq.com 公司传真: 0755-23765341	PART. NO: STP32501T0P-XX-X
	LINEAR	ANGLES	APPROVED				DWG. NO:
UNIT: MM	0.0±0.35	X° REF±6°	DESIGNER			TITLE: 2.50mm PITCH Crimp Terminal	REV: A0 SHEET: 1/1
SIZE: A4	0.000±0.15	X° X'±2°	DRAWN	肖坤权	2017. 06. 16		