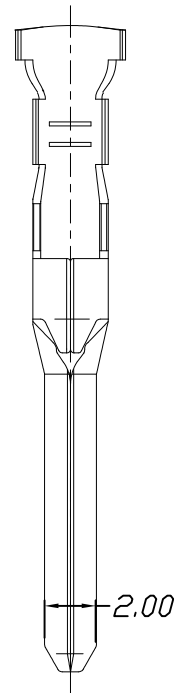
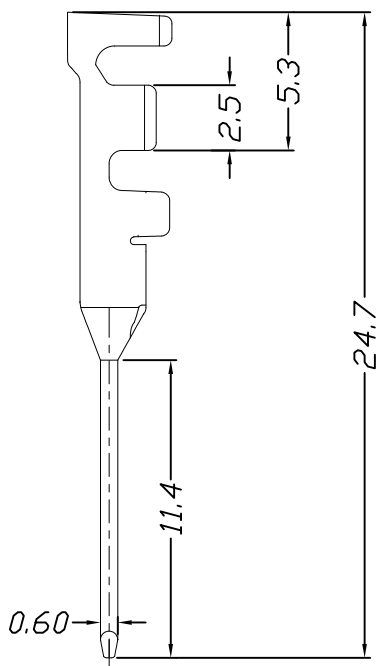


仅供参考

REV.	REVISION RECORD	DATE
A0	新图面发行	2017.06.16

Specifications:

Voltage Rating : 250V AC/DC
 Current Rating : 8A AC,DC
 Withstand Voltage : 1500V AC/minute
 Contact Resistance : 15mΩ(MAX.)
 Insulation Resistance : 1000V DC/1000MΩ(MIN.)
 Temperature Range : -55°C~+105°C

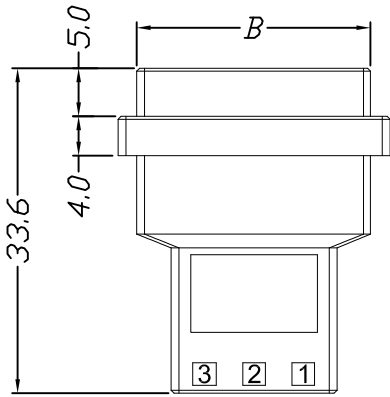


Part No	Wire Range	Insulation O. D.	Material	Finish
33812T 0P-**	AWG#28 -#24	0.8mm-1.4mm (1.4mm max)	Phosphor Bronze	Au or Sn
33812T 1P-**	AWG#24 -#20	1.2mm-2.6mm (2.6mm max)	Phosphor Bronze	Au or Sn
33812T 2P-**	AWG#20 -#16	1.8mm-2.8mm (2.8mm max)	Phosphor Bronze	Au or Sn
33812T 3P-**	AWG#16 -#14	2.4mm-3.4mm (3.4mm max)	Phosphor Bronze	Au or Sn

	GENERAL TOLERANCES		SCALE: 1:1	NAME	DATE	深圳市思拓展电子有限公司 SHENZHEN SINOTOP ELECTRONICS CO., LTD 公司网址: www.szstuo.cn 公司电话: 0755-23765350 邮 箱: 2850175982@qq.com 公司传真: 0755-23765341	PART. NO: STP33812T*P-**
	LINEAR	ANGLES	APPROVED				DWG. NO:
UNIT: MM	0.0±0.35	X° REF±6°	DESIGNER			TITLE: 3.81mm pitch Crimp Terminal	REV: A0 SHEET: 1/1
SIZE: A4	0.000±0.15	X° X'±2°	DRAWN	肖坤权	2017.06.16		

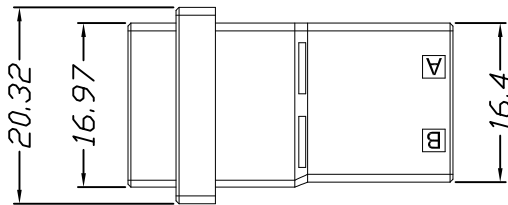
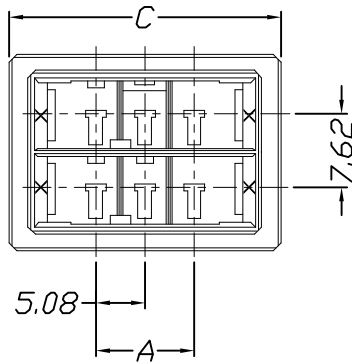
仅供参考

REV.	REVISION RECORD	DATE
A0	新图面发行	2017.06.16



Specifications:

Voltage Rating : 250V AC/DC
 Current Rating : 8A AC,DC
 Withstand Voltage : 1500V AC/minute
 Contact Resistance : 15mΩ(MAX.)
 Insulation Resistance : 1000V DC/1000MΩ(MIN.)
 Temperature Range : -55°C~+105°C

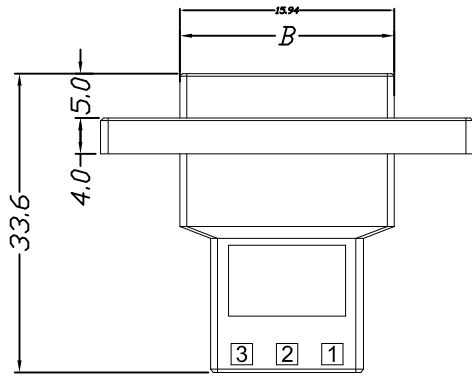


Part No.	Dimensions		
	A	B	C
2*3P	10.16	24.16	28.11
2*6P	25.40	39.40	43.35
Material		Color	
PBT,UL94V-0		Black	

	GENERAL TOLERANCES		SCALE: 1:1	NAME	DATE	深圳市思拓展电子有限公司 SHENZHEN SINOTOP ELECTRONICS CO., LTD 公司网址: www.szstuo.cn 公司电话: 0755-23765350 邮 箱: 2850175982@qq.com 公司传真: 0755-23765341	PART. NO: STP35082H00-NP*-PT
	LINEAR	ANGLES					
UNIT: MM	0.0±0.35	X° REF±6°	DESIGNER			TITLE:	DWG. NO:
SIZE: A4	0.000±0.15	X° X'±2°	DRAWN	肖坤权	2017.06.16	5.08mm pitch Dual Housing	REV: A0 SHEET: 1/1

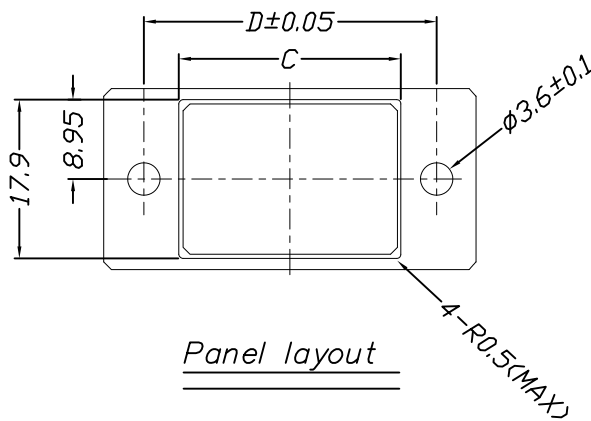
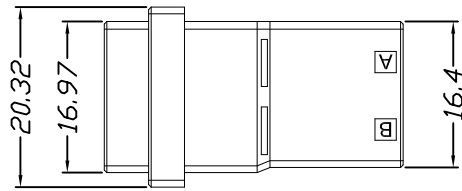
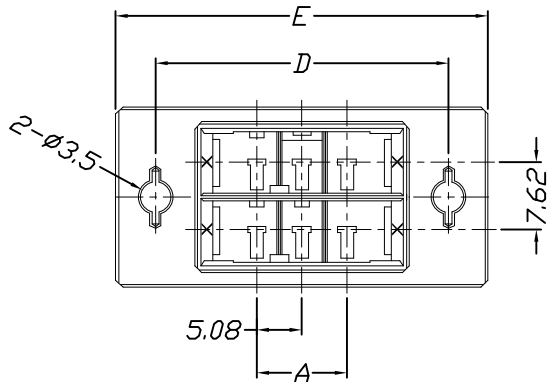
仅供参考

REV.	REVISION RECORD	DATE
A0	新图面发行	2017.06.16



Specifications:

Voltage Rating : 250V AC/DC
 Current Rating : 8A AC,DC
 Withstand Voltage : 1500V AC/minute
 Contact Resistance : 15mΩ(MAX.)
 Insulation Resistance : 1000V DC/1000MΩ(MIN.)
 Temperature Range : -55°C~+105°C



Part No.	Dimensions				
	A	B	C	D	E
2*2P	5.08	19.08	20.00	28.00	36.83
2*3P	10.16	24.16	25.00	33.00	41.91
2*4P	15.24	29.24	30.00	38.00	46.99
2*5P	20.32	34.32	35.83	43.83	52.83
2*6P	25.40	39.40	41.00	49.00	57.91
2*8P	35.56	49.56	51.00	59.07	68.07
2*10P	45.72	59.72	62.00	70.00	78.23
Material				Color	
PBT,UL94V-0				Black	

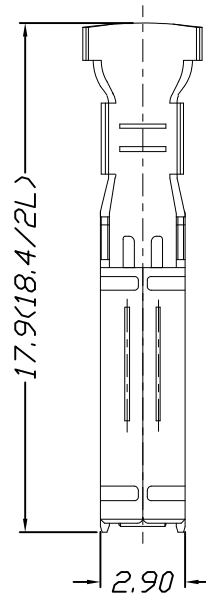
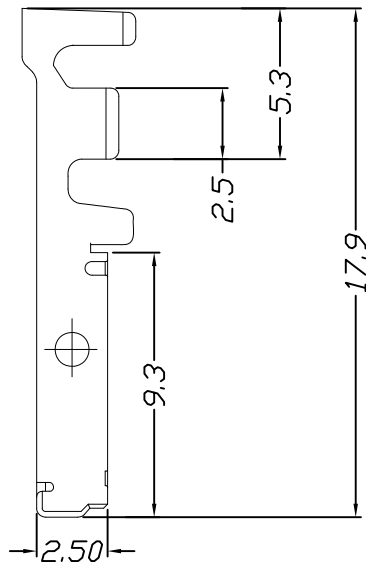
	GENERAL TOLERANCES		SCALE: 1:1	NAME	DATE	深圳市思拓展电子有限公司 SHENZHEN SINOTOP ELECTRONICS CO., LTD 公司网址: www.szsituo.cn 公司电话: 0755-23765350 邮箱: 2850175982@qq.com 公司传真: 0755-23765341	PART. NO:
	LINEAR	ANGLES	APPROVED				STP35082H01-NP*-PT
	0.0±0.35	X° REF±6°	DESIGNER				DWG. NO:
	UNIT: MM	0.00±0.25	X° ±3°	DRAWN	肖坤权		2017.06.16
SIZE: A4	0.000±0.15	X° X'±2°				TITLE:	SHEET: 1/1
			5.08mm pitch Dual Housing				

仅供参考

REV.	REVISION RECORD	DATE
A0	新图面发行	2017.06.16

Specifications:

Voltage Rating : 250V AC/DC
 Current Rating : 8A AC,DC
 Withstand Voltage : 1500V AC/minute
 Contact Resistance : 15mΩ(MAX.)
 Insulation Resistance : 1000V DC/1000MΩ(MIN.)
 Temperature Range : -55°C~+105°C



Part No	Wire Range	Insulation O. D.	Material	Finish
43812T 0P-**	AWG#28 -#24	0.8mm-1.4mm (1.4mm max)	Phosphor Bronze	Au or Sn
43812T 1P-**	AWG#24 -#20	1.2mm-2.6mm (2.6mm max)	Phosphor Bronze	Au or Sn
43812T 2P-**	AWG#20 -#16	1.8mm-2.8mm (2.8mm max)	Phosphor Bronze	Au or Sn
43812T 3P-**	AWG#16 -#14	2.4mm-3.4mm (3.4mm max)	Phosphor Bronze	Au or Sn

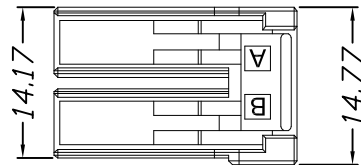
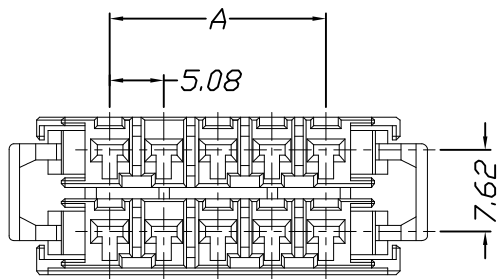
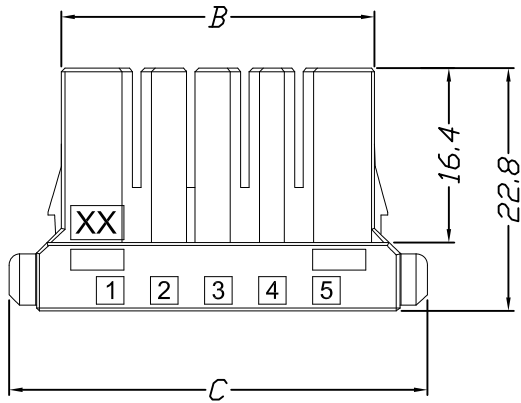
	GENERAL TOLERANCES		SCALE: 1:1	NAME	DATE	深圳市思拓展电子有限公司 SHENZHEN SINOTOP ELECTRONICS CO., LTD 公司网址: www.szstuo.cn 公司电话: 0755-23765350 邮 箱: 2850175982@qq.com 公司传真: 0755-23765341	PART. NO: STP43812T*P-**	
	LINEAR	ANGLES	APPROVED				DWG. NO:	
	0.0±0.35	X° REF±6°	DESIGNER				REV: A0	SHEET: 1/1
	UNIT: MM	0.00±0.25	X° ±3°	DRAWN	肖坤权		2017.06.16	TITLE: 3.81mm pitch Crimp Terminal
SIZE: A4	0.000±0.15	X° X'±2°						

仅供参考

REV.	REVISION RECORD	DATE
A0	新图面发行	2017.06.16

Specifications:

Voltage Rating : 250V AC/DC
 Current Rating : 8A AC,DC
 Withstand Voltage : 1500V AC/minute
 Contact Resistance : 15mΩ(MAX.)
 Insulation Resistance : 1000V DC/1000MΩ(MIN.)
 Temperature Range : -55°C~+105°C

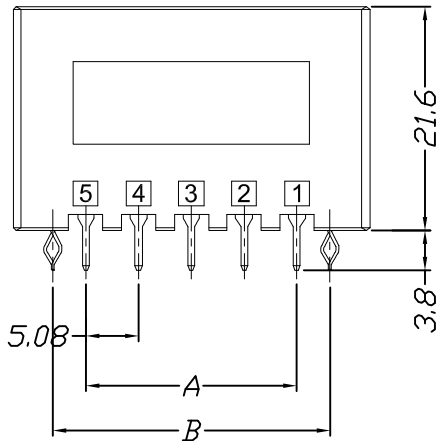


Part No.	Dimensions		
	A	B	C
2*3P	10.16	19.24	29.16
2*5P	20.32	29.40	29.32
2*6P	25.40	34.48	44.40
2*10P	45.72	54.80	64.72
Material		Color	
PBT,UL94V-0		Black	

	GENERAL TOLERANCES		SCALE: 1:1	NAME	DATE	深圳市思拓展电子有限公司 SHENZHEN SINOTOP ELECTRONICS CO., LTD 公司网址: www.szsituo.cn 公司电话: 0755-23765350 邮 箱: 2850175982@qq.com 公司传真: 0755-23765341	PART. NO: STP45082H00-NP*-PT
	LINEAR	ANGLES	APPROVED				DWG. NO:
	0.0±0.35	X° REF±6°	DESIGNER				
	UNIT: MM	0.00±0.25	X° ±3°	TITLE:			
SIZE: A4	0.000±0.15	X° X'±2°	DRAWN	肖坤权	2017.06.16	5.08mm pitch Dual Housing	

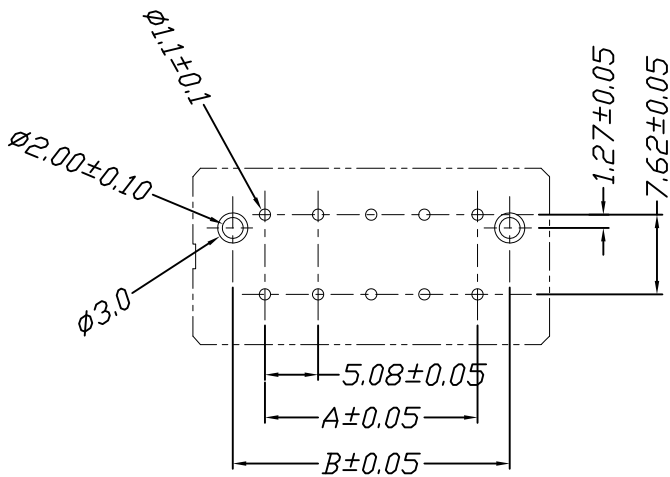
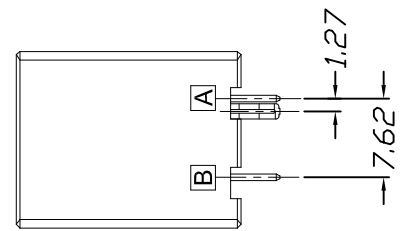
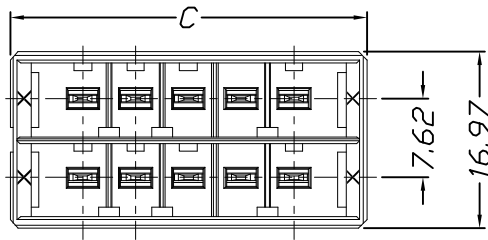
仅供参考

REV.	REVISION RECORD	DATE
A0	新图面发行	2017.06.16



Specifications:

Voltage Rating : 250V AC/DC
 Current Rating : 8A AC,DC
 Withstand Voltage : 1500V AC/minute
 Contact Resistance : 15mΩ(MAX.)
 Insulation Resistance : 1000V DC/1000MΩ(MIN.)
 Temperature Range : -55°C~+105°C



P.C.B. LAYOUT

Part No.	Dimensions		
	A	B	C
2*3P	10.16	16.51	24.16
2*5P	20.32	26.67	34.32
2*6P	25.40	31.75	39.40

Material	Color	PIN Material	Stator Material
NYLON&PBT,UL94V-0	Black	Brass/Tin-plated	Brass/Tin-plated

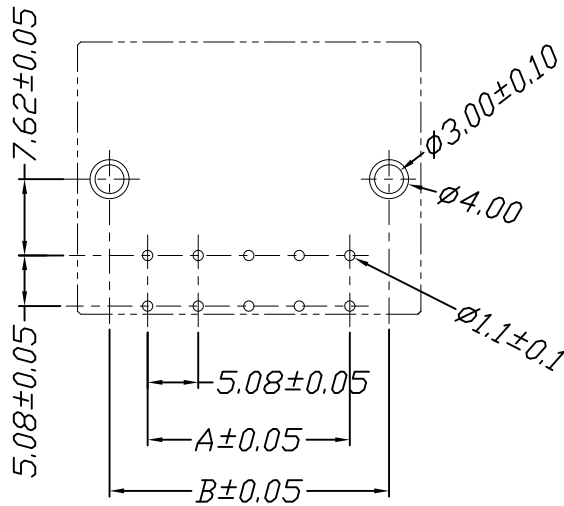
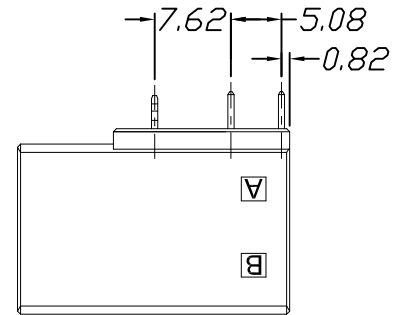
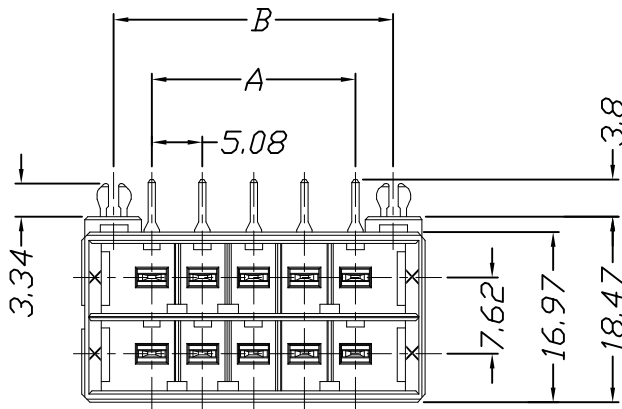
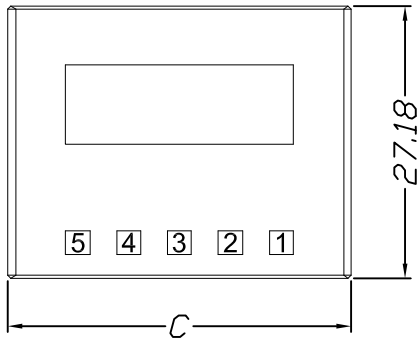
	GENERAL TOLERANCES		SCALE: 1:1	NAME	DATE	深圳市思拓展电子有限公司 SHENZHEN SINOTOP ELECTRONICS CO., LTD 公司网址: www.szstuo.cn 公司电话: 0755-23765350 邮箱: 2850175982@qq.com 公司传真: 0755-23765341	PART. NO: STP45082W00-NP*-A1-***		
	LINEAR	ANGLES					APPROVED	DESIGNER	DRAWN
	0.0±0.35	X° REF±6°	DESIGNER	TITLE:	5.08mm pitch Dual Wafer		REV: A0		
	UNIT: MM	0.00±0.25	X° ±3°						
SIZE: A4	0.000±0.15	X° X'±2°							

仅供参考

REV.	REVISION RECORD	DATE
A0	新图面发行	2017.06.16

Specifications:

Voltage Rating : 250V AC/DC
 Current Rating : 8A AC,DC
 Withstand Voltage : 1500V AC/minute
 Contact Resistance : 15mΩ(MAX.)
 Insulation Resistance : 1000V DC/1000MΩ(MIN.)
 Temperature Range : -55°C~+105°C



P.C.B. LAYOUT

Part No.	Dimensions		
	A	B	C
2*3P	10.16	17.78	24.16
2*4P	15.24	22.86	29.24
2*5P	20.32	27.94	34.32
2*6P	25.40	33.02	39.40

Material	Color	PIN Material	Stator Material
NYLON&PBT,UL94V-0	Black	Brass/Tin-plated	Brass/Tin-plated

	GENERAL TOLERANCES		SCALE: 1:1	NAME	DATE	深圳市思拓展电子有限公司 SHENZHEN SINOTOP ELECTRONICS CO., LTD 公司网址: www.szstuo.cn 公司电话: 0755-23765350 邮箱: 2850175982@qq.com 公司传真: 0755-23765341	PART. NO:
	LINEAR	ANGLES	APPROVED				STP45082W90-NP*-A1-**
	0.0±0.35	X° REF±6°	DESIGNER				DWG. NO:
	UNIT: MM	0.00±0.25	X° ±3°	DRAWN	肖坤权		2017.06.16